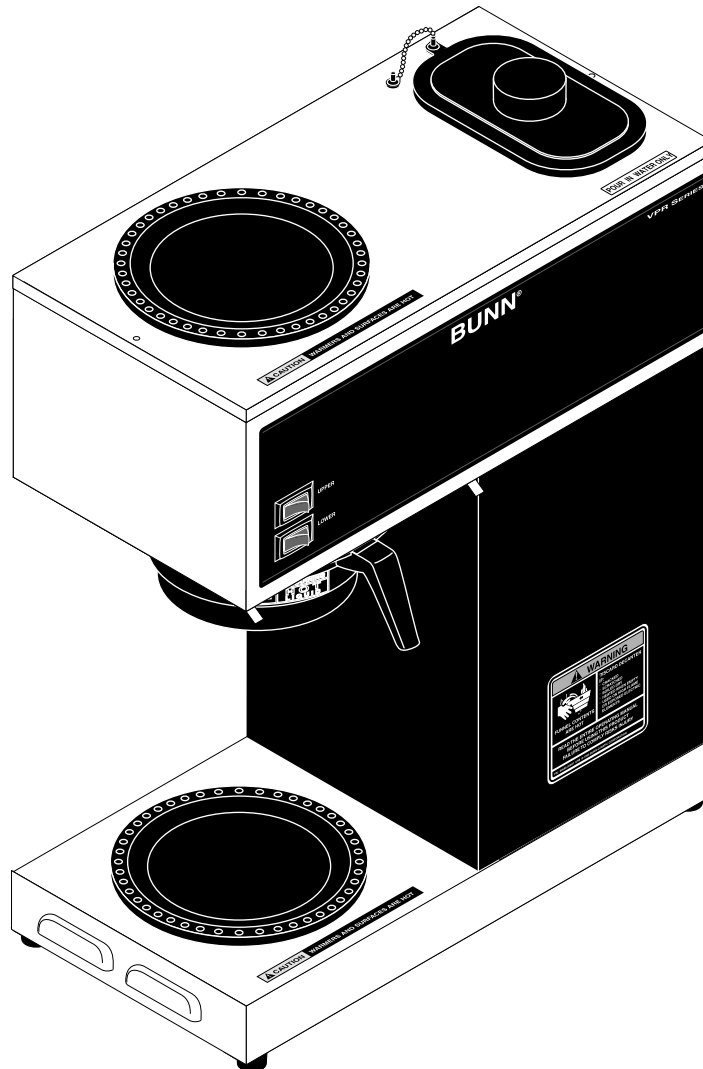


BUNN®

VPR

(Serial # VPR0270000 & up)



ILLUSTRATED PARTS CATALOG

Designs, materials, weights, specifications, and dimensions for equipment or replacement parts are subject to change without notice.

BUNN-O-MATIC CORPORATION

POST OFFICE BOX 3227

SPRINGFIELD, ILLINOIS 62708-3227

PHONE: (217) 529-6601 FAX: (217) 529-6644

WARRANTY

Bunn-O-Matic Corp. ("Bunn") warrants the equipment manufactured by it to be commercially free from defects in material and workmanship existing at the time of manufacture and appearing within one year from the date of installation. In addition:

1.) Bunn warrants electronic circuit and/or control boards to be commercially free from defects in material and workmanship for three years from the date of installation.

2.) Bunn warrants the compressor on refrigeration equipment to be commercially free from defects in material and workmanship for two years from the date of installation.

3.) Bunn warrants that the grinding burrs on coffee grinding equipment will grind coffee to meet original factory screen sieve analysis for three years from date of installation or for 30,000 pounds of coffee, whichever comes first.

This warranty does not apply to any equipment, component or part that was not manufactured by Bunn or that, in Bunn's judgement, has been affected by misuse, neglect, alteration, improper installation or operation, improper maintenance or repair, damage or casualty.

THE FOREGOING WARRANTY IS EXCLUSIVE AND IS IN LIEU OF ANY OTHER WARRANTY, WRITTEN OR ORAL, EXPRESS OR IMPLIED, INCLUDING, BUT NOT LIMITED TO, ANY IMPLIED WARRANTY OF EITHER MERCHANTABILITY OR FITNESS FOR A PARTICULAR PURPOSE. The agents, dealers or employees of Bunn are not authorized to make modifications to this warranty or to make additional warranties that are binding on Bunn. Accordingly, statements by such individuals, whether oral or written, do not constitute warranties and should not be relied upon.

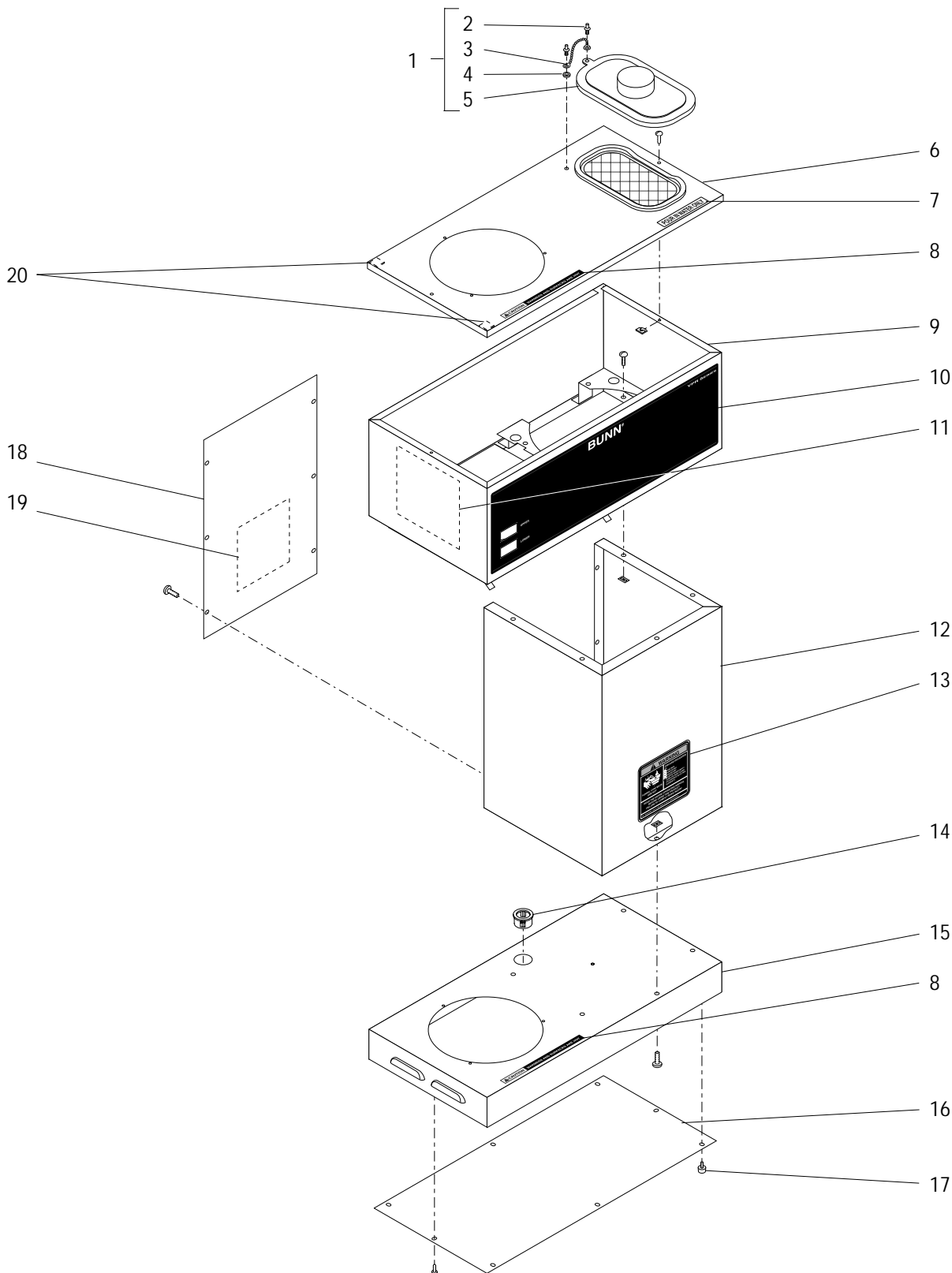
The Buyer shall give Bunn prompt notice of any claim to be made under this warranty by telephone at (217) 529-6601 or by writing to Post Office Box 3227, Springfield, Illinois, 62708-3227. If requested by Bunn, the Buyer shall ship the defective equipment prepaid to an authorized Bunn service location. If Bunn determines, in its sole discretion, that the equipment does not conform to the warranty, Bunn shall repair the equipment with no charge for parts during the warranty period and no charge for labor by a Bunn Authorized Service Representative during the warranty period. If Bunn determines that repair is not feasible, Bunn shall, at its sole option, replace the equipment or refund the purchase price for the equipment.

THE BUYER'S REMEDY AGAINST BUNN FOR THE BREACH OF ANY OBLIGATION ARISING OUT OF THE SALE OF THIS EQUIPMENT, WHETHER DERIVED FROM WARRANTY OR OTHERWISE, SHALL BE LIMITED, AS SPECIFIED HEREIN, TO REPAIR OR, AT BUNN'S SOLE OPTION, REPLACEMENT OR REFUND.

In no event shall Bunn be liable for any other damage or loss, including, but not limited to, lost profits, lost sales, loss of use of equipment, claims of Buyer's customers, cost of capital, cost of down time, cost of substitute equipment, facilities or services, or any other special, incidental or consequential damages.

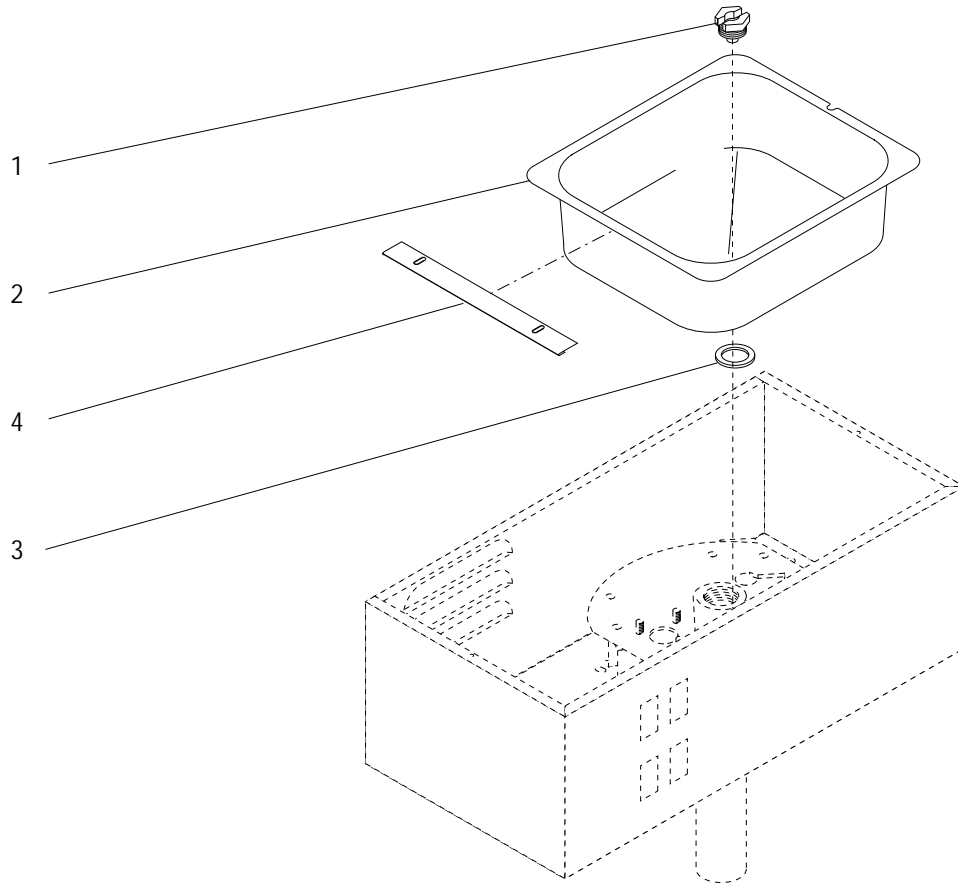
TABLE OF CONTENTS

Electrical and Operating Controls	10
Funnels, Pitcher and Filter Basket	12
Fill Basin	6
Hood, Trunk, Base and Panels	4
Galley Kit	14
Numerical Index	16
Tank and Components	8



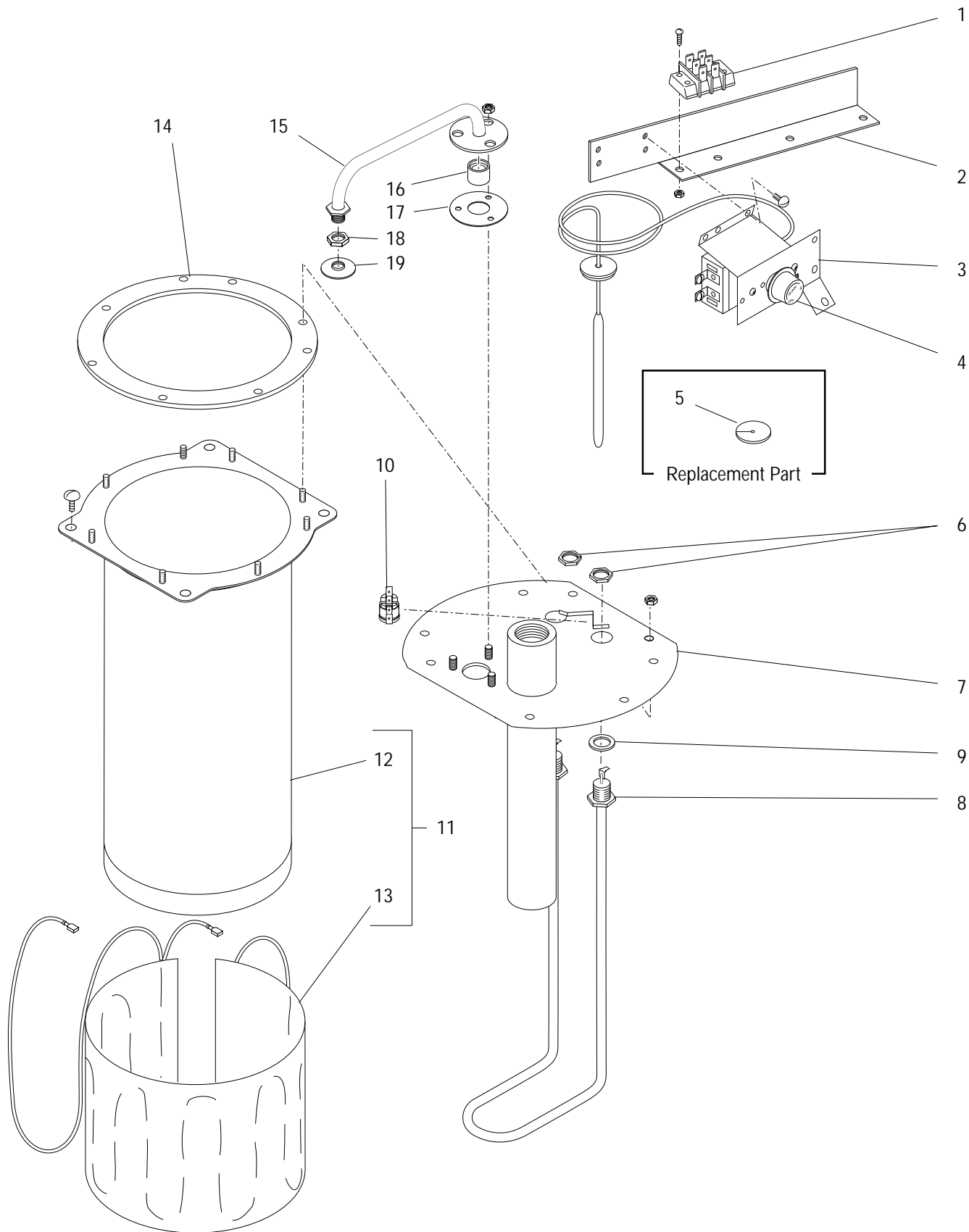
HOOD, TRUNK, BASE AND PANELS

ITEM	PART NO.	QTY.	DESCRIPTION
1	12981.0001	1	Lid/Chain Kit (Includes items 2 thru 5)
2	20615.0000	2	Rivet, Drive .187" Dia.
3	12978.0000	1	Chain Assembly, Lid
4	20616.0000	1	Washer, Nylon .194" I.D.
5	13110.0000	1	Lid, Pour-In
6	33797.0000	1	Cover Assembly, Top W/Decal (Includes items 7,8 & 20)
	01303.0000	2	Screw, Pan Head #4-40 x .50"
	00916.0000	2	Fastener, J-Type #4-40
7	00833.0000	1	Decal, Pour In Water Only
8	12364.0000	1	Decal, Caution - WARMERS ARE HOT
9	25131.0000	1	Hood Assembly, W/Decal (Includes Items 10 & 11)
	01311.0000	5	Screw, Truss Head #8-32 x .25"
	00978.0000	5	Fastener, Flat Type #8-32
10	33214.0000	1	Decal, Control Panel
11	33769.0000	1	Decal, Schematic-Electrical
12	33767.0000	1	Housing, Trunk Front (Includes item 13)
13	00658.0000	1	Decal, Caution - Decanter/Funnel
14	01663.0000	1	Bushing, Snap - .875" Dia
15	33766.0000	1	Housing, Base (Includes item 8)
	01311.0000	5	Screw, Truss Head #8-32 x .25"
	00978.0000	5	Fastener, Flat Type #8-32
16	33210.0000	1	Cover, Base
	02332.0002	4	Screw, Hex-Crimptite #6-32 x .375"
17	-----	4	Foot, Rubber - .75 OD x .44 HT (Order item 21)
18	33768.0000	1	Panel W/Decals, Trunk Rear (Includes item 19)
	02322.0002	6	Screw, Truss Head Blk #8-32 x .375"
	00912.0000	6	Fastener, J Type #8-32
	01511.0000	6	Lockwasher, Ext. Tooth #8
19	00831.0000	1	Decal, Warning-Electrical
20	29894.0000	2	Pad, Adhesive (Effective models December 2001 and up)
21	04198.0001	-	Kit, Foot (Includes 4 of item 17)



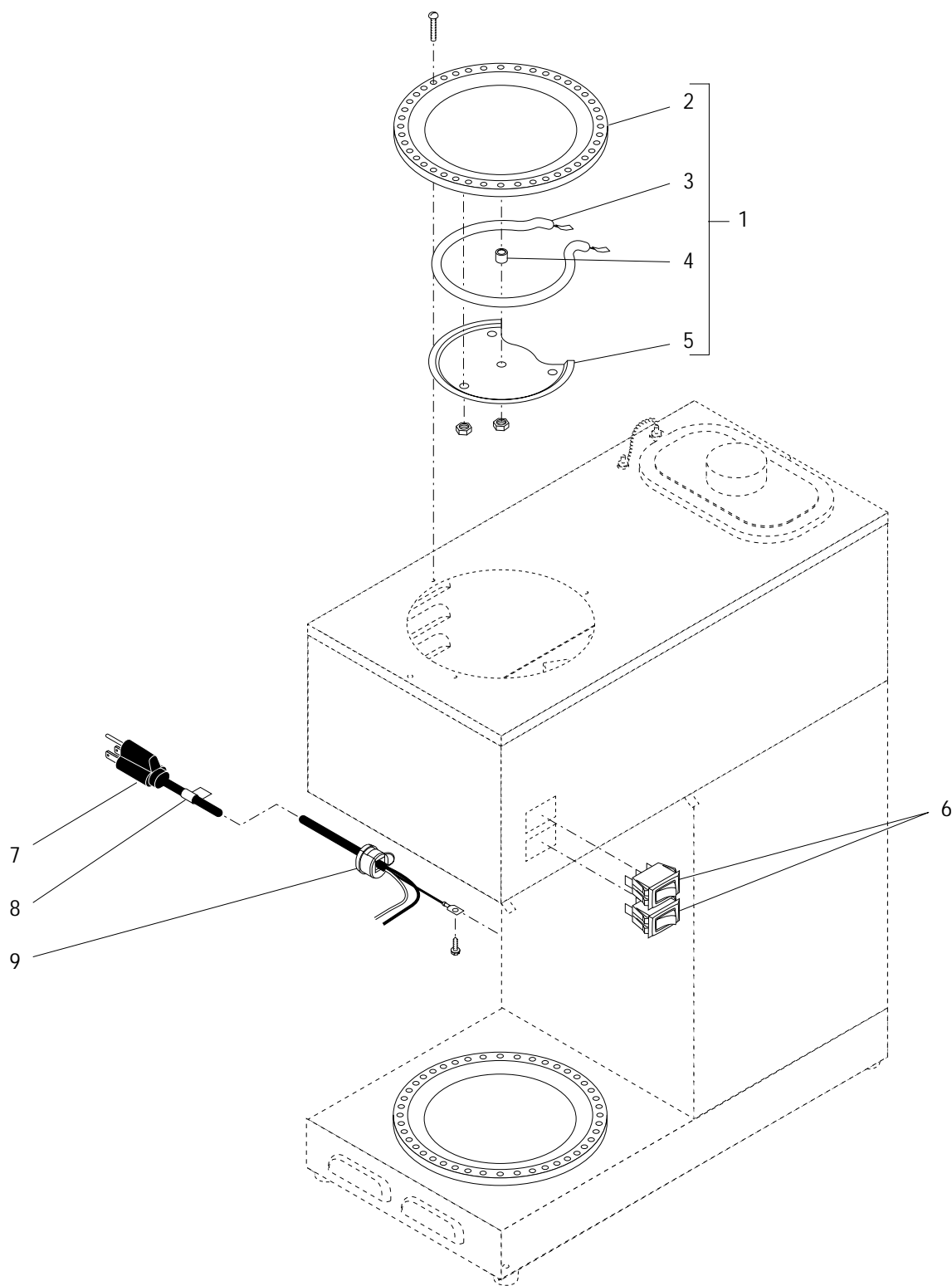
FILL BASIN

ITEM	PART NO.	QTY.	DESCRIPTION
1	01212.0000	1	Fitting, Tank Inlet
2	06220.0000	1	Fill Basin (SST)
3	01201.0000	1	Gasket, Tank Inlet
4	11424.0000	1	Plate, Splash Guard



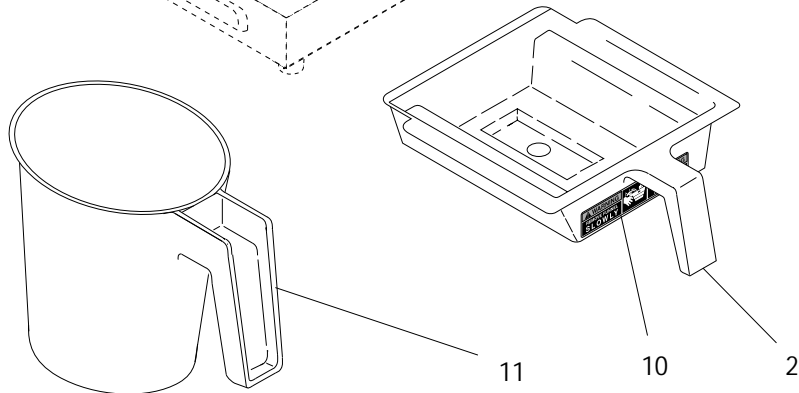
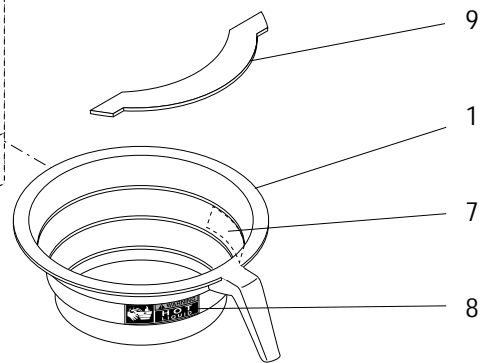
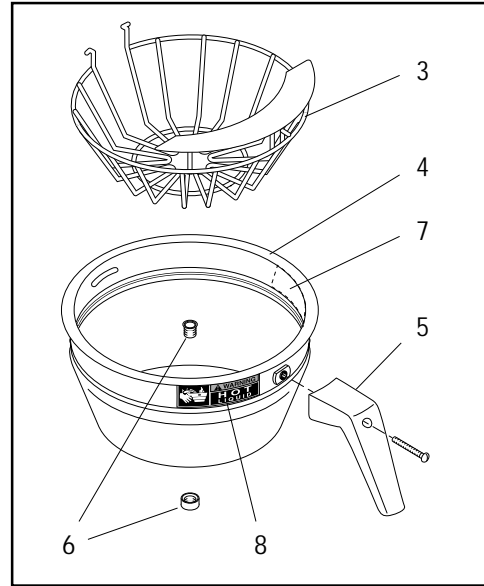
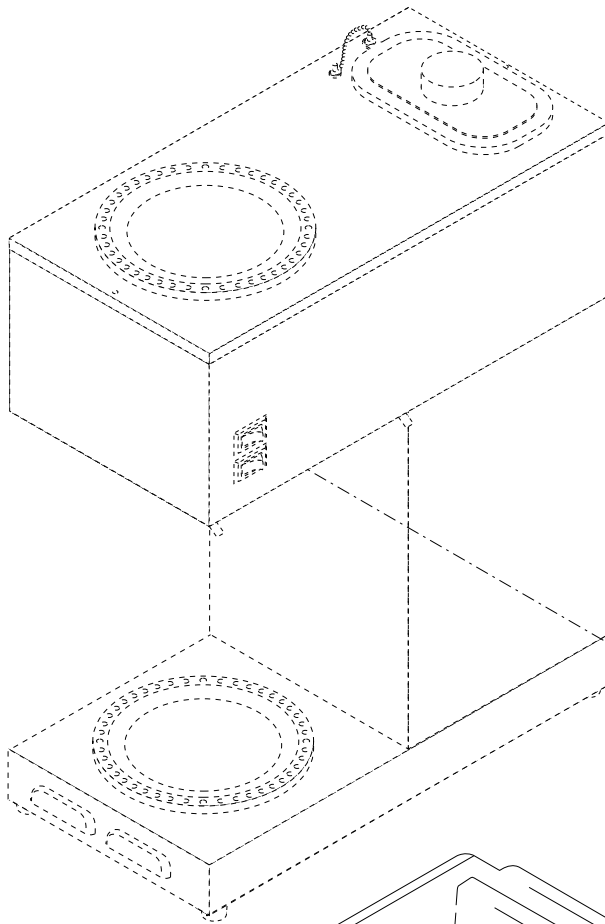
TANK AND COMPONENTS

ITEM	PART NO.	QTY.	DESCRIPTION
-	05697.0006	1	Tank Assembly, 1320W 120V (Includes items 1 thru 17 & 20 thru 23)
	01315.0000	2	Screw, Truss Head (SST) 8-32 x .38"
1	04309.0000	1	Terminal Block
	01390.0000	2	Screw, Round Head (SST) 8-32 x .62"
	00970.0000	2	Nut, Keps 8-32
2	04307.0000	1	Bracket Assembly, Thermostat/Terminal Block Mounting
3	28319.0000	1	Thermostat Kit (Includes items 4 & 5)
	01311.0000	2	Screw, Truss Head (SST) 8-32 x .25"
	20762.0000	2	Screw, Binding Head 8-32 x .25" (Terminal Screws)
4	00720.0000	1	Knob, Thermostat
5	07073.0000	1	Grommet, Thermostat
6	00942.0000	2	Nut, Hex - Brass .50"-20
7	05545.0000	1	Tank Lid Assembly
	00908.0000	8	Nut, Hex 8-32
8	04236.1000	1	Tank Heater Kit 1320W 120V (Includes item 9)
9	00943.0000	2	Gasket, Tank Heater
10	29329.1000	1	Thermostat, Limit (Not used on "A" Models)
11	04119.0001	1	Tank W/Blanket Warmer 120V (Includes items 12 & 13)
12	04118.0000	1	Tank
13	20264.0000	1	Blanket Warmer, 55W 120V
14	04221.0000	1	Gasket, Tank Lid
15	05555.0002	1	Sprayhead Tube Kit (Includes 3 mounting nuts below, items 16 & 17)
	00908.0000	3	Nut, Hex 8-32
16	05518.0000	1	Hub, Syphon
17	05515.0000	1	Gasket, Sprayhead Tube
18	01075.0000	1	Nut, Hex .438"-20
19	01082.0000	1	Sprayhead, 6-Hole
Note: The following items are not illustrated			
20	21016.0005	1	Lead, Elec - Wht 12" Terminal Block to Heater
21	21016.0244	1	Lead, Elec - Blk 10" Terminal Block to Control Thermostat
22	21016.0029	1	Lead, Elec - Blu/Blk 23" Control Thermo to Limit Thermostat
23	21016.0008	1	Lead, Elec - Blk 4" Limit Thermo to Tank Heater



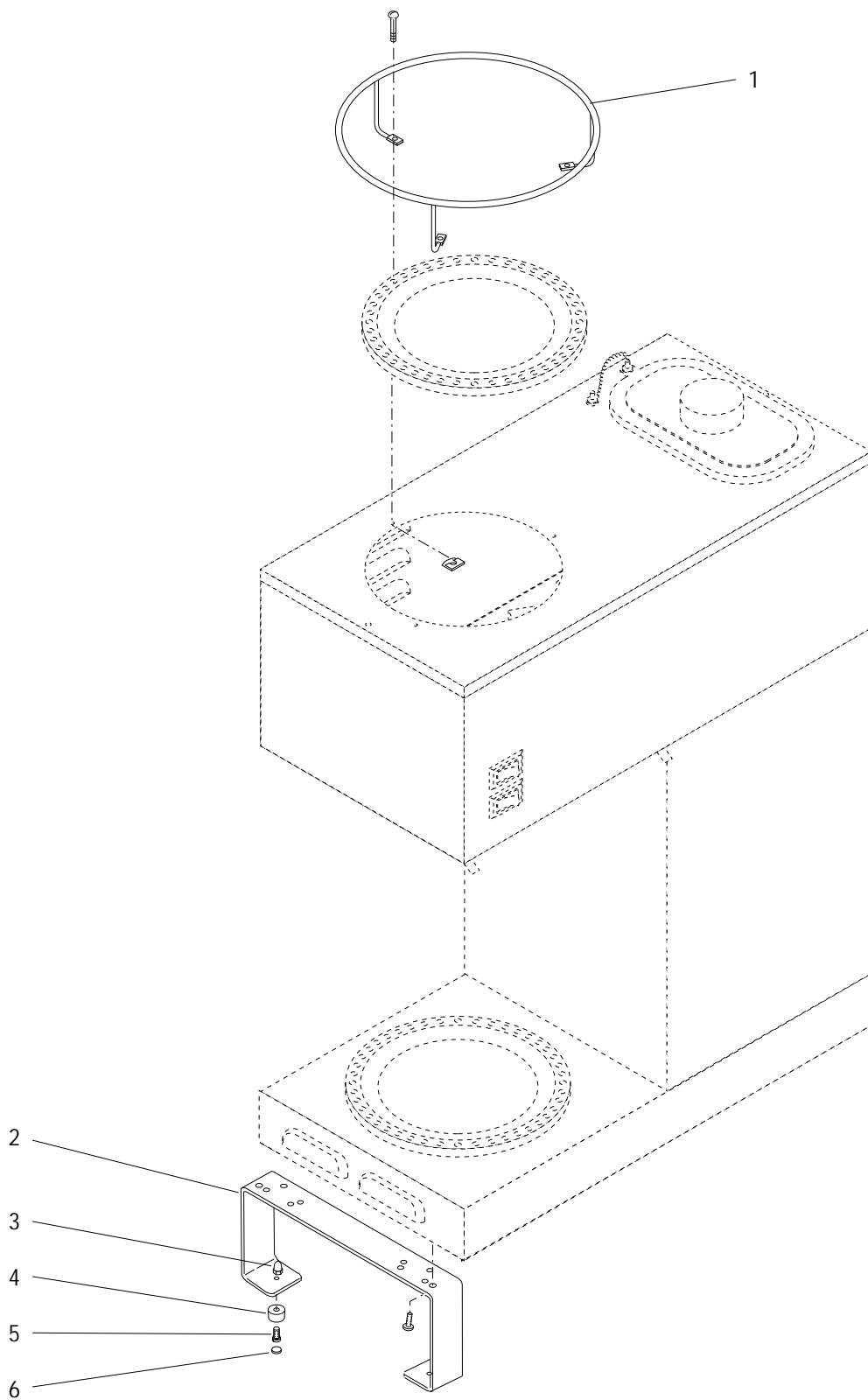
ELECTRICAL AND OPERATING CONTROLS

ITEM	PART NO.	QTY.	DESCRIPTION
1	03652.0000	2	Warmer Assembly, Blk 100W 120V (Includes Items 2 thru 5)
	01303.0000	6	Screw, Pan Head #4-40 x .50"
	00916.0000	6	Fastener, J-Type
2	03656.0000	1	Warmer Dish, Blk
3	01227.0000	1	Warmer Element, 100W 120V
4	13042.0001	1	Spacer, .174" I.D. .188"
5	05212.0000	1	Plate, Warmer Retainer
	00970.0000	2	Nut, Keps #8-32
6	33213.0000	2	Switch, On/Off Toggle
7	01637.0000	1	Cord Assembly, Power (Includes item 8)
	02337.0001	1	Screw, Ground #10 x .375"
8	06064.0000	1	Label, Cord Warning
9	01686.0000	1	Bushing, Strain Relief - Nylon
10	33964.0000	1	Wiring Harness, 120V (Not illustrated)



FUNNELS, PITCHER AND FILTER BASKET

ITEM	PART NO.	QTY.	DESCRIPTION
1	20583.0003	1	Funnel W/Decals, Plastic - Blk
	20583.0006	1	Funnel W/Decals, Plastic - Orn
	20216.0000	1	Funnel, SST W/Black Handle (7.125" Dia.) (Includes Items 3 thru 8)
	20216.0001	1	Funnel, SST W/Orange Handle (7.125" Dia.) (Includes items 3 thru 8)
2	02774.0011	1	Funnel W/Decals, Pouch Pack - Blk (Small)
	04274.0012	1	Funnel W/Decals, Pouch Pack - Blk (Large)
3	33088.0000	1	Filter Basket w/Splash Guard
4	28553.0000	1	Funnel, SST (Includes items 7 & 8)
5	20244.1000	1	Handle, Black
	20244.1001	1	Handle, Orange
	01331.0002	1	Screw, Round Head 10-32 x 1.50"
6	01031.0000	1	Funnel Tip Kit
7	03408.0002	1	Decal, Warning-Remove Funnel
8	03409.0002	1	Decal, Warning-Hot Liquid
9	32964.0000	1	Splash Guard
10	28694.0000	1	Decal, Warning-Hot Liquid/Remove Funnel
11	04238.0000	1	Pitcher, 64 oz - Plastic



GALLEY KIT

ITEM	PART NO.	QTY.	DESCRIPTION
-	24783.0000	1	Galley Kit (Includes items 1, 2, 3 & 5)
1	24730.0000	2	Galley Rail, SST
	01303.0000	3	Screw, Pan Head (SST) 4-40 x .50"
	00916.0000	3	Fastener, J-Type (SST) 4-40
2	02776.0000	2	Leg, Extension - 3.50HT
	02332.0002	4	Screw, Hex-Crimptite 6-32 x .38"
3	02324.0000	4	Nut, Acorn (SST) 8-32
4	03995.0000	4	Foot, Rubber
5	01390.0000	4	Screw, Round Head - Phillip (SST) 8-32 x .62"
6	03992.0000	4	Plug, Foot

NUMERICAL INDEX

PART NO.	PAGE NO.	PART NO.	PAGE NO.	PART NO.	PAGE NO.	PART NO.	PAGE NO.
00658.0000	5	06220.0000	7				
00720.0000	9	07073.0000	9				
00831.0000	5	11424.0000	7				
00833.0000	5	12364.0000	5				
00908.0000	9	12978.0000	5				
00912.0000	5	12981.0001	5				
00916.0000	5,11,15	13042.0001	11				
00942.0000	9	13110.0000	5				
00943.0000	9	20216.0000	13				
00970.0000	9,11	20216.0001	13				
00978.0000	5	20244.1000	13				
01031.0000	13	20244.1001	13				
01075.0000	9	20264.0000	9				
01082.0000	9	20583.0003	13				
01201.0000	7	20583.0006	13				
01212.0000	7	20615.0000	5				
01227.0000	11	20616.0000	5				
01303.0000	11	20762.0000	9				
01303.0000	5,15	21016.0005	9				
01311.0000	5,9	21016.0008	9				
01315.0000	9	21016.0029	9				
01331.0002	13	21016.0244	9				
01390.0000	9,15	24730.0000	15				
01511.0000	5	24783.0000	15				
01637.0000	11	25131.0000	5				
01663.0000	5	28319.0000	9				
01686.0000	11	28553.0000	13				
02322.0002	5	28694.0000	13				
02324.0000	15	29329.1000	9				
02332.0002	5,15	29894.0000	5				
02337.0001	11	32964.0000	13				
02774.0011	13	33088.0000	13				
02776.0000	15	33210.0000	5				
03408.0002	13	33213.0000	11				
03409.0002	13	33214.0000	5				
03652.0000	11	33766.0000	5				
03656.0000	11	33767.0000	5				
03992.0000	15	33768.0000	5				
03995.0000	15	33769.0000	5				
04118.0000	9	33797.0000	5				
04119.0001	9	33964.0000	11				
04198.0001	5						
04221.0000	9						
04236.1000	9						
04238.0000	13						
04274.0012	13						
04307.0000	9						
04309.0000	9						
05212.0000	11						
05515.0000	9						
05518.0000	9						
05545.0000	9						
05555.0002	9						
05697.0006	9						
06064.0000	11						