

ITEM# _____

PROJECT _____

DATE _____

12 Cup Dual-Voltage Automatic Coffee Brewer with 3 Warmers

Features

Dual-Voltage Automatic Coffee Brewer

- Brews 3.8 to 7.5 gallons (14.4 to 28.4 liters) of perfect coffee per hour.
- Model is space-saving 8.5" (21.6 cm) wide.
- All stainless steel construction.
- Hot water faucet and pourover feature on all models.
- SplashGard® funnel deflects hot liquids away from the hand.

**Dual voltage adaptable, can operate at 120V/15amp or 208-240V/20amp.*



Model CWTF-DV

(2 top warmers)

(decanters sold separately)

Dimensions: 18.9" H x 8.5" W x 17.8" D
(48cm H x 21.6cm W x 45.2cm D)



Model CWTF-DV

(3 lower warmers)

(decanters sold separately)

Dimensions: 17" H x 16.5" W x 17.7" D
(43.2cm H x 41.9cm W x 45cm D)

For current specification sheets and other information, go to www.bunn.com.

Related Products

Easy Clear® EQ-17-TL

Product No. : 30200.1000

Dimensions:

12⁷/₁₆" H x 2¹/₂" W x 3" D
31.6 cm H x 6.35 cm W x 7.62 cm D



Paper Filter Pack

Product No. : 20115.6000

Packed per case: 1,000

Dimensions: 4¹/₄" Base x 2³/₄" Sidewall
10.8 cm Base x 6.98 cm Sidewall



WX1-warmer

Product No. : 06450.6000

One position warmer



Easy Clear® ED-17-TL

Product No. : 30201.1001

Dimensions: 8¹/₄" H x 2⁵/₁₆" Dia.

20.95 cm H x 5.87 cm Dia.

Easy Pour® black decanter

Product No. : 06100.0201

Quantity: 1 (also packaged in quantities of 3 & 24)



WX2-warmer

Product No. : 06310.6000

Two position warmer



Easy Pour® orange decanter (for decaf)

Product No. : 06101.0201

Quantity: 1 (also packaged in quantities of 3 & 24)



Model

CWTF-DV

Agency Listing



Dimensions & Specifications



Model	Product #	Volts	Amps	Tank Htr Watts	Total Watts	Capacity per hour	Cubic Ft ³ /m ³	Weight lbs/kg	Cord Attached
CWTF-DV	12950.6100	120	12.1	1150	1450	3.8 gal/14.4 liter	4.0/.11	35 /15.9	No
(2 upper, 1 lower warmer)		120/208*	11.6	2110	2410	6.5 gal/24.6 liter	4.0/.11	35 /15.9	
		120/240*	13.5	2950	3250	7.0 gal/26.5 liter	4.0/.11	35 /15.9	
CWTF-DV	12950.6101	120	12.1	1150	1450	3.8 gal/14.4 liter	6.7 / .19	42 / 19	No
(3 lower warmers)		120/208*	11.6	2110	2410	6.5 gal/24.6 liter	6.7 / .19	42 / 19	
		120/240*	13.5	2950	3250	7.0 gal/26.5 liter	6.7 / .19	42 / 19*	

*120/208-240V, 11.6-13.5A, 2640-3400W. "Factory wired" products utilize same product numbers on dataplate to calculate tank heater range.

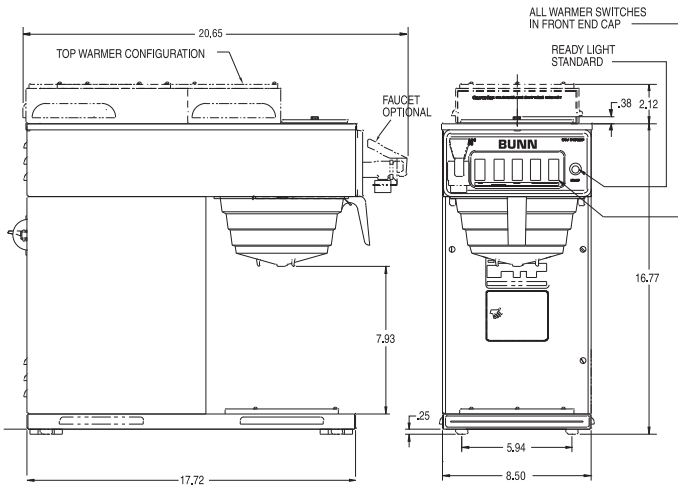
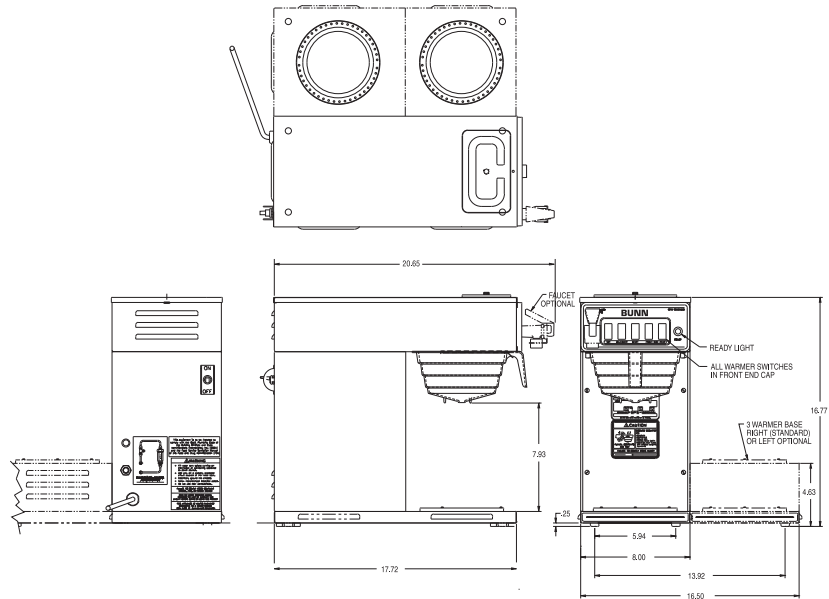
Brewing capacity: based upon incoming water temp of 60°F (140°F rise) per 1/2 gallon brew time of 4 minutes.

Models listed as 120/208V or 120/240V must be connected to 208V or 240V electrical service respectively. Please refer to the installation manual.

Electrical: If wired for 120V, requires 2-wires plus ground service rated 120V, single phase, 60 Hz.

If wired for 120/208V or 120/240V, requires 3-wires plus ground service rated 120/208V or 120/240V, single phase, 60 Hz.

Plumbing: 20-90 psi (138-621 kPa). Machine supplied with 1/4" male flare fitting.



Bunn-O-Matic Corporation of Canada - 280 Industrial Pkwy. S. Aurora, Ontario L4G 3T9 • 905-841-2866 • Fax 905-841-2775 • www.bunn.com

BUNN® practices continuous product research and improvement. We reserve the right to change specifications and product design without notice. Such revisions do not entitle the buyer to corresponding changes, improvements, additions or replacements for previously purchased equipment.

All dimensions shown in inches. Bunn Corporation owns all copyrights relating to materials in this publication. Please contact Bunn Corporation to request permission to reproduce any portion of this publication.