

Infusion® Series Coffee Brewer - Tall

Features



Infusion Coffee Brewer

- Brews 5.1 to 11.9 gallons (19.3 to 45 litres) of perfect coffee per hour.
- Large 3-gallon (11.36 litre) tank provides back-to-back brewing capacity at 208-240V applications.
- Dual voltage adaptable. Can operate at 120V/15amp or 208-240V/20amp.
- Three brew buttons allow for 3 separate brewing profiles. Two programmable batch switches allow full and half batch brewing.
- Includes overlay kits for customization of brewer interface.
- Easy Pulse interface allows automatic programming of pulse routine.
- BrewWISE® intelligence with pre-infusion and pulse brew for maximum flavor extraction. DBC grinder communicates with brewer through Smart Funnel®.
- Energy-saver mode reduces tank temperature during idle periods.
- Digital display in English/Spanish for easier programming and control. Advertising messages and machine status also displayed. Display capable of showing English or Metric measurements.
- Compatible with BUNNlink™.

Model ICB-Tall with 1.5 Gal ThermoFresh® Server

(TF server sold separately)

Dimensions: 34.4"H x 10.1"W x 19.9"D
(87.4cm H x 25.7cm W x 50.5cm D)

For current specification sheets and other information, go to www.bunn.com.

Related Products

Easy Clear® EQ-HP-10
Product No. : 39000.0004



1.5 gallon ThermoFresh Server
Product No.: 39550.0000

Easy Clear® EQHP-10L
Product No. : 39000.0001

1.5 gallon Digital ThermoFresh Server
Product No.: 39550.0050

1 gallon ThermoFresh Server
Product No.: 39500.0000

1 gallon Digital ThermoFresh Server
Product No.: 39500.0050



Single/Dual Filter Pack
Product No. : 20138.0000
Packed per case: 500
Dimensions:
5¼" Base x 4¼" Sidewall
13.3 cm Base x 10.8 cm Sidewall



Model

Agency Listing

ICB - Tall

Dimensions & Specifications

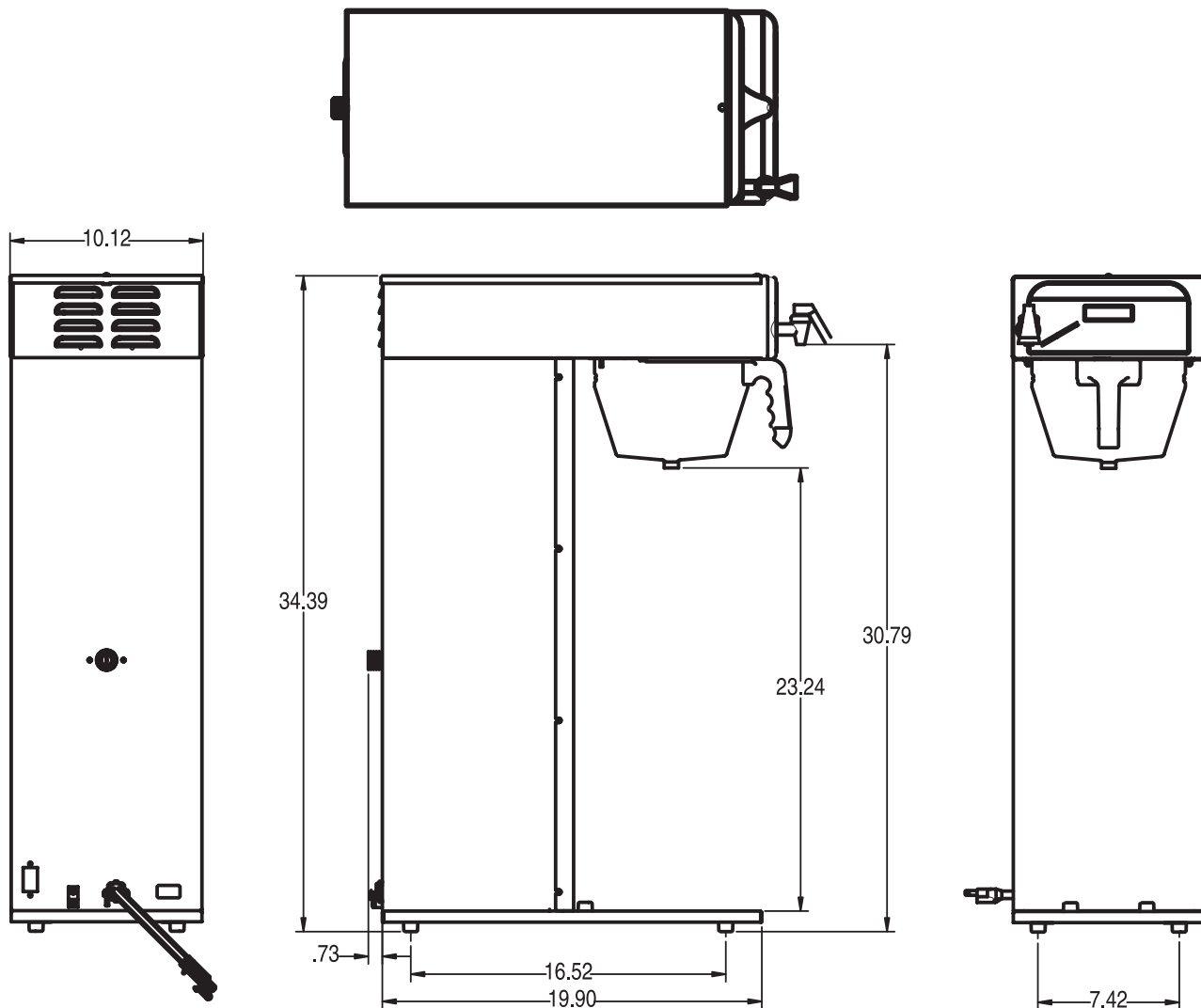
CANADA 

Model	Product #	Volts	Amps	Tank Htr Watts	Total Watts	Capacity per hour	Cubic ft ³ /m ³	Weight lbs/kg	Cord Attached
ICB-Tall	36600.6005	120	12.1	1450	1450	4.5 gal/17.1 liter	10.1/0.29	51 / 23.13	Yes*
		120/208	12.8	2660	2660	6.5 gal/24.6 liter			
		120/240	14.8	3540	3540	7.5 gal/28.4 liter			

*Power cord (NEMA 5-15P) 15 Amp-120V machine only.

Electrical: 120 volt model requires 2-wires plus ground service rated 120V, single phase, 60Hz.
An internal terminal block is configured for connection to a 3-wire plus ground.

Plumbing: 20-90 psi (138-621 kPa). Supplied with 3/8" male flare fitting.



Bunn-O-Matic Corporation of Canada - 280 Industrial Pkwy. S. Aurora, Ontario L4G 3T9 • 905-841-2866 • Fax 905-841-2775 • www.bunn.com

BUNN® practices continuous product research and improvement. We reserve the right to change specifications and product design without notice. Such revisions do not entitle the buyer to corresponding changes, improvements, additions or replacements for previously purchased equipment.

All dimensions shown in inches. Bunn Corporation owns all copyrights relating to materials in this publication. Please contact Bunn Corporation to request permission to reproduce any portion of this publication.