

Pourover Thermal Carafe Coffee Brewer

Features



Pourover Thermal Carafe Coffee Brewer

- Brews 3.8 gallons (14.4 litres) of perfect coffee per hour.
- Internal components are constructed from stainless steel.
- Pourover brewer requires no plumbing – completely portable.
- Just pour cold water in top and coffee brews immediately.
- Accommodates thermal carafe up to 8.5" (21.6 cm) tall.
- Use in quick turn environment where high quality coffee is continuously refreshed.
- Integral part of any office coffee service program.
- SplashGard® funnel deflects hot liquids away from the hand.

Model VPR-TC

(thermal carafe not included)

Dimensions: 21.3" H x 15.9" W x 8" D
(54.1cm H x 40.4cm W x 20.3cm D)

For current specification sheets and other information, go to www.bunn.com.

Related Products

Paper Filter Pack

Product No. : 20115.6000

Packed per case: 1,000

Dimensions: 4 1/4" Base x 2 3/4" Sidewall
10.8 cm Base x 6.98 cm Sidewall



Thermal Carafe

Product No. : 18022.6002

Dimensions: 8"H x 6.4"W x 8.2"D
(20.3cm H x 16.3cm W x 21cm D)



Model

Agency Listing

VPR-TC

Dimensions & Specifications

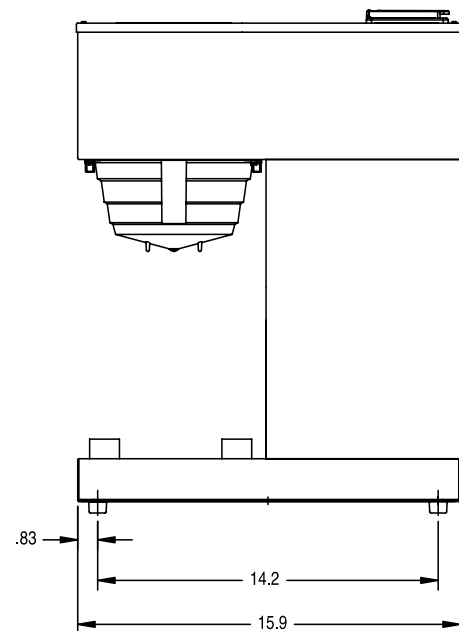
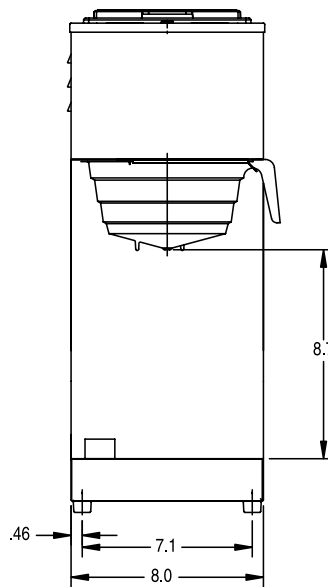
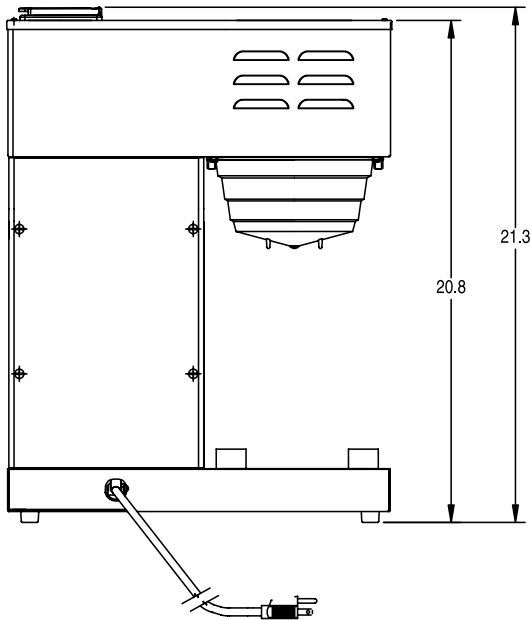
CANADA 

Model	Product #	Volts	Amps	Tank Htr Watts	Total Watts	Capacity per hour	Cubic ft ³ /m ³	Weight lbs / kg	Cord Attached
VPR-TC	33200.6011	120	11.4	1320	1375	3.8 gal/14.4 l	4.3 / .12	23 / 10.5	Yes [†]

[†]Power cord (NEMA 5-15P) 15 Amp-120V machine only.

Brewing capacity: based upon incoming water temp of 60°F (140°F rise) per 1/2 gallon brew time of 4 minutes.

Electrical: Model requires 2-wires plus ground service rated 120V, single phase, 60 Hz.



Bunn-O-Matic Corporation of Canada - 280 Industrial Pkwy. S. Aurora, Ontario L4G 3T9 • 905-841-2866 • Fax 905-841-2775 • www.bunn.com

BUNN® practices continuous product research and improvement. We reserve the right to change specifications and product design without notice. Such revisions do not entitle the buyer to corresponding changes, improvements, additions or replacements for previously purchased equipment.

All dimensions shown in inches. Bunn Corporation owns all copyrights relating to materials in this publication. Please contact Bunn Corporation to request permission to reproduce any portion of this publication.