

trifecta™ Single Cup Brewer



Features

trifecta™ Single Cup Brewer

Tech enabled barista crafted single cup

Every coffee has a voice. With the trifecta, the barista creates an experience which unlocks the nuances of that coffee. Using an air infusion single cup process, the trifecta brews so that each coffee's unique voice resonates.

trifecta brewing phases:

1 Wetting

The saturation of the coffee grounds can be controlled to get the percentage of water and pause appropriate for that coffee.

2 Extraction

Air is injected into a pressurized chamber so that the grounds are agitated -- the result: uniformity of extraction and a complex beverage that will be enjoyed by a coffee lover.

3 Hydrolysis

Air presses the beverage through a metal screen that filters out coffee grounds while preserving coffee oils and aromatics for a deep-bodied, unique coffee experience.



back view

trifecta™ Single Cup Brewer

Dimensions: 26.73"H x 11.89"W x 11.87"D
(60.3cm H x 30.2cm W x 30.1cm D)

For current specification sheets and other information, go to www.trifectaexperience.com.

Related Products

trifecta Brew Chamber

Product No. : 43279.1000



trifecta Cleaning Tablets

Product No. : 42933.1000



trifecta Cup Assembly

Product No. : 42388.1000



G2 trifecta Grinder

Product No. : 41900.0000



trifecta Check Valve

Product No. : 42610.1000



trifecta Accessory Kit

Product No. : 42768.1000

www.trifectaexperience.com



Model

TRIFECTA

Agency Listing



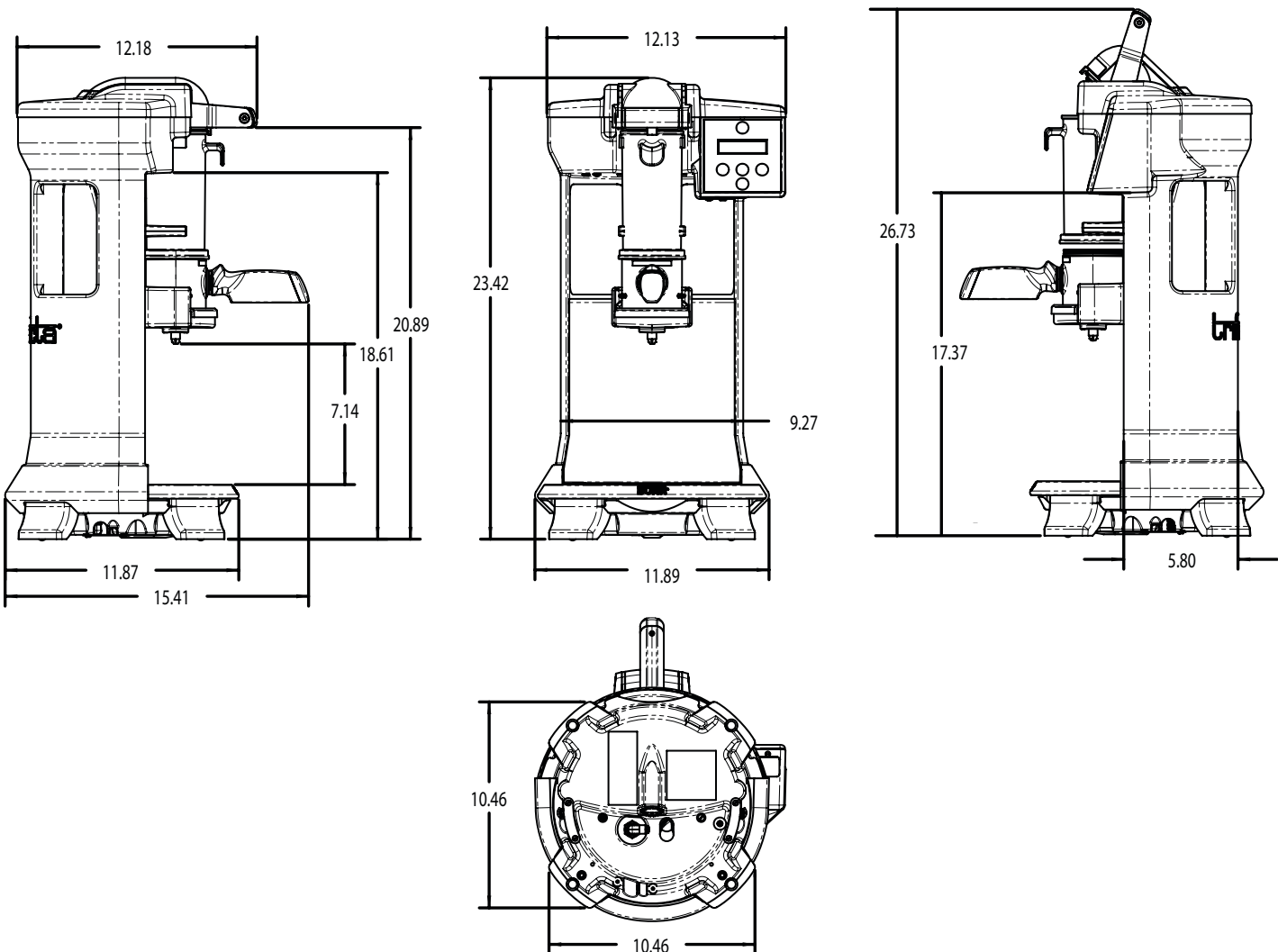
Dimensions & Specifications

Model	Product #	Volts	Amps	Total Watts	Cu. Ft.	Shipping Weight	Cord Attached
TRIFECTA	41200.0000	120	11.45	1375	2.48	41.7 lbs.	Yes

Power cord (NEMA 5-15P) 15 Amp-120V machine only.

Electrical: 2-wires plus ground service rated 120V, single phase, 60Hz.

Plumbing: 20-90 psi (138-621 kPa). Supplied with ¼" (6.4 mm) male flare fitting.



Bunn-O-Matic® Corporation - 1400 Stevenson Drive Springfield, Illinois 62703 • 800-637-8606 • 217-529-6601 • Fax 217-529-6644 • www.bunn.com

BUNN® practices continuous product research and improvement. We reserve the right to change specifications and product design without notice. Such revisions do not entitle the buyer to corresponding changes, improvements, additions or replacements for previously purchased equipment.

All dimensions shown in inches.

4/11 © Bunn-O-Matic Corporation