

# BUNN®

## Easy Clear® Drop-In (ED) 10" or 20" Systems

ITEM# \_\_\_\_\_

PROJECT \_\_\_\_\_

DATE \_\_\_\_\_



**Model ED-11-TL or ED-12-TL**  
Water Quality Systems

### Features

#### Drop-In 10" (ED-11) & 20" (ED-12) Water Quality Systems

- Provides 4,500 gallons @ .75 gpm (10") or 9,000 gallons @ 1.5 gpm (20") for superior sediment, taste/odor and chlorine reduction.
- Perfect for beverage systems with a medium sized brewer (up to 50 lbs. of coffee/week).
- Effective 10 micron graded density filtration.
- Provides six months of scale reduction and protects equipment from corrosion.
- Has easy water shut-off valve built into manifold, plus the clear housing makes it easy to see cartridges.
- Designed for minimum purge after cartridge charge.
- Single purpose cartridges also available for treatment of problems with taste and odor (T), lime scale (L), hardness (H) and sediment filtration (S).
- System Tested and Certified by NSF International against ANSI/NSF Standard 42 for the reduction of sediment, taste/odor, and chlorine.

For current specification sheets and other information, go to [www.bunn.com](http://www.bunn.com).

### Related Products

**Warranty:** BUNN warrants the Easy Clear® hardware (excluding cartridges) to be free from defects in materials and workmanship for 1 year from the date of installation. See service manual for complete warranty statement.

**Gauge Kit for Drop-In systems**  
Product No. : 30236.1001



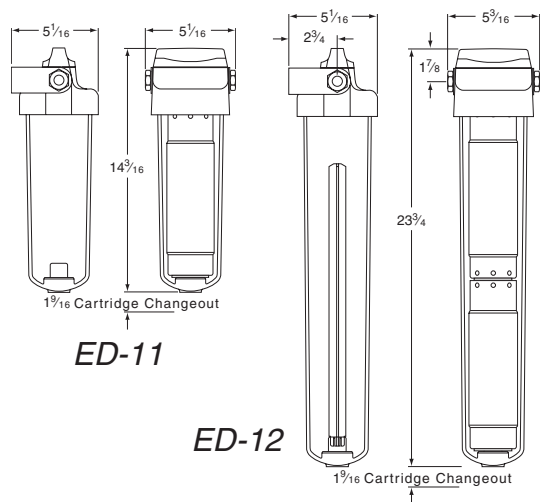
**Alignment Post**  
Product No. : 29559.0000



**ED-CON-2 Connector**  
Product No. : 30232.1000



**Wrench for Drop-In systems**  
Product No. : 30061.0000



#### Model

#### Agency Listing

ED-11-TL



ED-12-TL



## Dimensions & Specifications

Model	Product #	Flow Rate & Capacity	Replaces	Chlorine	Taste	Scale	Sediment
<b>Multipurpose Systems</b>							
ED-11-TL	30244.1001	.75 gpm/4,500 gals.	110-CP	•	•	•	•
ED-12-TL	30245.1001	1.5 gpm/9,000 gals.	120-CP	•	•	•	•
<b>10" Cartridges</b>							
ED-TL-1	(1) 30231.1001	.75 gpm/4,500 gals.	CP-10	•	•	•	•
Case	(36) 30231.0001						
ED-T-1	(1) 30231.1002	.75 gpm/4,500 gals.	C-10	•	•		•
Case	(36) 30231.0002						
ED-L-1	(1) 30231.1003	3.0 gpm/NA	P12-10			•	•
Case	(12) 30231.0003						
ED-H-1	(1) 30231.1004	.5 gpm/800 grains <sup>†</sup>	WS-10			•	•
Case	(12) 30231.0004						
ED-S-1	(1) 30231.1005	6.0 gpm/NA	S5-10				•
Case	(36) 30231.0005						
<b>20" Cartridges</b>							
20" CARTRIDGES INCLUDE TWO ED-TL-1 CARTRIDGES CONNECTED WITH ONE ED-CON-2 CONNECTOR							
ED-TL-2 (1)	30232.1001	1.5 gpm/9,000 gals.	CP-20	•	•	•	•
Case— Connect 2 ED-TL-1	(36) 30231.0001						
with 1-ED-CON-2	(6) 30232.0000						
ED-T-2 (1)	30232.1002	1.5 gpm/9,000 gals.	C-20	•	•		•
Case— Connect 2 ED-T-1	(36) 30231.0002						
with 1-ED-CON-2	(6) 30232.0000						
ED-H-2 (1)	30232.1004	.5 gpm/1,600 grains <sup>†</sup>	WS-20			•	•
Case— Connect 2 ED-H-1	(12) 30231.0004						
with 1-ED-CON-2	(6) 30232.0000						
ED-S-2	(1) 30232.1005	12.0 gpm/NA	n/a				•
Case—	(15) 30032.0002	12.0 gpm/NA	S5-20*				
<b>Manifolds &amp; Housing(s)</b>							
ED-11	(1) 30221.1000	NA	110				
ED-12	(1) 30222.1000	NA	120				
ED-21	(1) 30269.1000	NA	210				
ED-22	(1) 30225.1000	NA	222				

<sup>†</sup> To figure gallon capacity for an ED-H-1 & 2 use the following formula:  
 Grain capacity of cartridge ÷ water hardness (in grains) = gallons treated.

\* Does not fit in new ED-\_-2 manifolds

Note: ED models include inlet and outlet valves with  $\frac{3}{8}$ " female pipe threading.

### Applications For ED Systems

<b>TL</b>	Sediment, Taste/Odor & Lime Scale
<b>T</b>	Taste & Odor (Carbon)
<b>L</b>	Lime Scale (Scale Inhibitor)
<b>H</b>	Hardness Treatment (Water Softener)
<b>S</b>	Sediment Filtration