

## Infusion Series® Twin High Volume Tea and Coffee Brewer



### ITCB-Twin HV with 1.5 Gal ThermoFresh® and TDON-3.5 Servers

(Servers sold separately)

Dimensions: 34.4"H x 20.1"W x 23.8"D\*  
(87.4cm H x 51.2cm W x 60.5cm D)

### Features

#### Perfect coffee and iced or hot tea from a brewer 20" wide

- Brews coffee or tea on both sides. Mix and Match to meet your needs.
- Large 5.5-gallon (20.8 litre) tank provides back-to-back brewing capacity.
- Brews 18.9 gallons (71.5 litres) of perfect coffee per hour and 26.7 gallons (10.2 litres) of iced tea per hour.
- BrewWISE® intelligence with pre-infusion and pulse brew for maximum flavor extraction. DBC grinder communicates with brewer through Smart Funnel®.
- Tea brewing capability built-in with integrated dilution nozzle, software and Quick Brew tea brewing funnel.
- Three brew buttons per side allow for up to six separate brewing profiles. Two programmable batch switches allow full and half batch brewing.
- Digital temperature control and cold brew lockout.
- Energy-saver mode reduces tank temperature during idle periods.
- Digital display in English/Spanish for easier programming and control. Advertising messages and machine status also displayed.
- Dilution feature also allows for brewing iced coffee.
- Includes both coffee and tea funnels.
- Includes overlay kit for customization of brewer interface.
- Brews into 1.5 gallon and 1.0 gallon BUNN ThermoFresh® servers for coffee and TD4T, TDO and TDO-N tea dispensers.
- Optional side mount for hot water faucet.
- Compatible with BUNNlink®.

For current specification sheets and other information, go to [www.bunn.com](http://www.bunn.com).

### Related Products

**Easy Clear® EQHP-10**  
Product No. : 39000.0004



**Easy Clear® EQHP-10L**  
Product No. : 39000.0001

**Tea Filter Pack**  
Product No. : 20100.0000

Packed per case: 500  
Dimensions:  
5 1/4" Base x 3 1/4" Sidewall  
13.3 cm Base x 8.25 cm Sidewall



**Coffee Filter Pack**  
Product No. : 20138.0000  
Packed per case: 500  
Dimensions:  
5 1/4" Base x 4 1/4" Sidewall  
13.3 cm Base x 10.8 cm Sidewall



**TDO-4 Tea Dispenser**  
(solid lid)  
Product No. : 34100.0000



**TDO-N-3.5 Tea Dispenser**  
Product No. : 39600.0001



**1 gallon TF Server**  
Product No.:39500.0000  
Product No.:39500.0001  
(black)

**1.5 gallon TF Server**  
Product No.:39550.0000  
Product No.:39550.0001  
(black)

**1 gallon Digital TF Server**  
Product No.:42700.0000  
Product No.:42700.0001  
(black)

**1.5 gallon Digital TF Server**  
Product No.:42750.0000  
Product No.:42750.0001  
(black)



#### Model

ITCB-TWIN HV

#### Agency Listing



## Dimensions & Specifications

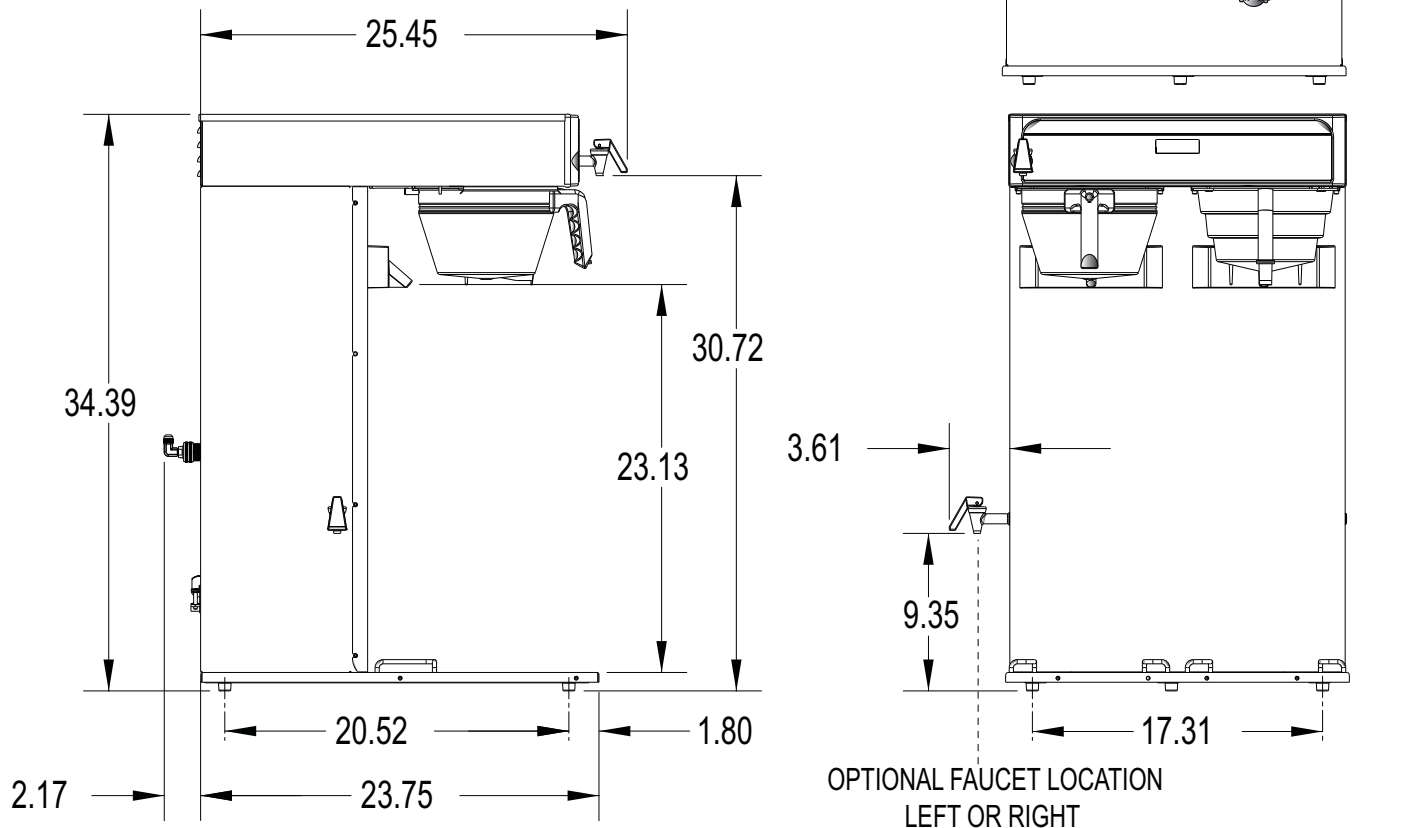
Model	Product #	Volts	Amps	Total Watts	Capacity Coffee	Capacity Tea	Cubic Measure	Shipping Weight	Cord Attached
ITCB-TWIN HV	43100.0000	120/240	25.8	6000	18.9 gal/hr	26.7 gal/hr	15.3 ft <sup>3</sup>	92 lbs	Yes

TWIN HV

**Brewing Capacity:** Based upon incoming water temperature of 60°F/15.5°C (140°F/60°C rise).

**Electrical:** Requires 3-wires plus ground service rated 120/240V, single phase 60Hz.

**Plumbing:** 20-90 psi (138-621 kPa). Supplied with 3/8" male flare fitting. Requires minimum of 2.0 gpm water flow.



Bunn-O-Matic® Corporation - 1400 Stevenson Drive Springfield, Illinois 62703 • 800-637-8606 • 217-529-6601 • Fax 217-529-6644 • www.bunn.com

BUNN® practices continuous product research and improvement. We reserve the right to change specifications and product design without notice. Such revisions do not entitle the buyer to corresponding changes, improvements, additions or replacements for previously purchased equipment.

All dimensions shown in inches.

6/11 © Bunn-O-Matic Corporation