

# AutoPOD® Pod Brewer

Commercial grade single cup system with the convenience of automatic pod disposal

Single Serve



AutoPOD Pod Brewer

## PRODUCT FEATURES

- Eliminates waste by brewing one fresh cup at a time from a wide variety of coffee and tea pods.
- Automatically disposes of spent pods after each brew.
- Removable pod bin holds up to 25 pods.
- Pod bin and drip tray can be modified for under-counter disposal of pods.
- Works with most coffee and tea pods.
- Patented sprayhead design allows for proper extraction of all flavouring materials and aromatics.
- Brews up to 473 mL of coffee or tea in less than a minute.
- Digital display in English/Spanish for easy programming, operation and control.
- Control extraction utilizing pulse brew technology with BrewMETER®.
- Push and hold hot water button provides up to 296 mL of hot water for cocoa and soups.
- Integrated cup booster allows for 12.7cm or 20.3cm cup clearance.
- Energy-saver mode reduces tank temperature during idle periods.



Brew Station and 1 Rack Assembly

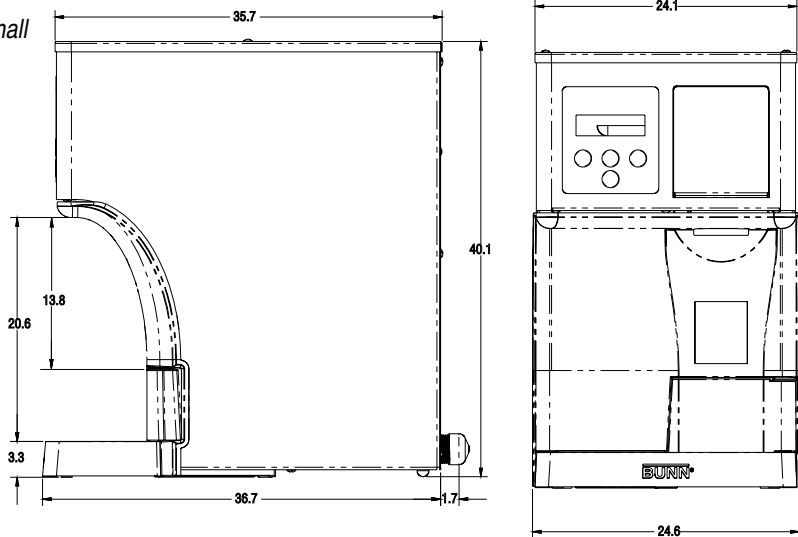
Versatile, colorful merchandising system for small coffee brewers, pods, and condiments.



Rack Assembly

## RELATED PRODUCTS

Inlet Hose Assembly  
Product No.: 32865.0002



1

AutoPOD Pod Brewer								
Product #	Model	Shipping Weight	Electrical				Cord Attached	Agencies
			Volts	Amps	Watts	Hertz		
40300.0003	AutoPOD	13.6 kg	230	6	1380	50	EU	CE
39501.0001	Brew Station (with Standard Header)	11.8 kg						
39502.0001	Rack Assembly	3.6 kg						

Plumbing: 138-621 kPa. Machine supplied with strainer and 1/4" male flare fitting. All plumbed models that are CE listed feature backflow prevention.

Dimensions in centimetres. Other models may be available, please contact your BUNN Sales Representative. For capacities, additional specs, manuals, care & cleaning, visit [www.bunn.com](http://www.bunn.com).

# My Café® Automatic and Pourover Brewers

My Café Automatic



My Café Pourover

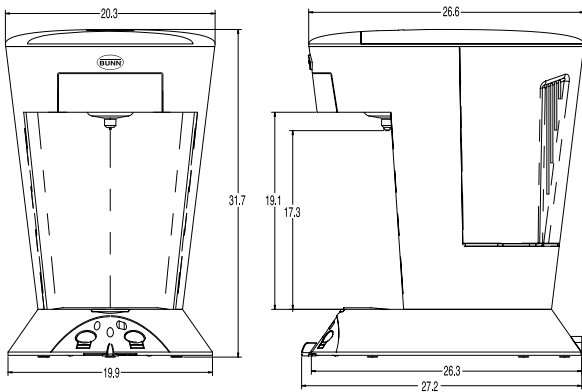


## PRODUCT FEATURES

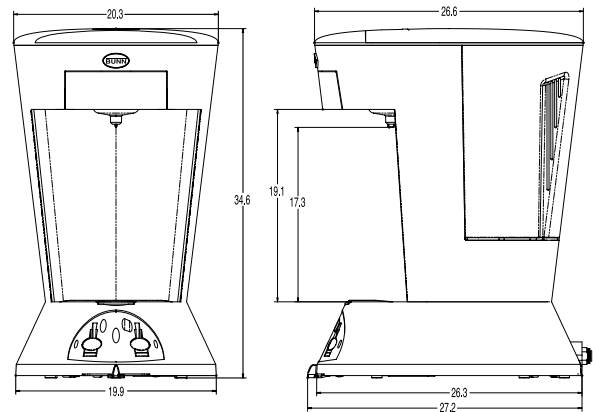
- Patented pod drawer works with most tea and coffee pods, from 45 to 61 mm.
- Fast brew coffee in about 30 seconds; brew tea in less than one minute.
- Patented sprayhead allows extraction of all coffee flavouring materials and aromatics.
- Tea button features pulse brew technology to provide steeping action.
- Brew 118 - 355 mL of coffee or tea to preferred strength by adjusting the portion/volume control.
- Easy to use and maintain with a removable water reservoir, a drawer-style pod holder and dishwasher safe components.
- Energy-saver mode reduces tank temperature during idle periods.
- Automatic model is connected to waterline, eliminating manual reservoir refills.
- Includes two pod holders.

## RELATED PRODUCTS

Inlet Hose Assembly  
Product No.: 32865.0002



My Café Pourover



My Café Automatic

## My Café Automatic and Pourover Brewers

Product #	Description	Weight	Electrical					Cord	Agencies
			Volts	Amps	Watts	Hertz	Phase		
35400.0014	MCPA, Pourover	9.75 lbs. (4.4 kg.)	230	6	1330	50/60	1	UK	NSF CE
35400.0015			220/230					EURO	
35400.0018			220/230					KOREA	
35400.0016	MCAA, Automatic	11.35 lbs. (5.1 kg.)	230	6	1330	50/60	1	UK	NSF CE
35400.0017			220/230					EURO	
35400.0019			220/230					KOREA	

Plumbing: 138-621 kPa. Machine supplied with strainer and 1/4" male flare fitting. All plumbed models that are CE listed feature backflow prevention.