

Infusion Series® Iced Tea and Coffee Brewers

Space-saving combination brewer yields a variety of beverages with simple operation and precise extraction control

Iced Tea and Coffee
Brewers



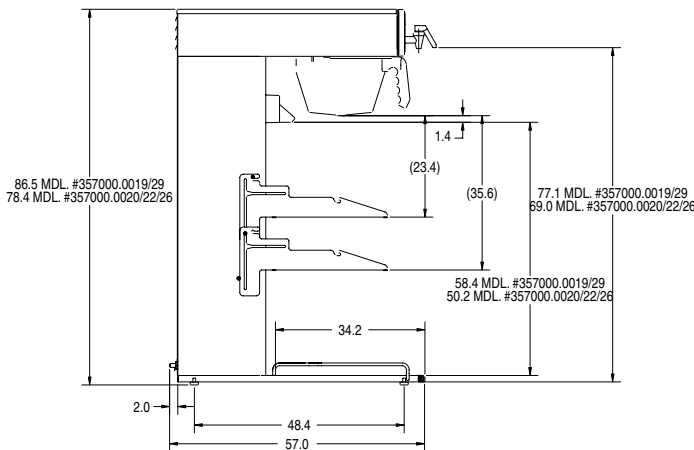
PRODUCT FEATURES

- Brew three beverages (iced tea, hot tea, hot coffee) from one model.
- Large tank provides back-to-back brewing capacity and allows 11.4 to 18.9 litres tea batches.
- Brews 17-28 litres of hot coffee per hour.
- Brews into most BUNN iced tea dispensers and 1.9 to 3.8 litre airpots and baseless servers.
- BrewWISE® intelligence with pre-infusion and pulse brew for maximum flavour extraction. Digital temperature control and cold brew lockout.
- Alphanumeric display communicates advertising messages and machine status in English, Spanish and Katakana.
- Brew counter keeps track of batches brewed.
- Additional iced coffee recipe included.
- Equipped with tank drain.
- Black plastic coffee funnel and separate tea funnel.
- Integrated flip tray converts to three positions: thermal carafe, airpot and tea dispenser.

ITCB

(Airpot and dispenser sold separately)

ITCB	Tea Dispensers
25.75" trunk	TD4, TDS-3, TDS-3.5, TDO-3.5, TDO-4, TDO-N-3.5, TDO-N-4
29" trunk	TD4, TD4T, TDS-3, TDO-3.5, TDO-4, TDO-5, TDO-N-3.5, TDO-N-4



Dimensions in centimetres

For brewer capacities please refer to spec sheets found on www.bunn.com.

Related Products



Tea Filter Pack
Product No.: 20100.0000



Tea Dispensers
See pages 46 for details.



Airpots
See page 21 for details.



Thermal Carafe
See page 21 for details.

Inlet Hose Assembly
Product No.: 32865.0001

Infusion Series Tea and Coffee Brewers

Product #	Description	Shipping Weight	Electrical					Cord	Agency
			Volts	Amps	Watts	Hertz	Phase		
35700.0019	ITCB-DV, 29" (73.7 cm), with tray	22.7 kg	120	14	1700	60	1	Yes	UL LISTED NSF
35700.0020	ITCB-DV, 25.75" (65.4 cm), with tray		208	13	2650				
35700.0022	ITCBA, 25.75" (65.4 cm), with tray		230	14	3200	50/60		No	CE NSF
35700.0026	ITCB, 25.75" (65.4 cm) with tray		200	17.5	3500	50			
35700.0029	ITCB-DV, 29" (73.7 cm), with tray		230	14	3200	50/60			

Plumbing: 138-621 kPa. Machine supplied with 1/4" male fitting.

Additional models may be available. Please contact your BUNN Sales Representative.

Iced Tea Brewers

Fresh iced tea brewing solution with simple operation for a wide variety of dispensers



TB3
(TDO-4 dispenser sold separately)



TB3Q LP
(TDO-3.5 included)

TB3 AND TB3Q FEATURES

- Brews 61.7 to 101.1 litres per hour from tea leaves.
- Brews directly into any style server.
- Meet your volume needs; brew 11.6 litres of iced tea at a time.
- Quickbrew (Q) models available for shorter brewing cycles.
- SplashGard® funnel deflects hot liquids away from the hand.

LOW PROFILE TEA BREWER FEATURES

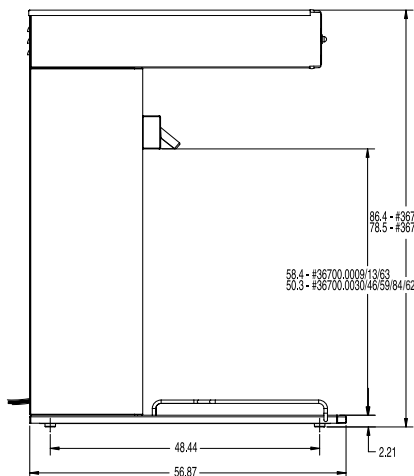
- Brews directly into TDO-3.5 gallon dispenser (included) with brew-through lid.
- Sleek, compact, low-profile styling to accommodate a variety of spaces.
- Quickbrew (Q) for shorter brewing cycle.
- SplashGard® funnel deflects hot liquids away from the hand.

Related Products

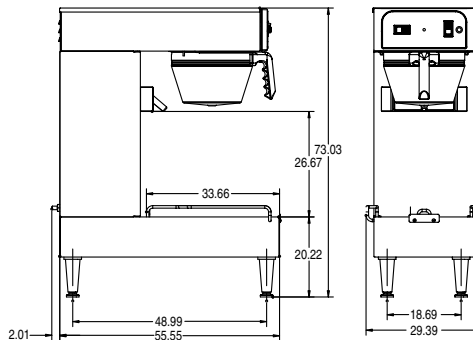


Tea Filter Pack
Product No.: 20100.0000

Inlet Hose Assembly
Product No.: 32865.0001



TB3, TB3Q



TB3Q LP

Dimensions in centimetres

For brewer capacities please refer to spec sheets found on www.bunn.com.

Iced Tea Brewers

Product #	Description	Shipping Weight	Electrical					Cord	Agency
			Volts	Amps	Watts	Hertz	Phase		
36700.0009	TB3, 29" (73.7 cm) trunk	19.5 kg	120	14.4	1730	60	Yes	UL LISTED NSF	
36700.0013	TB3Q, 29" (73.7 cm) trunk	19.1 kg							
36700.0030	TB3, 25.75" (65.4 cm) trunk	19.5 kg							
36700.0046	TB3B, 25.75" (65.4 cm), ready light, 1/2 batch, 2 fnls	19.5 kg	100	17.2	1718	50/60	No		
36700.0059	TB3Q, 25.75" (65.4 cm) trunk	18.6 kg	120	14.4	1730	60	Yes	UL LISTED NSF	
36700.0062	TB3QA, 25.75" (65.4 cm) trunk	18.6 kg	230	8	1800	50/60			
36700.0063	TB3A, 29" (73.7 cm) trunk	11.2 kg							
36700.0084	TB3A, 25.75" (65.4 cm) trunk	11.2 kg	230	8	1800				CE IGS
36700.0100	TB3Q-LP, low profile, with TDO 3.5	19.5 kg	120	14.2	1700	60			UL LISTED NSF
36700.0101	TB3QA-LP, low profile		230	8	1800	50/60	CE IGS		

Plumbing: 138-621 kPa. Machine supplied with 1/4" male fitting.

Additional models may be available. Please contact your BUNN Sales Representative.

Iced Tea Dispensers



TD4 TD4T TDO-3.5 TDO-4



TDO-5 TDS-3 TDS-3.5



TDO-N-3.5 TDO-N-4

SQUARE ICED TEA DISPENSER FEATURES

- Dispensers have 15.14 litre capacity.
- Sight gauges shows tea quantity.
- Available with solid or brew-through lids.

CYLINDER STYLE DISPENSER FEATURES

- Dispensers available in 13.2, and 15.1 litres.
- Sump dispense valve assures complete dispensing of tea.
- TDO-5, TDO-4, and TDO-3.5 models have plastic lid and oval shape.
- Handles labeled sweetened and unsweetened.
- Handles are mounted offset for closer side-by-side positioning.

* Please refer to specification sheets found on-line at www.bunn.com for detailed drawings.

ITCB	Tea Dispensers
25.75" trunk	TD4, TDS-3, TDS-3.5, TDO-3.5, TDO-4, TDO-N-3.5, TDO-N-4
29" trunk	TD4, TD4T, TDS-3, TDO-3.5, TDO-4, TDO-5, TDO-N-3.5, TDO-N-4

TB3/TB3Q	Tea Dispensers
25.75" trunk	TD4, TDS-3, TDS-3.5, TDO-4, TDO-N-3.5, TDO-N-4
29" trunk	TD4, TD4T, TDS-3, TDS-3.5, TDO-4, TDO-5, TDO-N-3.5, TDO-N-4

15.1 Litre Square Tea Dispensers

Product #	Description	Shipping Weight	Dimensions	Cord	Agency
03250.0003	TD4, sight gauge, solid lid	5.4 kg	43.4cm H x 23.1cm W x 39.9cm D	N/A	
03250.0006	TD4, brew-through lid	5.0 kg			
03250.0004	TD4T, sight gauge, solid lid, tall	5.9 kg	55.9cm H x 23.1cm W x 39.9cm D		
03250.0005	TD4T, brew-through lid, tall	5.9 kg			
03250.0018	TD4T, brew-through lid, tall, no decal	5.9 kg			

11.4, 13.2, 15.1 Litre Cylinder Style Tea/Coffee Dispensers

Product #	Description	Shipping Weight	Dimensions	Cord	Agency
34100.0000	TDO-4, solid lid	5.4 kg	48.3cm H x 27.2cm W x 34.8cm D	N/A	
34100.0001	TDO-5, solid lid	6.4 kg	55.9cm H x 27.2cm W x 34.8cm D		
34100.0002	TDO-4, brew-through lid	5.4 kg	48.3cm H x 27.2cm W x 34.8cm D		
34100.0003	TDO-5, brew-through lid	6.4 kg	55.9cm H x 27.2cm W x 34.8cm D		
37100.0000	TDO-3.5, low profile, brew-through lid	4.5 kg	25.4cm H x 24.9cm W x 40.9cm D		
33000.0000	TDS-3	9.4 kg	48.3cm H x 24.9cm W x 32.5cm D		
33000.0008	TDS-3.5	10 kg	51.8cm H x 24.9cm W x 32.5cm D		
39600.0001	TDO-N-3.5	5.6 kg	54.9cm H x 15.7cm W x 34.3cm D		
39600.0002	TDO-N-4	5.6 kg	53.3cm H x 15.2cm W x 60cm D		
37675.0000	LP Server Stand	3.9 kg	23.5cm H x 29.2cm W x 35.6cm D		

Additional models may be available. Please contact your BUNN Sales Representative.

Tea Concentrate Dispensers

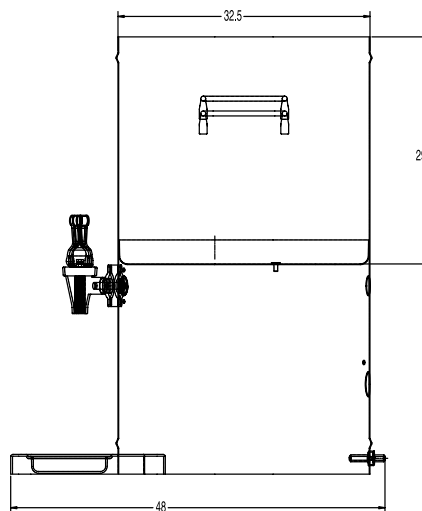
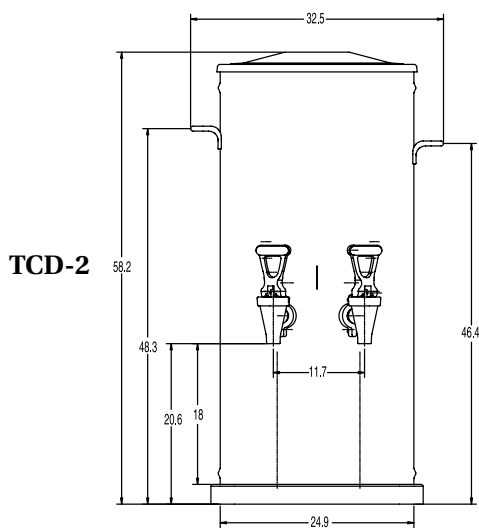
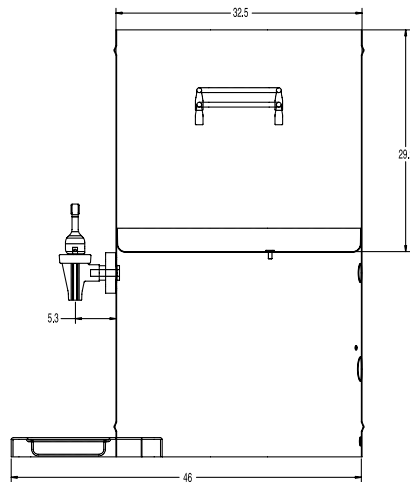
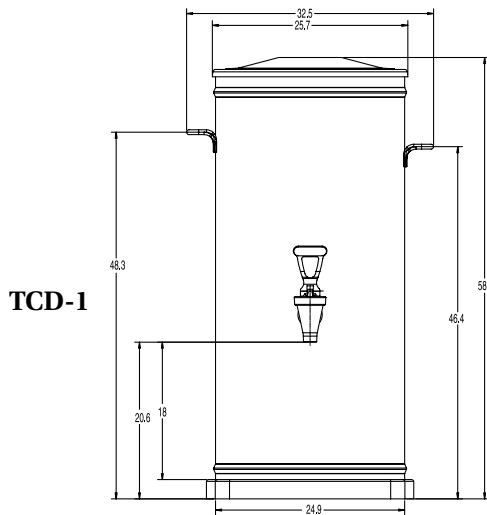


TCD-1

TCD-2

PRODUCT FEATURES

- Venturi valve creates siphon that pulls product through to mixing valve.
- Rear shut-off valve for cleaning dispenser.
- Accepts 3.8 litre jugs in top of container or bag-in-box.
- Side off-set handles for side-by-side placement to conserve space.
- Built-in pressure regulator provides consistent product to water ratio.
- Mixes a range of 5:1 to 15:1 concentrate to water ratio.
- Solid plastic lid.



Dimensions in centimetres

Related Products



Drip Tray
Product No.: 38029.1000

Tea Concentrate Dispensers

Product #	Description	Shipping Weight	Electrical					Cord	Agency
			Volts	Amps	Watts	Hertz	Phase		
37750.0000	TCD-1	7.8 kg	N/A						NSF
37750.0002	TCD-2	8.9 kg							NSF