

Automatic Coffee Brewer with 3 Lower Warmers



Features

12 Cup Automatic Coffee Brewer

- Brews 3.8 to 7.5 gallons (14.4 to 28.4 liters) of perfect coffee per hour.
- All stainless steel construction.
- Hot water faucet and back-up pourover feature on all models.
- SplashGard® funnel deflects hot liquids away from the hand.

Model CWTF35

(3 lower warmers)

(decanters sold separately)

Dimensions: 17" H x 16.5" W x 17.7" D

(43.2cm H x 41.9cm W x 45cm D)

For current specification sheets and other information, go to www.bunn.com.

International models may vary in appearance.

Related Products

Easy Clear® EQ-17-TL

Product No. : 30200.1000

Dimensions:

12⁷/₁₆" H x 2¹/₂" W x 3" D

31.6 cm H x 6.35 cm W x 7.62 cm D



Paper Filter Pack

Product No. : 20115.0000

Packed per case: 1,000

Dimensions: 4¹/₄" Base x 2³/₄" Sidewall

10.8 cm Base x 6.98 cm Sidewall



Easy Pour® ED-17-TL

Product No. : 30201.1001

Dimensions: 8¹/₄" H x 2⁵/₁₆" Dia.

20.95 cm H x 5.87 cm Dia.

Easy Pour® black decanter

Product No. : 06100.0101

Quantity: 1 (also packaged in quantities of 2, 3, 6, 12, & 24)



Easy Pour® orange decanter

Product No. : 06101.0101

Quantity: 1 (also packaged in quantities of 2, 3, 6, 12, & 24)



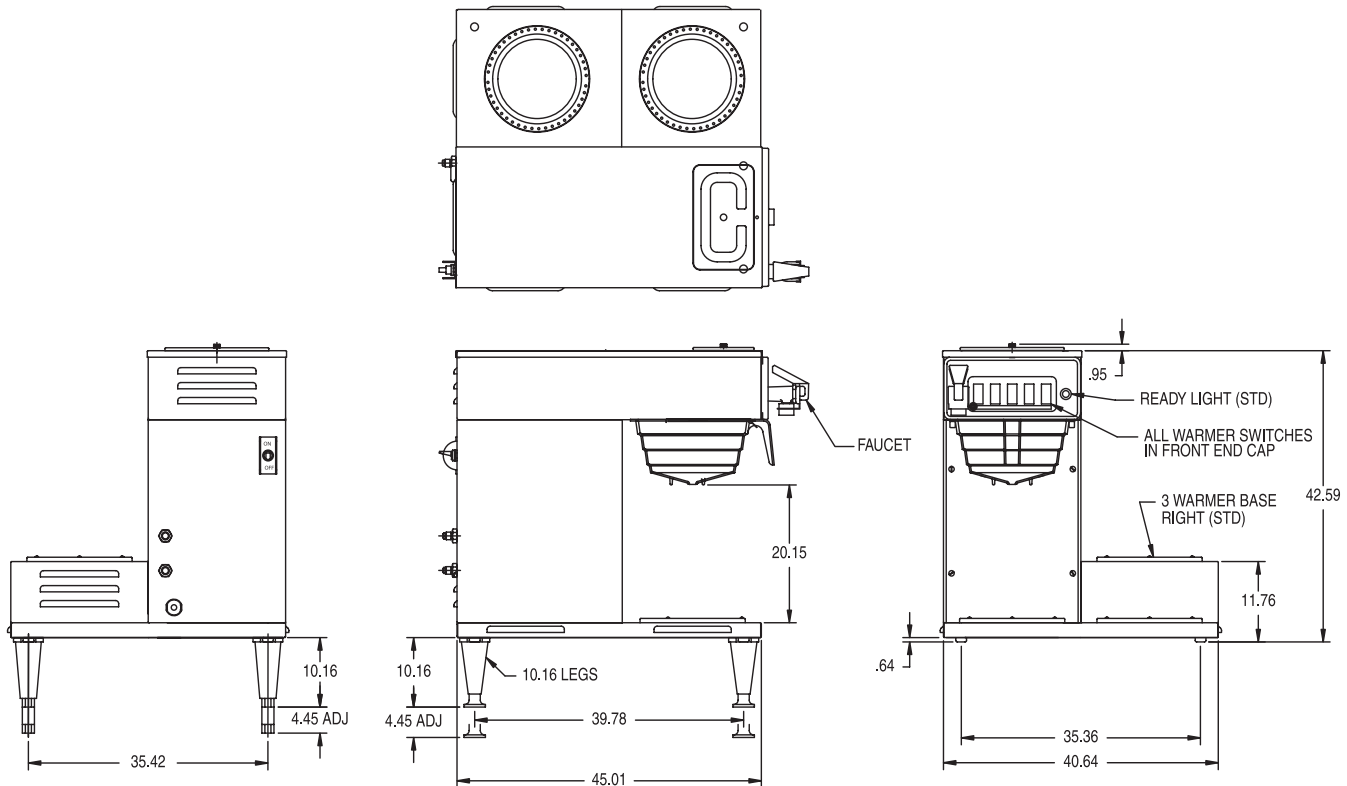
Dimensions & Specifications

| Model | Product # | Volts | Amps | Tank Heater Watts | Total Watts | Brewing Capacity | Shipping Weight | Cord Attached | Agency |
|--------|------------|-------|------|-------------------|-------------|-------------------------------|----------------------|---------------|--------|
| CWTF35 | 12950.0325 | 230 | 15.6 | 3500 | 3580 | 6.8 gal./hr. (25.7 L./hr.) | 38 lbs. (17.3 kg) | No | CE PC |

Brewing capacity: based upon incoming water temp of 60°F (15.5°C) (140°F (60°C) rise) per 1/2 gallon (1.89 litre) brew time of 4 minutes.

Electrical: Model requires 2-wires plus ground service rated 220-240V, single phase, 50/60 Hz.

Plumbing: 20-90 psi (138-621 kPa). Machine supplied with 1/4" male flare fitting.



Bunn-O-Matic® Corporation - 1400 Stevenson Drive Springfield, Illinois 62703 • USA • +1-217-529-6601 • Fax +1-217-529-2827 • www.bunn.com

BUNN® practices continuous product research and improvement. We reserve the right to change specifications and product design without notice. Such revisions do not entitle the buyer to corresponding changes, improvements, additions or replacements for previously purchased equipment.

All dimensions shown in centimeters.

8/09 © Bunn-O-Matic Corporation