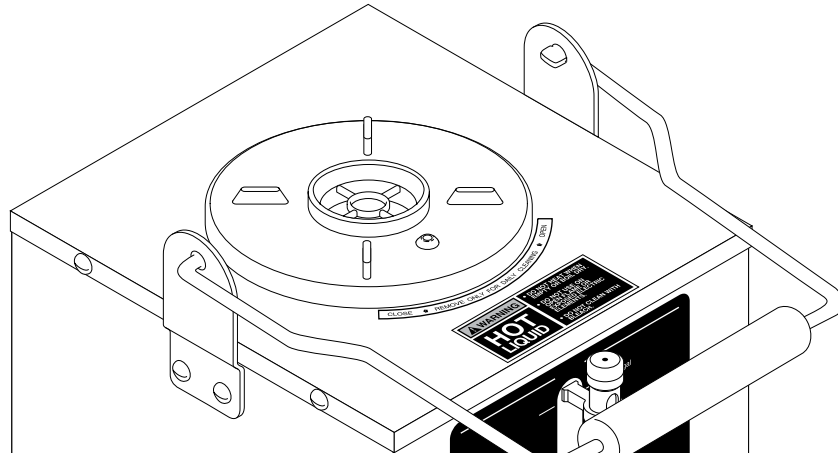
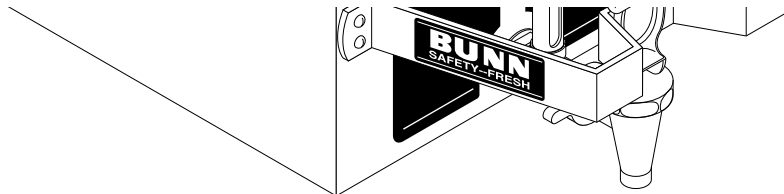


BUNN®

2 GPR



DISCONTINUED VERSION
Parts listed in this catalog
may no longer be available.



ILLUSTRATED PARTS CATALOG

Designs, materials, weights, specifications, and dimensions for equipment or replacement parts are subject to change without notice.

BUNN-O-MATIC CORPORATION

POST OFFICE BOX 3227

SPRINGFIELD, ILLINOIS 62708-3227

PHONE: (217) 529-6601 FAX: (217) 529-6644



BUNN-O-MATIC COMMERCIAL PRODUCT WARRANTY

Bunn-O-Matic Corp. ("BUNN") warrants equipment manufactured by it as follows:

- 1) Airpots, thermal carafes, decanters, GPR servers, iced tea/coffee dispensers, MCP/MCA pod brewers thermal servers and ThermoFresh servers (mechanical and digital)- 1 year parts and 1 year labor.
- 2) All other equipment - 2 years parts and 1 year labor plus added warranties as specified below:
 - a) Electronic circuit and/or control boards - parts and labor for 3 years.
 - b) Compressors on refrigeration equipment - 5 years parts and 1 year labor.
 - c) Grinding burrs on coffee grinding equipment to grind coffee to meet original factory screen sieve analysis - parts and labor for 4 years or 40,000 pounds of coffee, whichever comes first.

These warranty periods run from the date of installation BUNN warrants that the equipment manufactured by it will be commercially free of defects in material and workmanship existing at the time of manufacture and appearing within the applicable warranty period. This warranty does not apply to any equipment, component or part that was not manufactured by BUNN or that, in BUNN's judgment, has been affected by misuse, neglect, alteration, improper installation or operation, improper maintenance or repair, non periodic cleaning and descaling, equipment failures related to poor water quality, damage or casualty. In addition, the warranty does not apply to replacement of items subject to normal use including but not limited to user replaceable parts such as seals and gaskets. This warranty is conditioned on the Buyer 1) giving BUNN prompt notice of any claim to be made under this warranty by telephone at (217) 529-6601 or by writing to Post Office Box 3227, Springfield, Illinois 62708-3227; 2) if requested by BUNN, shipping the defective equipment prepaid to an authorized BUNN service location; and 3) receiving prior authorization from BUNN that the defective equipment is under warranty.

THE FOREGOING WARRANTY IS EXCLUSIVE AND IS IN LIEU OF ANY OTHER WARRANTY, WRITTEN OR ORAL, EXPRESS OR IMPLIED, INCLUDING, BUT NOT LIMITED TO, ANY IMPLIED WARRANTY OF EITHER MERCHANTABILITY OR FITNESS FOR A PARTICULAR PURPOSE. The agents, dealers or employees of BUNN are not authorized to make modifications to this warranty or to make additional warranties that are binding on BUNN. Accordingly, statements by such individuals, whether oral or written, do not constitute warranties and should not be relied upon.

If BUNN determines in its sole discretion that the equipment does not conform to the warranty, BUNN, at its exclusive option while the equipment is under warranty, shall either 1) provide at no charge replacement parts and/or labor (during the applicable parts and labor warranty periods specified above) to repair the defective components, provided that this repair is done by a BUNN Authorized Service Representative; or 2) shall replace the equipment or refund the purchase price for the equipment.

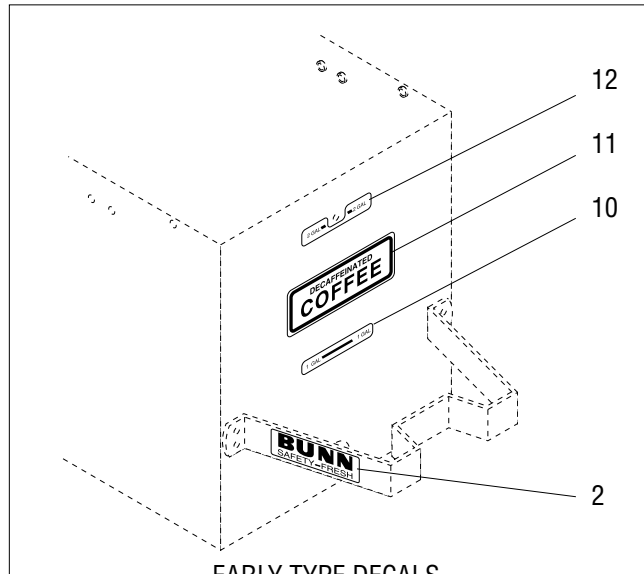
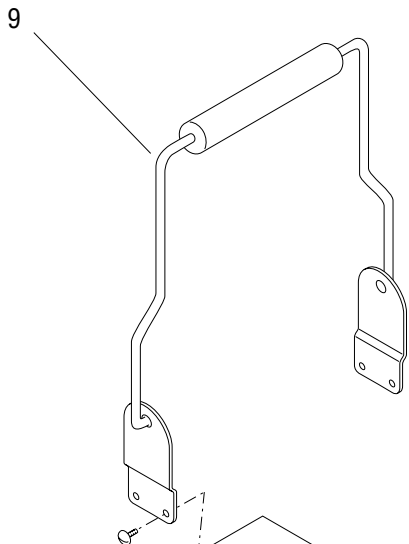
THE BUYER'S REMEDY AGAINST BUNN FOR THE BREACH OF ANY OBLIGATION ARISING OUT OF THE SALE OF THIS EQUIPMENT, WHETHER DERIVED FROM WARRANTY OR OTHERWISE, SHALL BE LIMITED, AT BUNN'S SOLE OPTION AS SPECIFIED HEREIN, TO REPAIR, REPLACEMENT OR REFUND.

In no event shall BUNN be liable for any other damage or loss, including, but not limited to, lost profits, lost sales, loss of use of equipment, claims of Buyer's customers, cost of capital, cost of down time, cost of substitute equipment, facilities or services, or any other special, incidental or consequential damages.

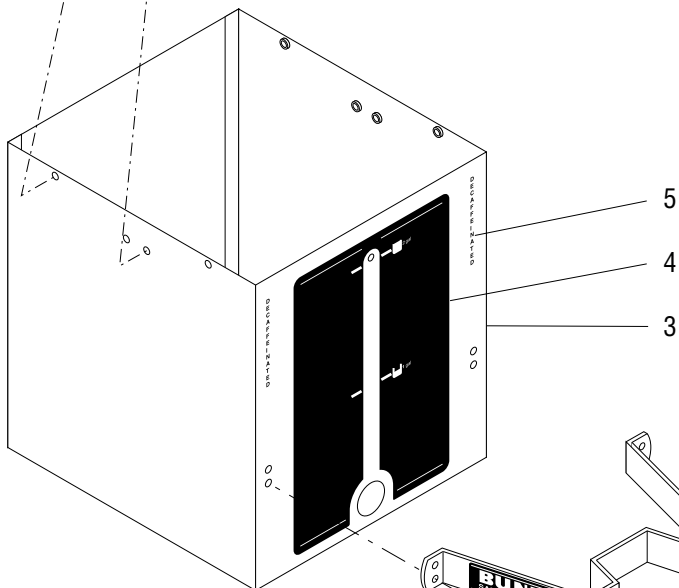
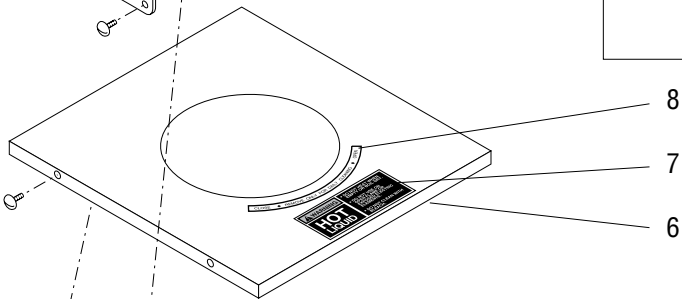
392, AutoPOD, AXIOM, BrewLOGIC, BrewMETER, Brew Better Not Bitter, BrewWISE, BrewWIZARD, BUNN Espresso, BUNN Family Gourmet, BUNN Gourmet, BUNN Pour-O-Matic, BUNN, BUNN with the stylized red line, BUNNlink, Bunn-OMatic, Bunn-O-Matic, BUNNserve, BUNNSERVE with the stylized wrench design, Cool Froth, DBC, Dr. Brew stylized Dr. design, Dual, Easy Pour, EasyClear, EasyGard, FlavorGard, Gourmet Ice, Gourmet Juice, High Intensity, iMIX, Infusion Series, Intellisteam, My Café, Phase Brew, PowerLogic, Quality Beverage Equipment Worldwide, Respect Earth, Respect Earth with the stylized leaf and coffee cherry design, Safety-Fresh, savemycoffee.com, Scale-Pro, Silver Series, Single, Smart Funnel, Smart Hopper, SmartWAVE, Soft Heat, SplashGard, The Mark of Quality in Beverage Equipment Worldwide, ThermoFresh, Titan, trifecta, Velocity Brew, A Partner You Can Count On, Air Brew, Air Infusion, Beverage Bar Creator, Beverage Profit Calculator, Brew better, not bitter., BUNNSource, Coffee At Its Best, Cyclonic Heating System, Daypart, Digital Brewer Control, Nothing Brews Like a BUNN, Pouring Profits, Signature Series, Tea At Its Best, The Horizontal Red Line, Ultra are either trademarks or registered trademarks of Bunn-O-Matic Corporation.

TABLE OF CONTENTS

Faucet, Sight Gage & Decals8
Housing, Handles, Guard & Decals4
Numerical Index.....10
Reservoir & Lid Assembly6



EARLY TYPE DECALS

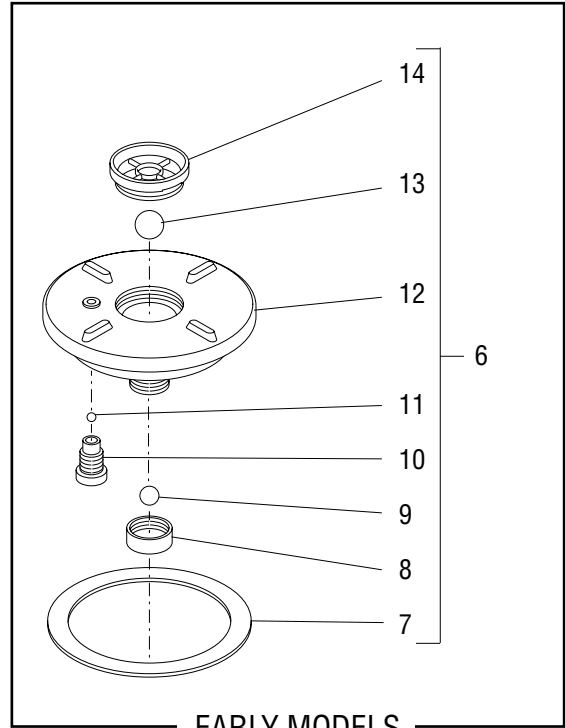
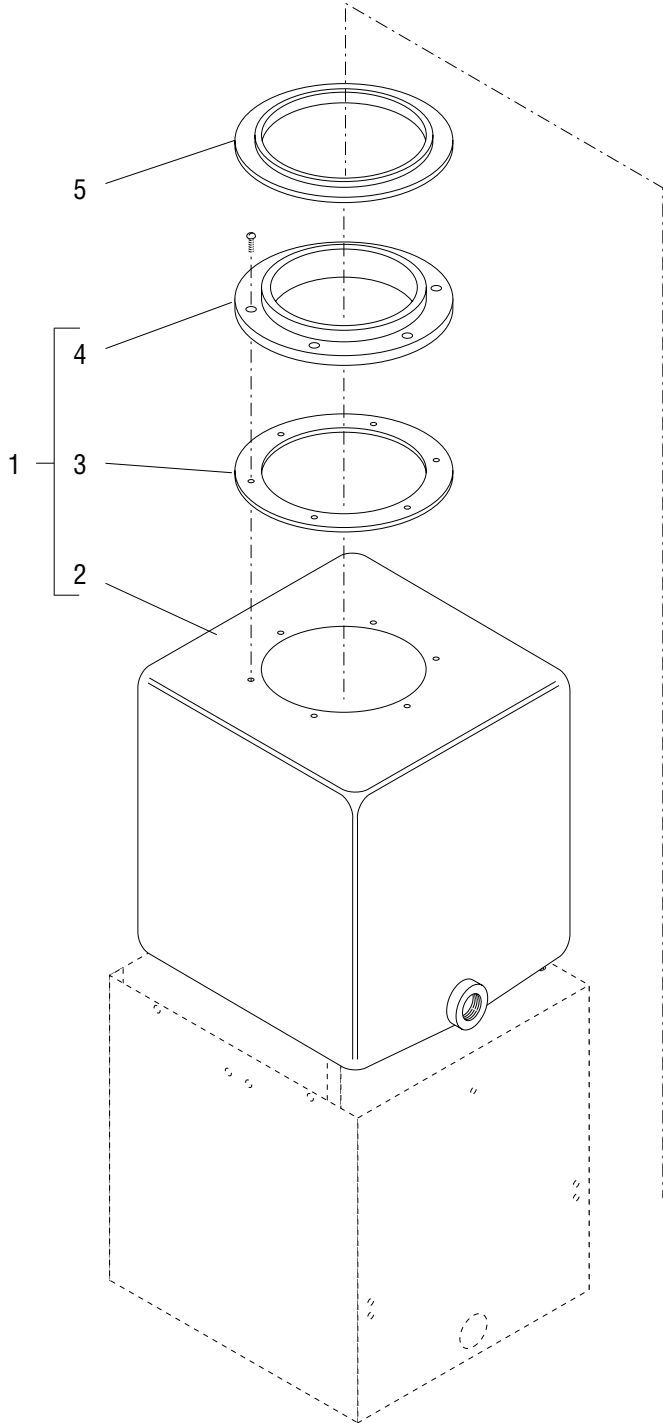


HOUSING, HANDLES, GUARDS & DECALS

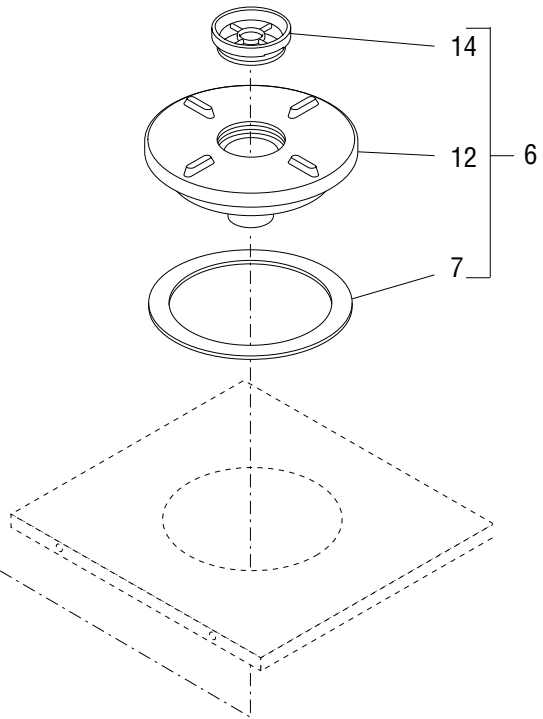
ITEM	PART NO.	QTY.	DESCRIPTION
1	21940.0000	1	Faucet Guard W/Decals (Includes item 2)
	02329.0002	4	Screw, Round Head 8 - 32 x .31" (Black)
2	20968.0000	2	Decal, Safety - Fresh (Effective approximately April 1994)
	12370.0000	2	Decal, Safety - Fresh (Used prior to April 1994)
3	21938.0000	1	Housing W/Decals (Includes items 4 & 5)
4	24646.0000	1	Decal, Decorative Level Indicator (Effective approximately April 1994)
5	24261.0000	2	Decal, Decaf Coffee (Vertical) (Install as required)
6	21935.0000	1	Cover W/Decals (Includes items 7 & 8)
	01315.0000	4	Screw, Truss Head 8 - 32 x .38"
7	12356.0000	1	Decal, Warning - Hot Liquid
8	12373.0000	1	Decal, Lid Removal
9	12261.0001	1	Handle Assy, Bail (Black)
	-----	1	Handle Assy, Bail (Orange) (Not available order Black Handle & item 15)
	01311.0001	4	Screw, Truss Head-Locking 8 - 32 x .25"
10	12309.0002	1	Decal, 1 Gal.
11	07170.0000	1	Decal, Decaffeinated Coffee
12	12309.0001	1	Decal, 2 Gal.
13	00879.0000	1	Decal, Decaffeinated Coffee (Not required)
14	05940.0000	2	Decal, Orange Dot (Install as required)
15	23956.1001	1	Decaffeinated Accessory Package (Includes items 5, 13 & 14 - also see page 7)

Early Type Decals used
prior to April 1994

Not Illustrated

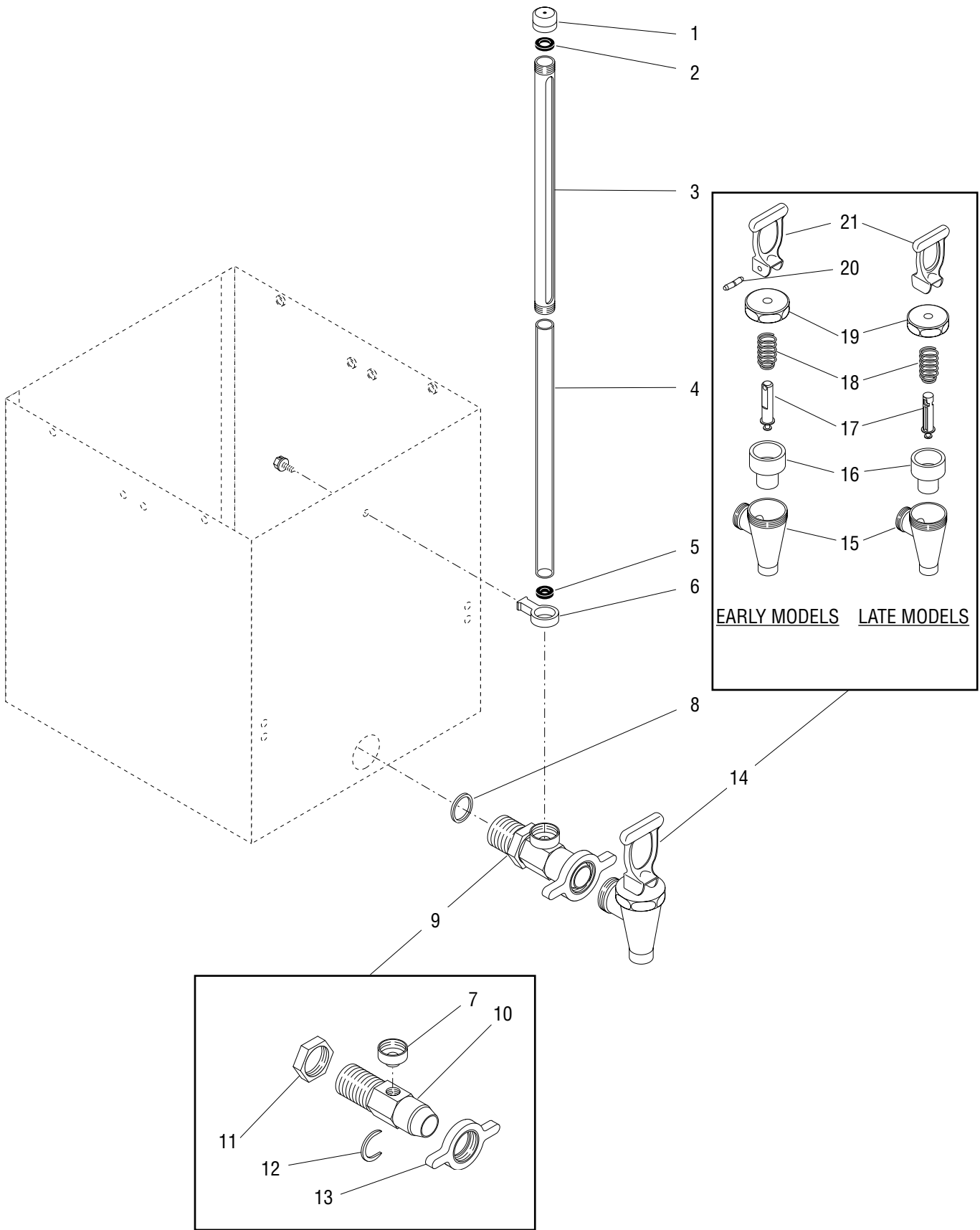


EARLY MODELS



RESERVOIR & LID ASSEMBLY

ITEM	PART NO.	QTY.	DESCRIPTION
1	12346.0002	1	Reservoir/Collar Assy (Includes items 2, 3 & 4)
2	12383.0000	1	Reservoir
3	12330.0000	1	Gasket, Reservoir Collar
4	12329.0000	1	Collar, Reservoir
	01380.0000	6	Screw, Truss Head 6 - 32 x .50"
5	12331.0000	1	Gasket, Top Cover
6	-----	1	Lid Assy, Reservoir (Includes items 7 thru 14) (Early models. Order late model Lid)
	12328.0000	1	Lid Assy, Reservoir (Includes items 7, 12 & 14) (Late models)
7	12332.0000	1	Gasket, Lid
8	12294.0000	1	Retainer Cap, Vent Ball
9	00598.0002	1	Ball, .50" Dia.
10	12288.0000	1	Retainer Cap, Vent Ball
11	00598.0001	1	Ball, .25" Dia.
			} Early models
12	12287.0000	1	Lid, Reservoir (Early models)
	29690.0000	1	Lid, Reservoir (Late models)
13	12327.0000	1	Ball, 20 mm Dia. (Early models)
14	12289.0000	1	Retainer Cap, Top Vent (Early models)
	12289.0001	1	Retainer Cap, Top Vent (Late models)



FAUCET, SIGHT GAGE & DECALS

ITEM	PART NO.	QTY.	DESCRIPTION
1	01293.0000	1	Sight Gage Cap
2	01291.0000	1	Sight Gage Washer, Cap (Also see item 22)
3	01286.0000	1	Sight Gage Shield, 8.0"
4	01283.1000	1	Sight Gage Glass, 8.0"
5	01292.0000	1	Sight Gage Washer, Base (Also see item 22)
6	01287.0000	1	Sight Gage Brace
	02330.0001	1	Screw, Washer Head 10 - 24 x .38"
7	01222.0000	1	Sight Gage Base
8	07079.0001	1	Gasket, Faucet Shank .313
9	21077.0000	1	Faucet Shank W/Sight Gage Base (Includes items 7 & 10 thru 13)
10	-----	1	Faucet Shank Body (Not available order item 9)
11	20761.0000	1	Faucet Shank Nut
12	01221.0000	1	Faucet Shank C-Ring
13	03093.0001	1	Faucet Wing Nut - Black (Shown) (Effective approximately March 1994)
	01268.0000	1	Faucet Union Nut - Chrome Hex (Not Illustrated) (Used prior to March 1994)
14	-----	1	Faucet Assy (Black Handle) (Early Models. Not available, order Late Model)
	03287.0003	1	Faucet Assy (Black Handle) (Late Models) (Includes items 15-19 & 21)
	03287.0002	1	Faucet Assy (Orange Handle) (Early Models) (Includes items 15 thru 21)
	-----	1	Faucet Assy (Orange Handle) (Late Models. Not available, order Early Model)
15	-----	1	Faucet Body (Not available order item 14)
16	00600.0000	1	Faucet Seat Cup
17	01284.0000	1	Faucet Stem W/Pin (Includes item 20) (Early Model Faucets)
	29164.0000	1	Faucet Stem (Late Model Faucets)
18	00601.0000	1	Faucet Spring
19	07127.0000	1	Faucet Bonnet (Chrome) (Early Model Faucets)
	29654.0000	1	Faucet Bonnet (Black Plastic) (Late Model Faucets)
20	01219.0000	1	Faucet Handle Pin (Early Model Faucets only)
21	07096.0002	1	Faucet Handle, Black (Early Model Black Faucets)
	29163.0001	1	Faucet Handle, Black (Late Model Black Faucets)
	07101.0000	1	Faucet Handle, Orange (Early Model Orange Faucets)
	29163.0002	1	Faucet Handle, Orange (Late Model Orange Faucets)
22	01270.0000	1	Gasket Set, Sight Gage (Includes 4 of item 2 & 4 of item 5)
23	23956.1001	1	Decaffeinated Accessory Package (Includes items 17 & 21 (Orange) - also see page 3)
24	00674.0000	1	Brush, Faucet Shank Cleaning
25	00675.0000	1	Brush, Sight Gage Cleaning
26	28707.0002	-	Faucet Repair Kit (Late Model Black Faucets) (Includes items 16,17,18 and 21)
	28707.0001	-	Faucet Repair Kit (Late Model Orange Faucets) (Includes items 16,17,18 and 21)

Not Illustrated

NUMERICAL INDEX

PART NO.	PAGE NO.	PART NO.	PAGE NO.	PART NO.	PAGE NO.	PART NO.	PAGE NO.
00598.0001.....	7	20968.0000.....	5				
00598.0002.....	7	21077.0000.....	9				
00600.0000.....	9	21935.0000.....	5				
00601.0000.....	9	21938.0000.....	5				
00674.0000.....	9	21940.0000.....	5				
00675.0000.....	9	23956.1001.....	5				
00879.0000.....	5	23956.1001.....	9				
01219.0000.....	9	24261.0000.....	5				
01221.0000.....	9	24646.0000.....	5				
01222.0000.....	9	28707.0001.....	9				
01268.0000.....	9	28707.0002.....	9				
01270.0000.....	9	29163.0001.....	9				
01283.1000.....	9	29163.0002.....	9				
01284.0000.....	9	29164.0000.....	9				
01286.0000.....	9	29654.0000.....	9				
01287.0000.....	9	29690.0000.....	7				
01291.0000.....	9						
01292.0000.....	9						
01293.0000.....	9						
01315.0000.....	5						
01311.0001.....	5						
01380.0000.....	7						
02329.0002.....	5						
02330.0001.....	9						
03093.0001.....	9						
03287.0002.....	9						
03287.0003.....	9						
05940.0000.....	5						
07079.0001.....	9						
07096.0002.....	9						
07101.0000.....	9						
07127.0000.....	9						
07170.0000.....	5						
12261.0001.....	5						
12287.0000.....	7						
12288.0000.....	7						
12289.0000.....	7						
12289.0001.....	7						
12294.0000.....	7						
12309.0001.....	5						
12309.0002.....	5						
12327.0000.....	7						
12328.0000.....	7						
12329.0000.....	7						
12330.0000.....	7						
12331.0000.....	7						
12332.0000.....	7						
12346.0002.....	7						
12356.0000.....	5						
12370.0000.....	5						
12373.0000.....	5						
12383.0000.....	7						
20761.0000.....	9						