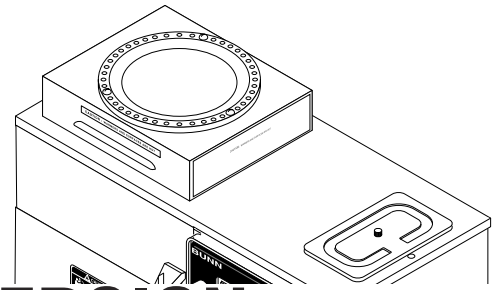
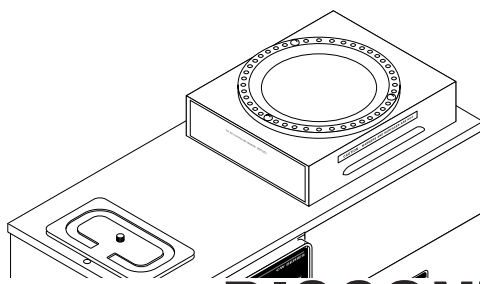


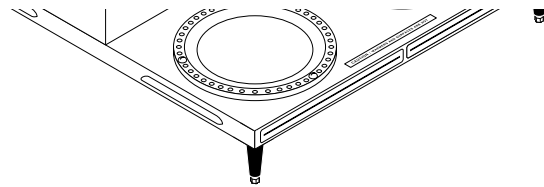
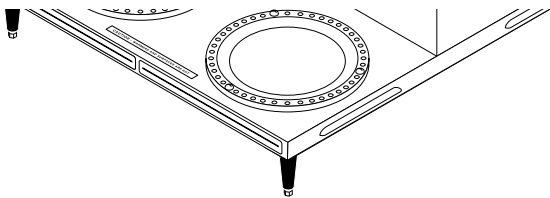
# **BUNN**®

## ***CWT-CS***

## ***CWTF-CS***



**DISCONTINUED VERSION**  
**Parts listed in this catalog**  
**may no longer be available.**



## **ILLUSTRATED PARTS CATALOG**

Designs, materials, weights, specifications, and dimensions for equipment or replacement parts are subject to change without notice.

**BUNN-O-MATIC CORPORATION**

POST OFFICE BOX 3227

SPRINGFIELD, ILLINOIS 62708-3227

PHONE: (217) 529-6601 FAX: (217) 529-6644

## WARRANTY

Bunn-O-Matic Corp. ("Bunn") warrants the equipment manufactured by it to be commercially free from defects in material and workmanship existing at the time of manufacture and appearing within one year from the date of installation. In addition:

1.) Bunn warrants electronic circuit and/or control boards to be commercially free from defects in material and workmanship for two years from the date of installation.

2.) Bunn warrants the compressor on refrigeration equipment to be commercially free from defects in material and workmanship for two years from the date of installation.

3.) Bunn warrants that the grinding burrs on coffee grinding equipment will grind coffee to meet original factory screen sieve analysis for three years from date of installation or for 30,000 pounds of coffee, whichever comes first.

This warranty does not apply to any equipment, component or part that was not manufactured by Bunn or that, in Bunn's judgement, has been affected by misuse, neglect, alteration, improper installation or operation, improper maintenance or repair, damage or casualty.

**THE FOREGOING WARRANTY IS EXCLUSIVE AND IS IN LIEU OF ANY OTHER WARRANTY, WRITTEN OR ORAL, EXPRESS OR IMPLIED, INCLUDING, BUT NOT LIMITED TO, ANY IMPLIED WARRANTY OF EITHER MERCHANTABILITY OR FITNESS FOR A PARTICULAR PURPOSE.** The agents, dealers or employees of Bunn are not authorized to make modifications to this warranty or to make additional warranties that are binding on Bunn. Accordingly, statements by such individuals, whether oral or written, do not constitute warranties and should not be relied upon.

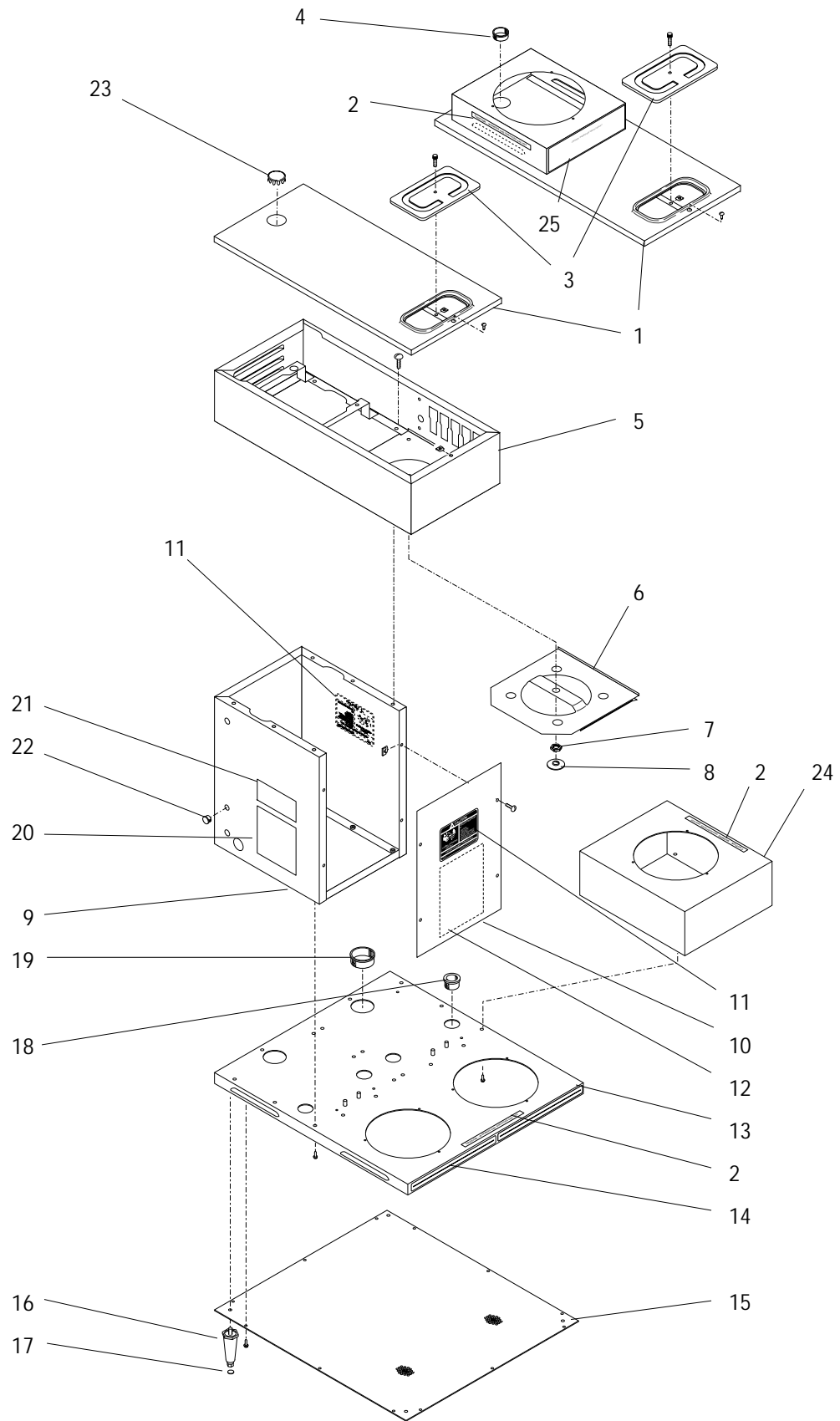
The Buyer shall give Bunn prompt notice of any claim to be made under this warranty by telephone at (217) 529-6601 or by writing to Post Office Box 3227, Springfield, Illinois, 62708-3227. If requested by Bunn, the Buyer shall ship the defective equipment prepaid to an authorized Bunn service location. If Bunn determines, in its sole discretion, that the equipment does not conform to the warranty, Bunn shall repair the equipment with no charge for parts during the warranty period and no charge for labor by a Bunn Authorized Service Representative during the warranty period. If Bunn determines that repair is not feasible, Bunn shall, at its sole option, replace the equipment or refund the purchase price for the equipment.

**THE BUYER'S REMEDY AGAINST BUNN FOR THE BREACH OF ANY OBLIGATION ARISING OUT OF THE SALE OF THIS EQUIPMENT, WHETHER DERIVED FROM WARRANTY OR OTHERWISE, SHALL BE LIMITED, AS SPECIFIED HEREIN, TO REPAIR OR, AT BUNN'S SOLE OPTION, REPLACEMENT OR REFUND.**

In no event shall Bunn be liable for any other damage or loss, including, but not limited to, lost profits, lost sales, loss of use of equipment, claims of Buyer's customers, cost of capital, cost of down time, cost of substitute equipment, facilities or services, or any other special, incidental or consequential damages.

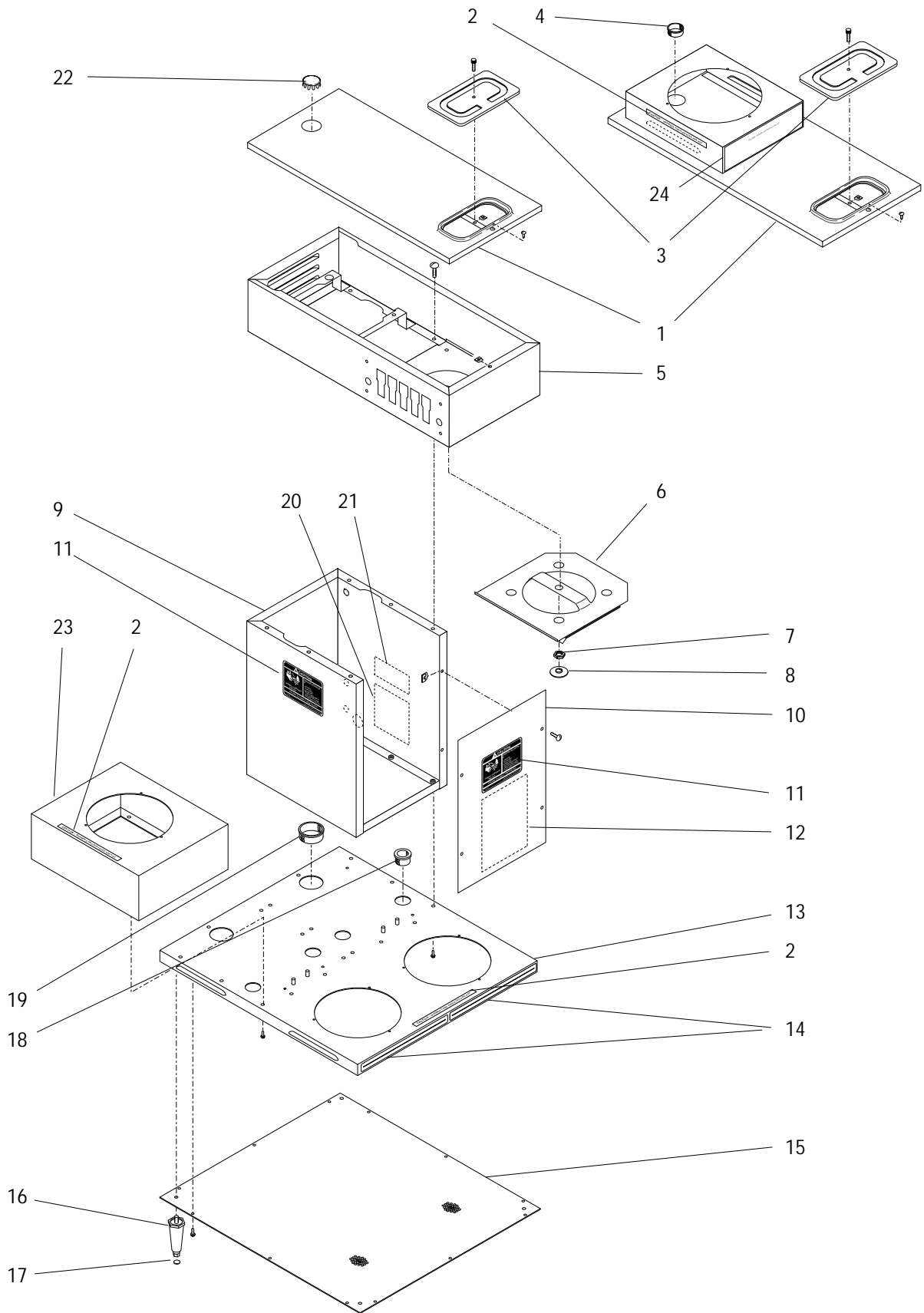
## TABLE OF CONTENTS

|  |    |
|--|----|
| Electrical and Operating Controls (Without Faucet) ..... | 18 |
| Electrical and Operating Controls (With Faucet) .....    | 20 |
| Faucet and Tubing .....                                  | 16 |
| Fill Basin .....   | 8  |
| Funnel .....   | 24 |
| Hood, Trunk, Panels and Base (Without Faucet) .....      | 4  |
| Hood, Trunk, Panels and Base (With Faucet) .....         | 6  |
| Numerical Index .....                                    | 26 |
| Strainer, Flow Control, Solenoid and Lines .....         | 14 |
| Tank and Components (Without Faucet) .....               | 10 |
| Tank and Components (With Faucet) .....                  | 12 |
| Warmer Assemblies .....                                  | 22 |



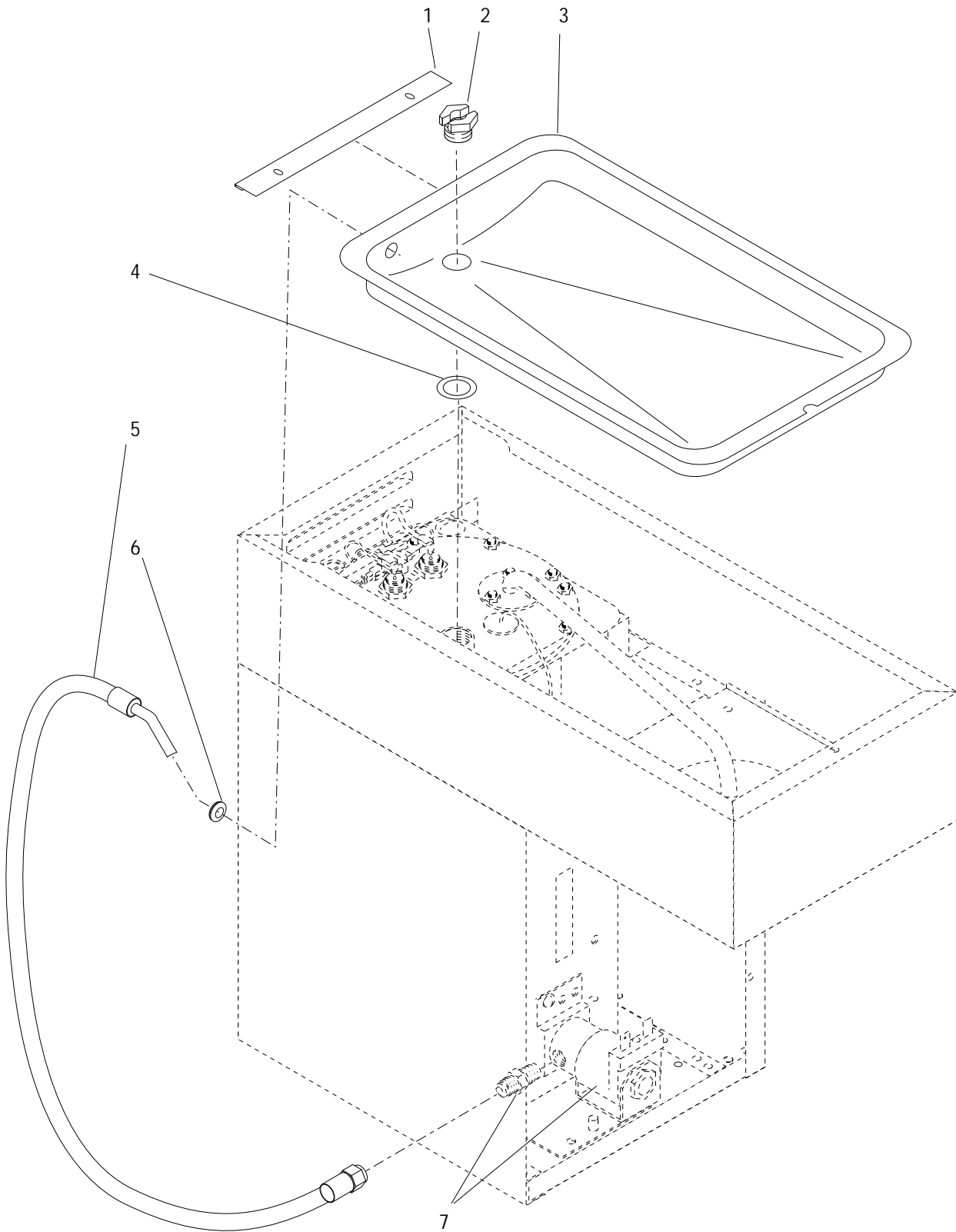
## HOOD, TRUNK, PANELS AND BASE W/OUT FAUCET

| ITEM | PART NO.   | QTY. | DESCRIPTION   |
|------|------------|------|---|
| 1    | 25310.0001 | 1    | Cover, Top  |
|      | 25633.0003 | 1    | Cover, Top (Brewers W/ Top Warmer. Includes items 2, 4 & 25)                                |
|      | 01303.0000 | 1    | Screw, Pan Head #4-40 x .50"  |
|      | 00916.0000 | 1    | Fastener, J-Type #4.40  |
| 2    | 12364.0000 | 4    | Decal, Caution - Warmers and Surfaces Are Hot (Two less used on brewers without top warmer) |
| 3    | 02722.0000 | 1    | Lid, Pour-In  |
|      | 01319.0000 | 1    | Screw, Thumb #8-32 x .75"   |
|      | 00912.0000 | 1    | Fastener, J-Type #8-32  |
| 4    | 01592.0001 | 1    | Bushing, Snap 1.188" Dia  |
| 5    | 13350.0013 | 1    | Housing, Hood   |
|      | 02308.0000 | 6    | Screw, Pan Head #8-32 x .375"   |
| 6    | 13354.0000 | 1    | Plate, Swivel W/Funnel Rails  |
| 7    | -----      | 1    | Nut (See Tank and Components)   |
| 8    | -----      | 1    | Sprayhead (See Tank and Components)   |
| 9    | 26513.0000 | 1    | Trunk W/Decals (Includes Items 11, 20 thru 22)  |
| 10   | 25144.0004 | 1    | Panel W/Decals (Includes items 11 & 12)   |
|      | 01382.0000 | 4    | Screw, Truss Head SST #6-32 x .375"   |
|      | 00988.0000 | 4    | Fastener, U-Type #6-32  |
| 11   | 00658.0000 | 2    | Decal, Caution - Decanter/Funnel  |
| 12   | 10836.0000 | 1    | Schematic, Electrical 120V & 120V/240V  |
| 13   | 25657.0000 | 1    | Housing W/Decals, Base (Includes items 2 & 14)  |
|      | 02308.0000 | 16   | Screw, Pan Head #8-32 x .38"  |
| 14   | 22306.0000 | 2    | Decal, Decorative Stripe  |
| 15   | 12667.0001 | 1    | Cover, Base   |
|      | 02332.0002 | 12   | Screw, Hex-Crimptite #6 x .38"  |
| 16   | 03359.0001 | 4    | Leg, 4" Adjustable BLK  |
| 17   | 03993.0000 | 4    | Pad, Anti-Skid, Rubber (.70" Dia.)  |
| 18   | 01592.0000 | 2    | Bushing, Snap 1" Dia.   |
| 19   | 01593.0000 | 2    | Bushing, Snap 1.5" Dia.   |
| 20   | 00831.0000 | 1    | Decal, Warning - Electrical   |
| 21   | 00656.0000 | 1    | Decal, Comply To Plumbing Code  |
| 22   | 00670.0000 | 1    | Plug, Hole - .437" Hole Dia   |
| 23   | 02999.0000 | 1    | Plug, Hole 1.19" Dia  |
| 24   | 25658.0001 | 1    | Housing W/Decals, Side Warmer (Includes item 2)   |
| 25   | 02765.0000 | 1    | Decal, Caution - Surfaces and Warmers are Hot   |



## HOOD, TRUNK, PANELS AND BASE W/FAUCET

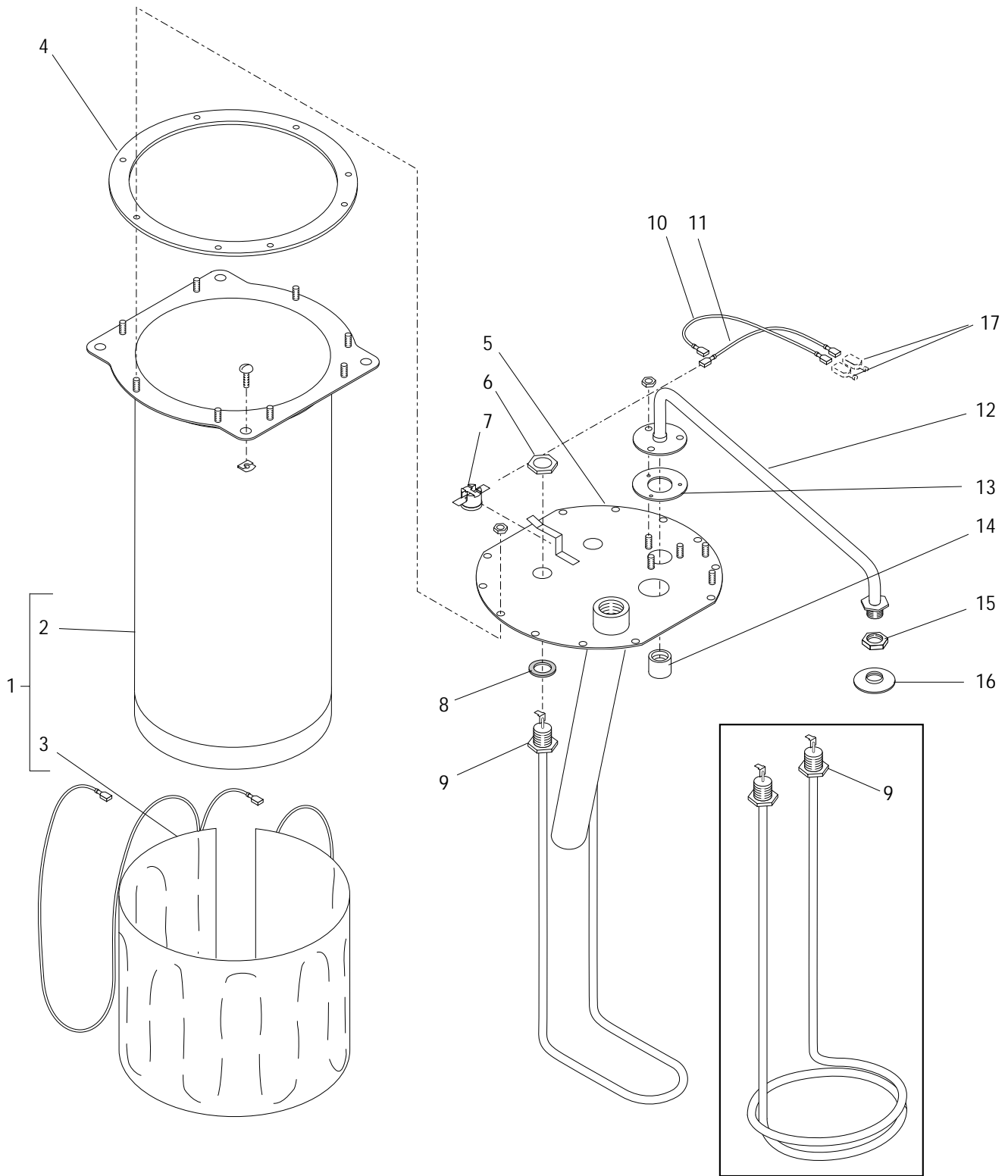
| ITEM | PART NO.   | QTY. | DESCRIPTION   |
|------|------------|------|---|
| 1    | 25310.0001 | 1    | Cover, Top  |
|      | 25633.0003 | 1    | Cover, Top (Brewers W/ Top Warmer. Includes items 2, 4 & 24)                                |
|      | 01303.0000 | 1    | Screw, Pan Head #4-40 x .50"  |
|      | 00916.0000 | 1    | Fastener, J-Type #4.40  |
| 2    | 12364.0000 | 4    | Decal, Caution - Warmers and Surfaces Are Hot (Two less used on brewers without top warmer) |
| 3    | 02722.0000 | 1    | Lid, Pour-In  |
|      | 01319.0000 | 1    | Screw, Thumb #8-32 x .75"   |
|      | 00912.0000 | 1    | Fastener, J-Type #8-32  |
| 4    | 01592.0001 | 1    | Bushing, Snap 1.188" Dia  |
| 5    | 13350.0012 | 1    | Housing, Hood   |
|      | 02308.0000 | 6    | Screw, Pan Head #8-32 x .375"   |
| 6    | 13354.0000 | 1    | Plate, Swivel W/Funnel Rails  |
| 7    | -----      | 1    | Nut (See Tank and Components)   |
| 8    | -----      | 1    | Sprayhead (See Tank and Components)   |
| 9    | 26513.0001 | 1    | Trunk W/Decals (Includes Items 11, 20 and 21)   |
| 10   | 25144.0004 | 1    | Panel W/Decals (Includes items 11 & 12)   |
|      | 01382.0000 | 4    | Screw, Truss Head SST #6-32 x .375"   |
|      | 00988.0000 | 4    | Fastener, U-Type #6-32  |
| 11   | 00658.0000 | 2    | Decal, Caution - Decanter/Funnel  |
| 12   | 10836.0000 | 1    | Schematic, Electrical 120V & 120V/240V  |
| 13   | 25657.0000 | 1    | Housing W/Decals, Base (Includes items 2 & 14)  |
|      | 02308.0000 | 16   | Screw, Pan Head #8-32 x .38"  |
| 14   | 22306.0000 | 2    | Decal, Decorative Stripe  |
| 15   | 12667.0001 | 1    | Cover, Base   |
|      | 02332.0002 | 12   | Screw, Hex-Crimptite #6 x .38"  |
| 16   | 03359.0001 | 4    | Leg, 4" Adjustable BLK  |
| 17   | 03993.0000 | 4    | Pad, Anti-Skid, Rubber (.70" Dia.)  |
| 18   | 01592.0000 | 2    | Bushing, Snap 1" Dia.   |
| 19   | 01593.0000 | 2    | Bushing, Snap 1.5" Dia.   |
| 20   | 00831.0000 | 1    | Decal, Warning - Electrical   |
| 21   | 00656.0000 | 1    | Decal, Comply To Plumbing Code  |
| 22   | 02999.0000 | 1    | Plug, Hole 1.19" Dia  |
| 23   | 25658.0001 | 1    | Housing W/Decals, Side Warmer (Includes item 2)   |
| 24   | 02765.0000 | 1    | Decal, Caution - Surfaces and Warmers are Hot   |





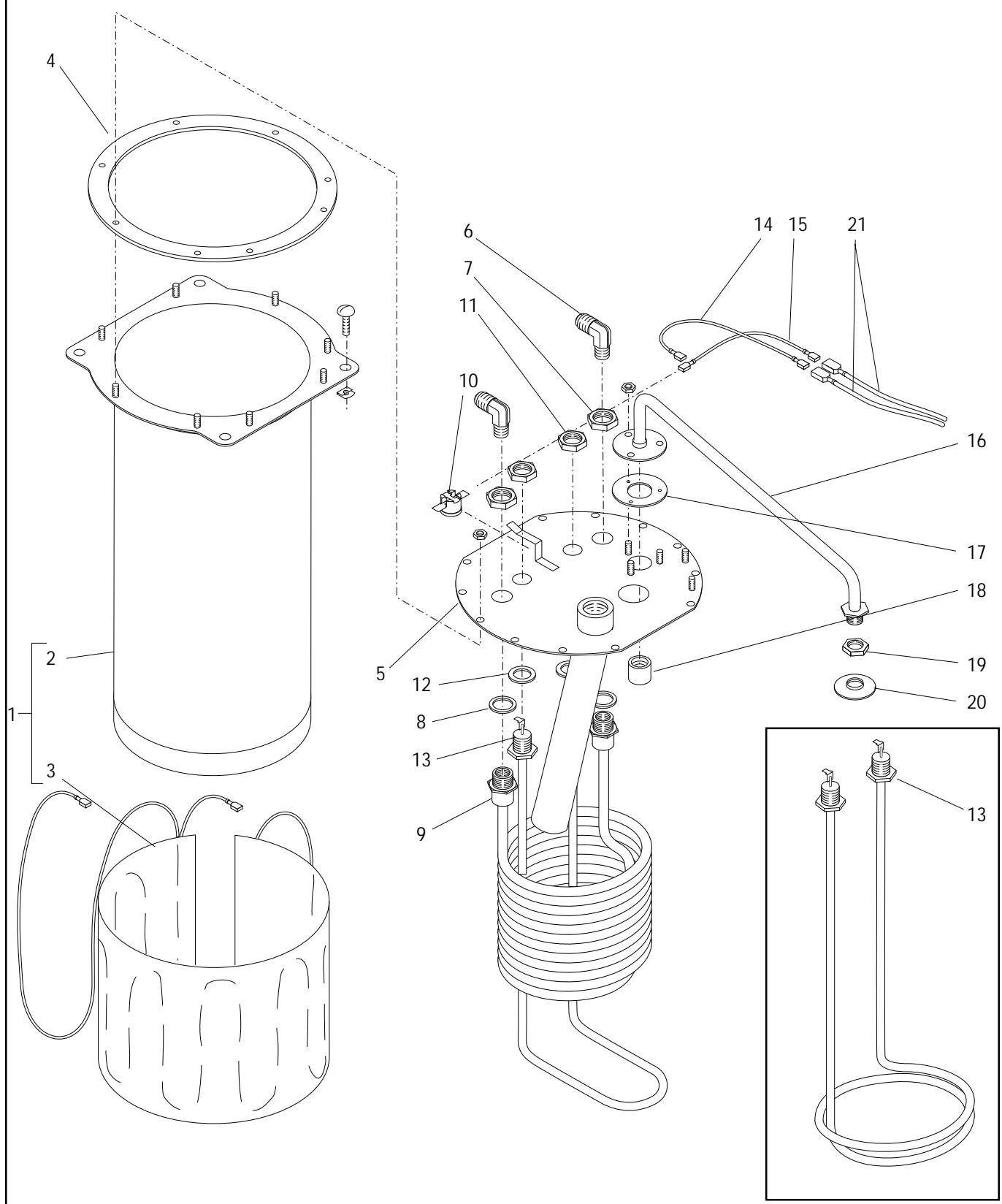
## FILL BASIN

| ITEM | PART NO.   | QTY. | DESCRIPTION   |
|------|------------|------|---|
| 1    | 11424.0000 | 1    | Plate, Splash Guard                                     |
| 2    | 01212.0000 | 1    | Fitting, Tank Inlet                                     |
| 3    | 04270.0002 | 1    | Fill Basin  |
| 4    | 01201.0000 | 1    | Gasket, Tank Inlet                                      |
| 5    | 12914.0002 | 1    | Tube Assembly, Solenoid To Fill Basin (Includes item 6) |
| 6    | 12928.0000 | 1    | Grommet, Basin  |
| 7    | -----      | -    | Solenoid (See STRAINER-FLOW CONTROL, SOLENOID & LINES)  |



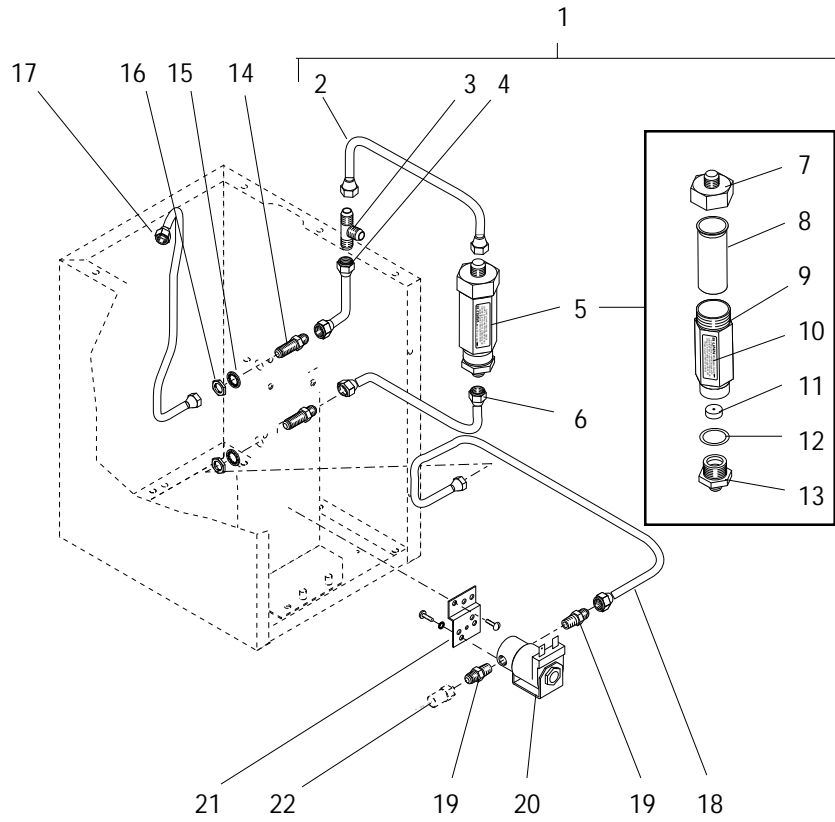
## TANK AND COMPONENTS W/OUT FAUCET

| ITEM | PART NO.   | QTY. | DESCRIPTION   |
|------|------------|------|---|
| -    | 25319.1000 | 1    | Tank Assy, 1320W 120V (Includes items 1 thru 14)                    |
|      | 25319.1001 | 1    | Tank Assy, 1800W 120V (Includes items 1 thru 14)                    |
|      | 25319.1002 | 1    | Tank Assy, 3500W 120/240V (Includes items 1 thru 14)                |
|      | 01315.0000 | 2    | Screw, Truss Head #8-32 x .3/8"                                     |
|      | 00912.0000 | 2    | Fastener, J-Type #8-32  |
| 1    | 04119.0000 | 1    | Tank W/Blanket Warmer, 120V (Includes items 2 & 3)                  |
| 2    | 04118.0000 | 1    | Tank  |
| 3    | 04260.0000 | 1    | Blanket Warmer, 50W 120V  |
| 4    | 04221.0000 | 1    | Gasket, Tank Lid  |
| 5    | 25158.0002 | 1    | Tank Lid Weldment   |
|      | 00908.0000 | 8    | Nut, Hex #8-32  |
| 6    | 00942.0000 | 2    | Nut, Hex .50"-20  |
| 7    | 29329.1000 | 1    | Thermostat, Limit   |
| 8    | 00943.0000 | 2    | Gasket, Tank Heater   |
| 9    | 04236.1000 | 1    | Tank Heater, 1320W 120V   |
|      | 04636.1000 | 1    | Tank Heater, 1800W 120V   |
|      | 04637.1000 | 1    | Tank Heater, 3500W 240V   |
|      |            |      | } Includes item 8   |
| 10   | 23769.0000 | 1    | Lead, Electrical BLK (Thermostat to Heater)                         |
| 11   | 23768.0000 | 1    | Lead, Electrical BLU(Thermostat to Limit)                           |
| 12   | 11431.0002 | 1    | Sprayhead Tube Kit (Includes 3 mounting nuts below & items 13 & 14) |
|      | 00908.0000 | 3    | Nut, Hex #8-32  |
| 13   | 05515.0000 | 1    | Gasket, Sprayhead Tube  |
| 14   | 05518.0000 | 1    | Hub, Syphon   |
| 15   | 01075.0000 | 1    | Nut, Hex .438" - 20   |
| 16   | 01082.0007 | 1    | Sprayhead, 1-Hole (Brewers with Pouch-Pack Funnel)                  |
| 17   | -----      | -    | Thermostat Leads (See Electrical and Operating Controls)            |

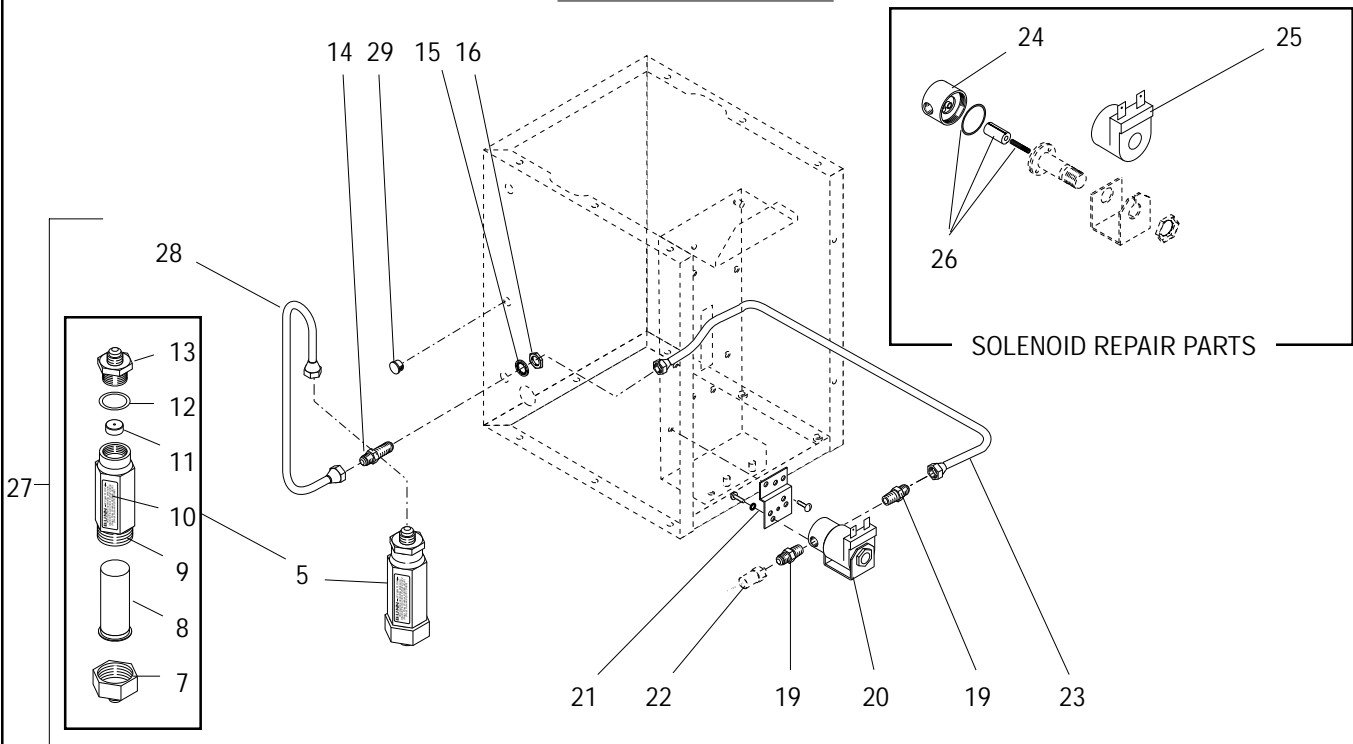


## TANK AND COMPONENTS W/FAUCET

| ITEM | PART NO.   | QTY. | DESCRIPTION   |
|------|------------|------|---|
| -    | 25320.1000 | 1    | Tank Assy, 1320W 120V (Includes items 1 thru 18)                    |
|      | 25320.1001 | 1    | Tank Assy, 1800W 120V (Includes items 1 thru 18)                    |
|      | 25320.1002 | 1    | Tank Assy, 3500W 120/240V (Includes items 1 thru 18)                |
|      | 01315.0000 | 2    | Screw, Truss Head #8-32 x .375"                                     |
|      | 00912.0000 | 2    | Fastener, J-Type #8-32  |
| 1    | 04119.0000 | 1    | Tank W/Blanket Warmer, 120V (Includes items 2 & 3)                  |
| 2    | 04118.0000 | 1    | Tank  |
| 3    | 04260.0000 | 1    | Blanket Warmer, 50W 120V  |
| 4    | 04221.0000 | 1    | Gasket, Tank Lid  |
| 5    | 25158.0003 | 1    | Tank Lid Weldment   |
|      | 00908.0000 | 8    | Nut, Hex #8-32  |
| 6    | 00400.0001 | 2    | Elbow, Male .250" Flare x .125" MPT                                 |
| 7    | 12687.0000 | 2    | Nut, Hex Brass .562"-24 (Water Coil)                                |
| 8    | 12688.0000 | 2    | Gasket, Water Coil  |
| 9    | 12689.1000 | 1    | Coil Assy, Hot Water (Includes item 8)                              |
| 10   | 29329.1000 | 1    | Thermostat, Limit   |
| 11   | 00942.0000 | 2    | Nut, Hex .50"-20 (Tank Heater)                                      |
| 12   | 00943.0000 | 2    | Gasket, Tank Heater   |
| 13   | 04236.1000 | 1    | Tank Heater, 1320W 120V   |
|      | 04636.1000 | 1    | Tank Heater, 1800W 120V   |
|      | 04637.1000 | 1    | Tank Heater, 3500W 240V   |
|      |            |      | } Includes item 12  |
| 14   | 20211.0100 | 1    | Thermal Safety Fuse (Thermostat to Heater)                          |
| 15   | 23768.0000 | 1    | Lead, Electrical BLU (Thermostat to Limit)                          |
| 16   | 11431.0002 | 1    | Sprayhead Tube Kit (Includes 3 mounting nuts below & items 17 & 18) |
|      | 00908.0000 | 3    | Nut, Hex #8-32  |
| 17   | 05515.0000 | 1    | Gasket, Sprayhead tube  |
| 18   | 05518.0000 | 1    | Hub, Syphon   |
| 19   | 01075.0000 | 1    | Nut, Hex .438"-20   |
| 20   | 01082.0007 | 1    | Sprayhead, 1-Hole (Brewers With Pouch-Pack Funnel)                  |
| 21   | -----      | -    | Thermostat Leads (See Electrical and Operating Controls)            |



BREWERS WITH FAUCET



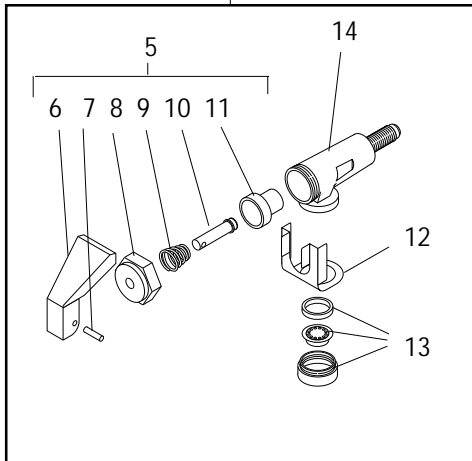
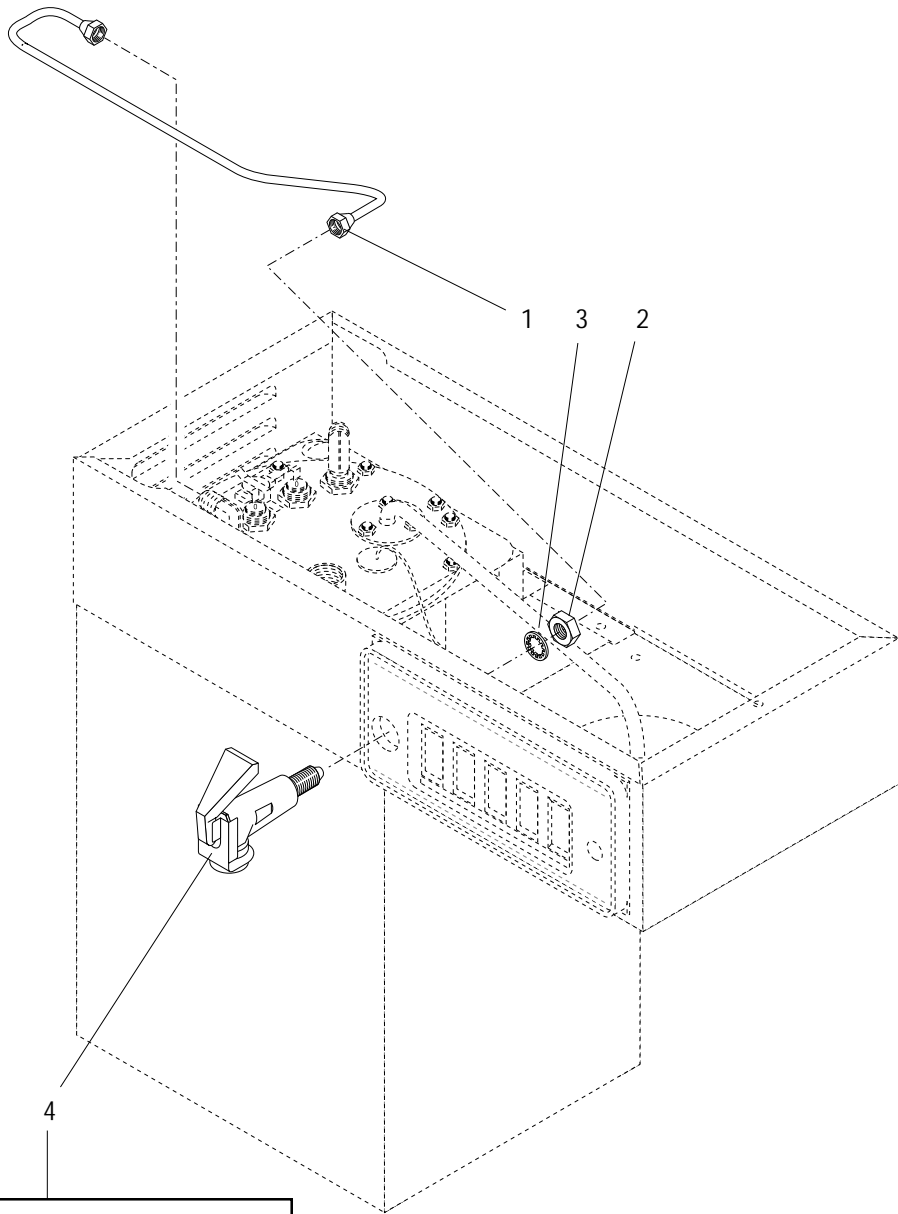
BREWERS WITHOUT FAUCET

## STRAINER - FLOW CONTROL, SOLENOID AND LINES

| ITEM | PART NO.   | QTY. | DESCRIPTION   |
|------|------------|------|---|
| 1    | 26440.0222 | 1    | Strainer/Flow Control Assembly (.222 GPM) (Includes items 2 thru 6) |
| 2    | 26216.0000 | 1    | Tube Assembly, Flow Control to Tee                                  |
| 3    | 20577.0001 | 1    | Tee, .250" Flare  |
| 4    | 21812.0010 | 1    | Tube Assembly, Tee to Bulkhead                                      |
| 5    | 22300.0222 | 1    | Strainer/Flow Control Assembly (.222 GPM)(Includes items 7 thru 13) |
| 6    | 26217.0001 | 1    | Tube Assembly, Flow Control to Bulkhead                             |
| 7    | 22249.0000 | 1    | Fitting, Flow Control Inlet   |
| 8    | 23721.0000 | 1    | Screen  |
| 9    | -----      | 1    | Body (Not Available. Order Item 5)                                  |
| 10   | 22307.0222 | 1    | Decal, (.222 GPM)   |
| 11   | 20526.1222 | 1    | Flow Washer/Gasket Set (.222 GPM)(Includes item 12)                 |
| 12   | 01155.0000 | 1    | Gasket, Flow Control  |
| 13   | 01154.0000 | 1    | Fitting, Flow Control Outlet  |
| 14   | 00459.0000 | 2    | Fitting, Bulkhead .250" Flare                                       |
| 15   | 01532.0000 | 2    | Lockwasher, Internal Tooth .438"                                    |
| 16   | 00463.0000 | 2    | Nut, Hex .438"-20   |
| 17   | 26322.0000 | 1    | Tube Assembly, Bulkhead to Coil                                     |
| 18   | 26320.0000 | 1    | Tube Assembly, Bulkhead to Solenoid                                 |
| 19   | 00402.0001 | 2    | Connector, Male .250" Flare x .125"MPT                              |
| 20   | 01085.0000 | 1    | Solenoid Valve, 120V  |
|      | 01327.0000 | 2    | Screw, Pan Head #10-32 x .375"                                      |
|      | 01502.0000 | 2    | Lockwasher, Split #10   |
| 21   | 07441.0000 | 1    | Bracket, Solenoid Mounting  |
|      | 02308.0000 | 2    | Screw, Pan Head Serrated #8-32 x .375"                              |
| 22   | -----      | 1    | Tube Assembly, Solenoid to Fill Basin (See FILL BASIN)              |
| 23   | 26319.0000 | 1    | Tube Assembly, Bulkhead to Solenoid                                 |
| 24   | 01079.0000 | 1    | Solenoid Valve Base   |
| 25   | 01101.0000 | 1    | Solenoid Valve Coil, 120V   |
| 26   | 01111.0000 | 1    | Solenoid Valve Repair Kit (Includes Plunger, Seal and Spring)       |
| 27   | 24356.0222 | 1    | Strainer/Flow Control Assembly (.222 GPM) (Includes items 5 & 28)   |
| 28   | 24354.0000 | 1    | Tube Assembly, Flow Control to Bulkhead                             |
| 29   | 00670.0000 | 1    | Plug, Hole .437" I.D. (Brewers without Faucet)                      |

One less used on Brewers without Faucet

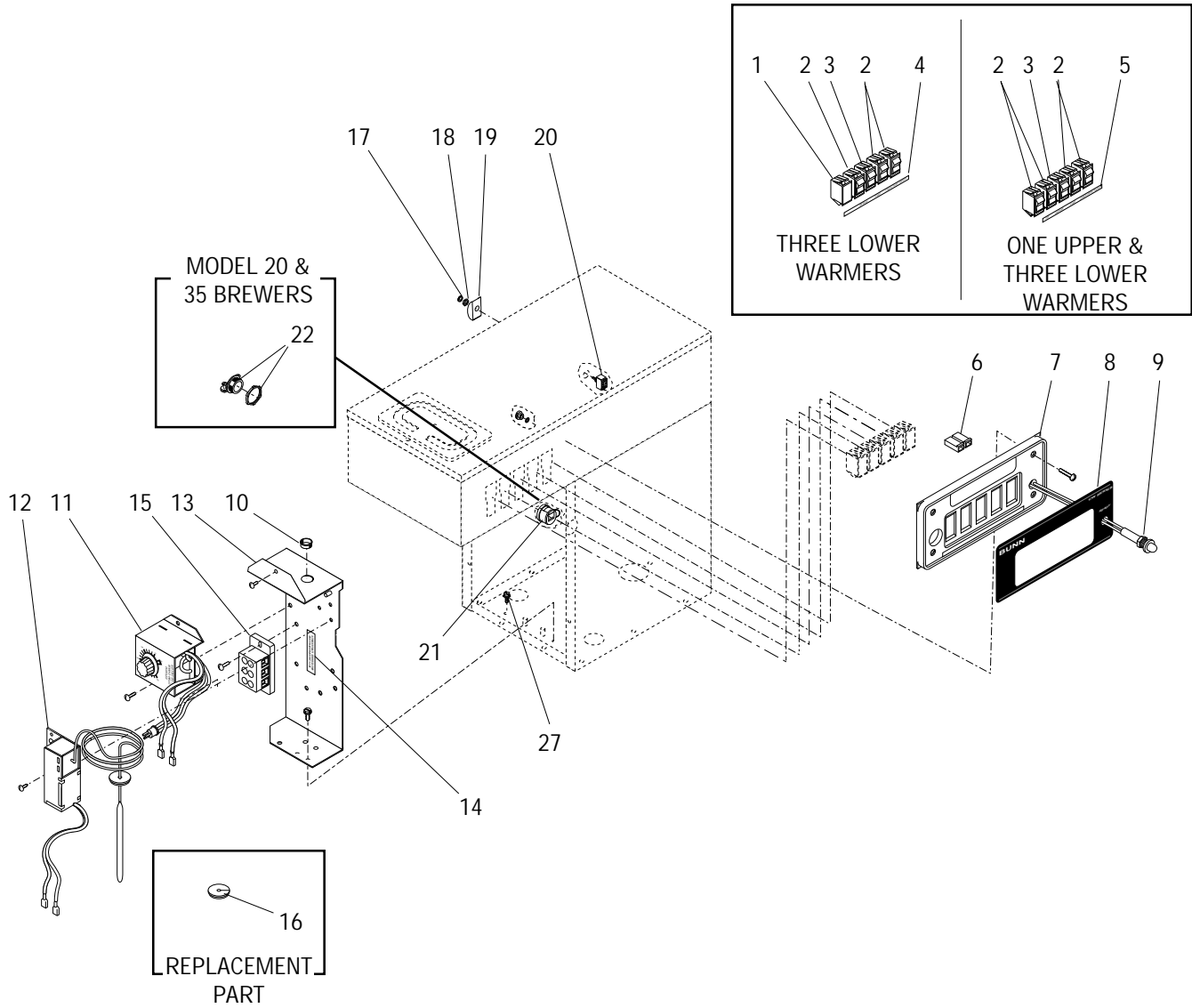
Solenoid Repair Parts





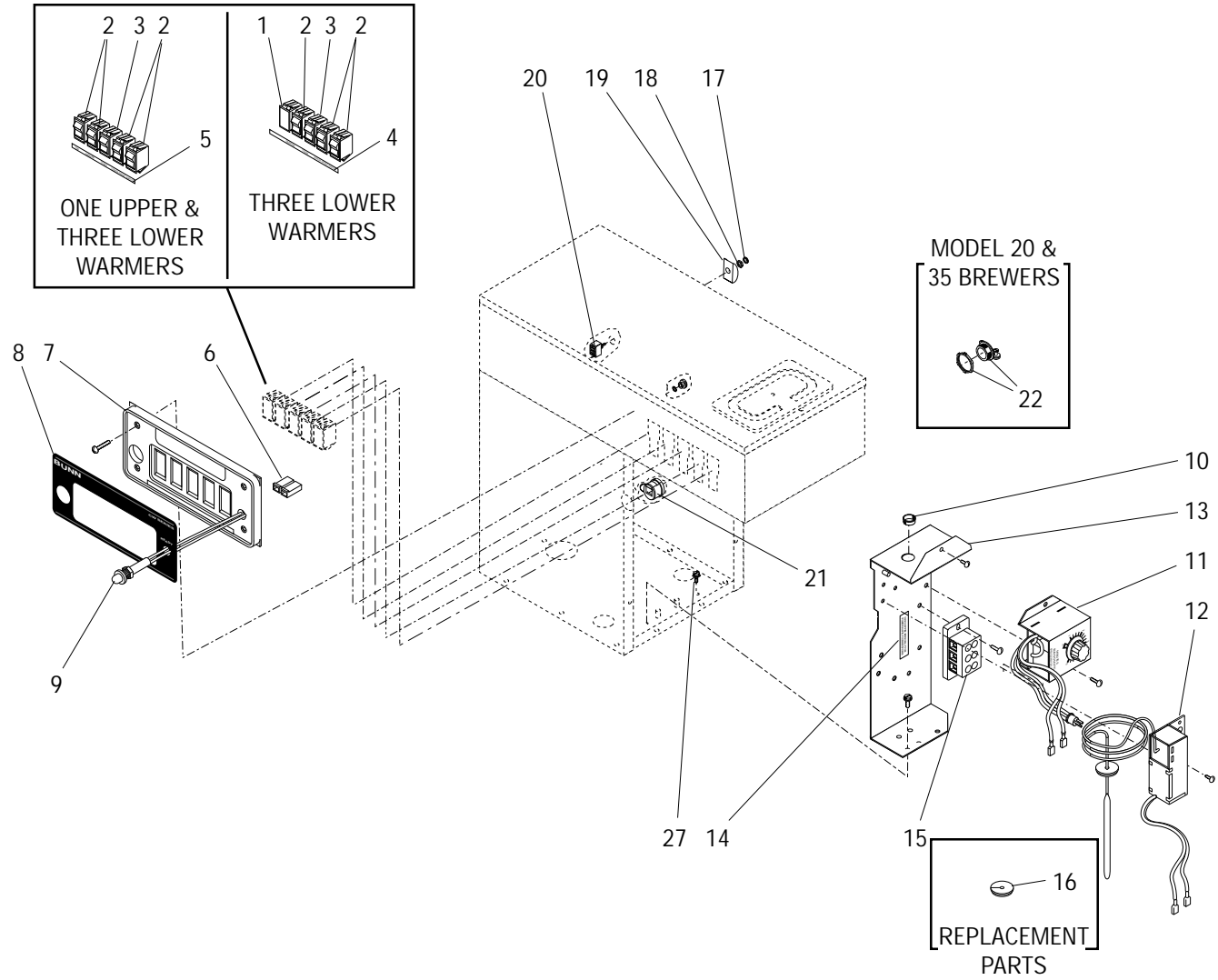
## FAUCET AND TUBING

| ITEM | PART NO.   | QTY. | DESCRIPTION  |
|------|------------|------|--|
| 1    | 26456.0000 | 1    | Tube Assembly, Coil to Faucet                          |
| 2    | 13059.0000 | 1    | Faucet Jam Nut   |
| 3    | 01532.0000 | 1    | Lockwasher, Internal Tooth .438" I.D.                  |
| 4    | 12915.0000 | 1    | Faucet, Hot Water (Includes items 5 thru 14)           |
| 5    | 13061.0000 | 1    | Faucet Handle/Stem Assembly (Includes items 6 thru 11) |
| 6    | 13053.0000 | 1    | Faucet Handle Kit (Includes item 7)                    |
| 7    | 02858.0000 | 1    | Pin, Spring .125" Dia x .50"                           |
| 8    | 13060.0000 | 1    | Faucet Bonnet Nut                                      |
| 9    | 13055.0000 | 1    | Faucet Spring  |
| 10   | 13054.0000 | 1    | Faucet Stem  |
| 11   | 13056.0000 | 1    | Faucet Seat Cup  |
| 12   | 13057.0000 | 1    | Faucet Safety Clip                                     |
| 13   | 13058.0000 | 1    | Faucet Aerator Kit                                     |
| 14   | -----      | 1    | Body, Faucet (Not available. Order item 4)             |



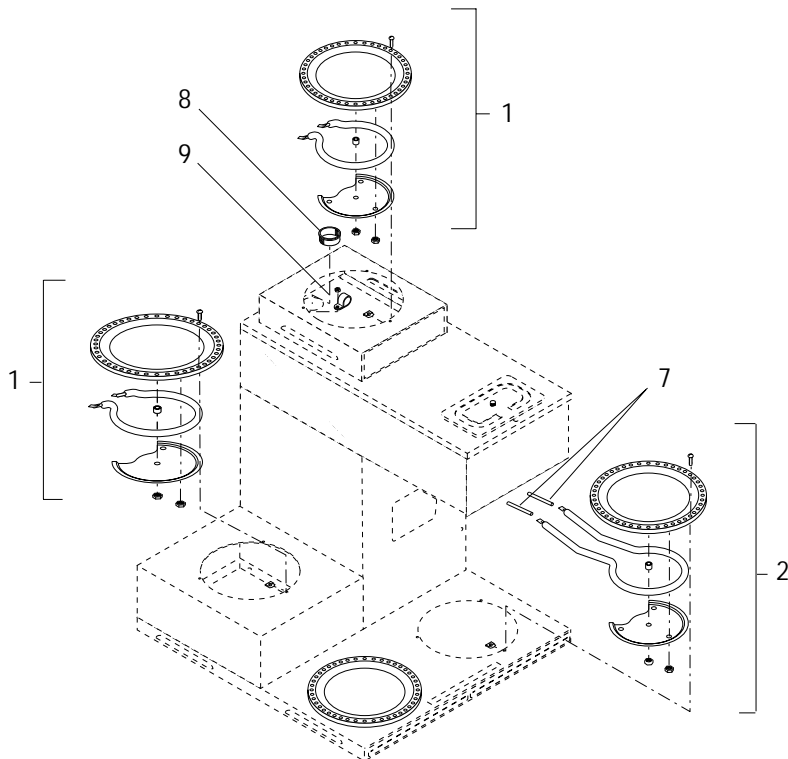
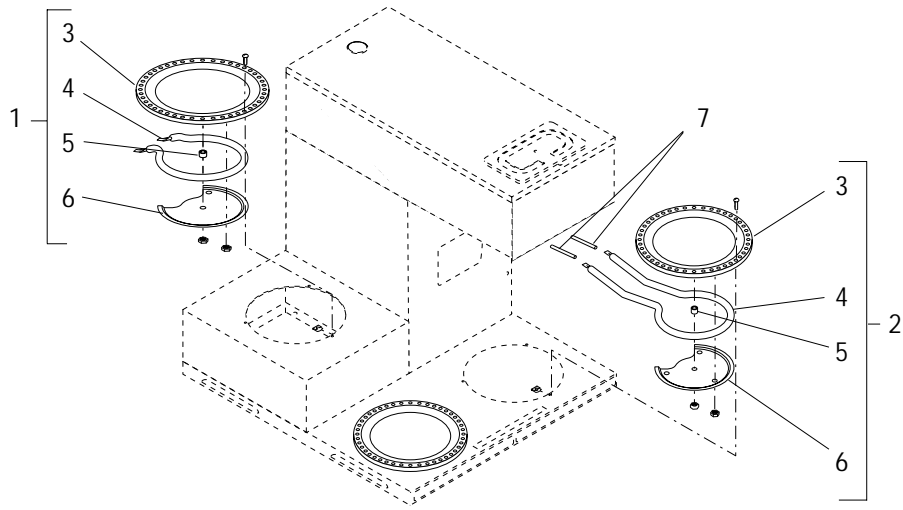
## ELECTRICAL AND OPERATING CONTROLS W/OUT FAUCET

| ITEM | PART NO.   | QTY. | DESCRIPTION  |
|------|------------|------|--|
| 1    | 12921.0000 | 1    | Switch Blank, BLK  |
| 2    | 12920.0000 | 4    | Switch ON/OFF 120V (One less used on brewers w/out top warmer) |
| 3    | 01063.0000 | 1    | Switch, Momentary Start  |
| 4    | 22295.0013 | 1    | Label, Switch ON/OFF (Three lower warmer brewer)               |
| 5    | 22295.0014 | 1    | Label, Switch ON/OFF (Four warmer brewer)                      |
| 6    | 04243.0000 | 2    | Terminal Housing, Receptacle                                   |
| 7    | 13352.0008 | 1    | Control Panel  |
|      | 02301.0000 | 4    | Screw, Phillip Pan Head #6-32 x .625"                          |
|      | 01510.0000 | 4    | Lockwasher, External Tooth #6                                  |
|      | 02371.0000 | 4    | Thumb Nut, Knurled #6-32                                       |
| 8    | 22289.0001 | 1    | Decal, Control Panel   |
| 9    | 12984.0002 | 1    | Light Assembly, 120V Green                                     |
|      | 12984.0004 | 1    | Light Assembly, 240V Green                                     |
|      |            |      | } Includes Item 6  |
| 10   | 01663.0000 | 1    | Bushing, Snap .875" Dia  |
| 11   | 02235.1000 | 1    | Timer, 5 Min. 120V   |
|      | 02308.0000 | 1    | Screw, Pan Head-Serrated #8-32 x .375"                         |
| 12   | 04227.1001 | 1    | Thermostat Kit   |
|      | 02308.0000 | 1    | Screw, Pan Head #8-32 x .375"                                  |
| 13   | 12698.0000 | 1    | Bracket Assembly, Component Mounting                           |
|      | 01347.0000 | 1    | Screw, Truss Head #6-32 x .375"                                |
|      | 02332.0001 | 1    | Screw, Hex-Crimptite #6 x .250"                                |
| 14   | 00870.0000 | 1    | Decal, Use Copper Wire Only                                    |
| 15   | 07038.0000 | 1    | Terminal Block, 3 Pole-Red/White/Black                         |
|      | 01317.0000 | 2    | Screw, Truss Head #8-32 x .50"                                 |
| 16   | 07073.0000 | 1    | Grommet, Thermostat  |
| 17   | 23697.0000 | 1    | Facenut, Plastic   |
| 18   | 23696.0000 | 1    | Nut, Hex   |
| 19   | 25102.0000 | 1    | Bracket, Switch Indicator/Guard                                |
| 20   | 23522.0000 | 1    | Switch, ON/OFF Toggle (Includes item 18)                       |
| 21   | 01686.0000 | 1    | Bushing, Strain Relief (Model I15 Brewers)                     |
| 22   | 01685.0000 | 1    | Connector, Cable .50 MPT (Model 20 & 35 Brewers)               |
| 23   | 01719.0000 | 1    | Power Cord Assembly (Model 15 Brewers Only)                    |
| 24   | 12985.0000 | 1    | Wiring Harness, Ready Light                                    |
| 25   | 25328.0000 | 1    | Wiring Harness, Main 120V                                      |
|      | 25329.0000 | 1    | Wiring Harness, Main 120V/240V                                 |
|      |            |      | } Not Illustrated  |
| 26   | 12919.0000 | -    | Cap, Terminal (Use as required)                                |
| 27   | 02337.0001 | 1    | Screw, Hex Head #10 x .375" (Cord Ground)                      |



## ELECTRICAL AND OPERATING CONTROLS W/FAUCET

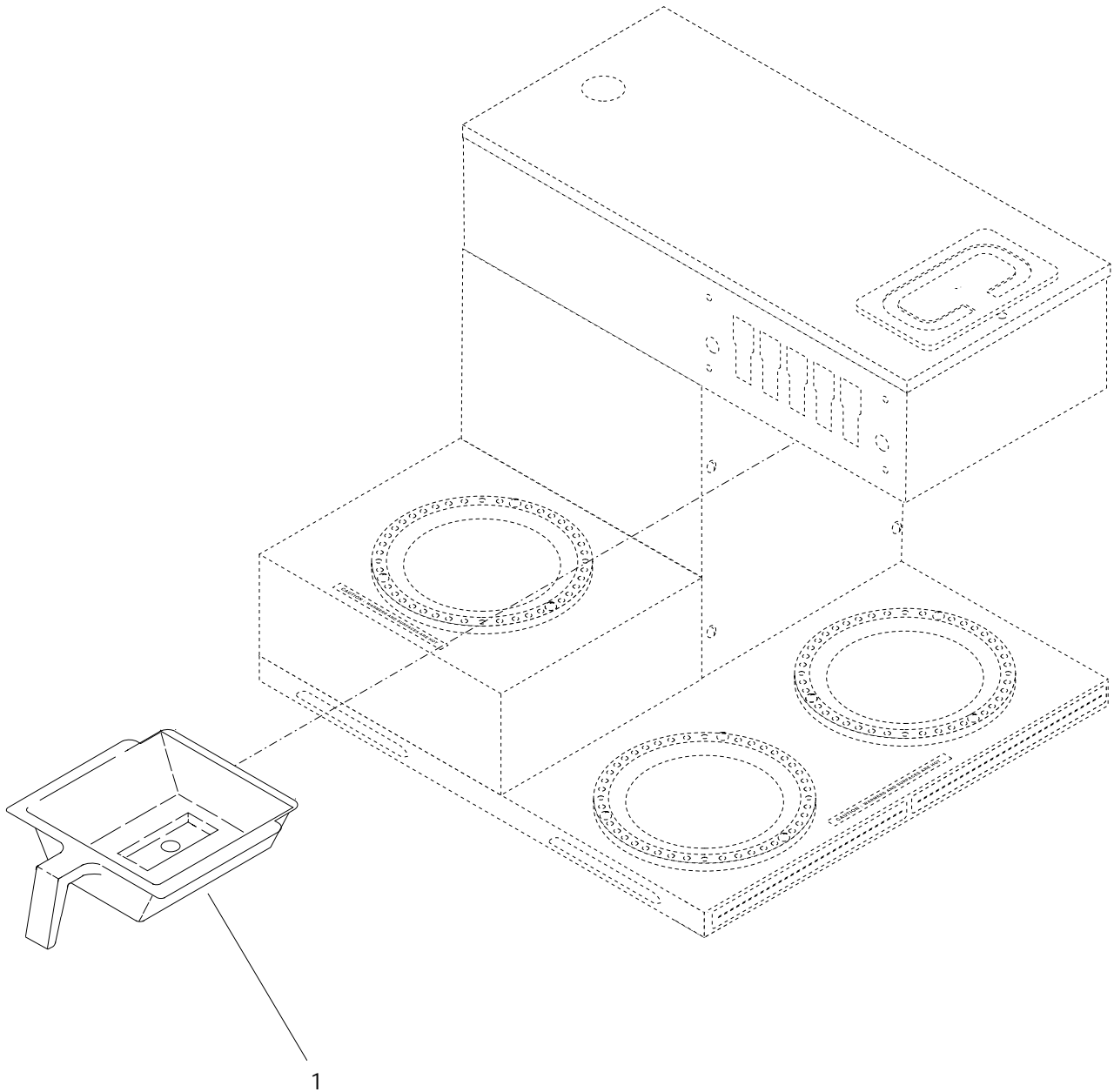
| ITEM | PART NO.   | QTY. | DESCRIPTION  |
|------|------------|------|--|
| 1    | 12921.0000 | 1    | Switch Blank, BLK  |
| 2    | 12920.0000 | 4    | Switch ON/OFF 120V (One less used on brewers w/out top warmer) |
| 3    | 01063.0000 | 1    | Switch, Momentary Start  |
| 4    | 22295.0013 | 1    | Label, Switch ON/OFF (Three lower warmer brewer)               |
| 5    | 22295.0014 | 1    | Label, Switch ON/OFF (Four warmer brewer)                      |
| 6    | 04243.0000 | 2    | Terminal Housing, Receptacle                                   |
| 7    | 13352.0008 | 1    | Control Panel  |
|      | 02301.0000 | 4    | Screw, Phillip Pan Head #6-32 x .625"                          |
|      | 01510.0000 | 4    | Lockwasher, External Tooth #6                                  |
|      | 02371.0000 | 4    | Thumb Nut, Knurled #6-32                                       |
| 8    | 22289.0003 | 1    | Decal, Control Panel   |
| 9    | 12984.0002 | 1    | Light Assembly, 120V Green                                     |
|      | 12984.0004 | 1    | Light Assembly, 240V Green                                     |
|      |            |      | } Includes item 6  |
| 10   | 01663.0000 | 1    | Bushing, Snap .875" Dia  |
| 11   | 02235.1000 | 1    | Timer, 5 Min. 120V   |
|      | 02308.0000 | 1    | Screw, Pan Head-Serrated #8-32 x .375"                         |
| 12   | 04227.1001 | 1    | Thermostat Kit   |
|      | 02308.0000 | 1    | Screw, Pan Head #8-32 x .375"                                  |
| 13   | 12698.0000 | 1    | Bracket Assembly, Component Mounting                           |
|      | 01347.0000 | 1    | Screw, Truss Head #6-32 x .375"                                |
|      | 02332.0001 | 1    | Screw, Hex-Crimptite #6 x .250"                                |
| 14   | 00870.0000 | 1    | Decal, Use Copper Wire Only                                    |
| 15   | 07038.0000 | 1    | Terminal Block, 3 Pole-Red/White/Black                         |
|      | 01317.0000 | 2    | Screw, Truss Head #8-32 x .50"                                 |
| 16   | 07073.0000 | 1    | Grommet, Thermostat  |
| 17   | 23697.0000 | 1    | Facenut, Plastic   |
| 18   | 23696.0000 | 1    | Nut, Hex   |
| 19   | 25102.0000 | 1    | Bracket, Switch Indicator/Guard                                |
| 20   | 23522.0000 | 1    | Switch, ON/OFF Toggle (Includes item 18)                       |
| 21   | 01686.0000 | 1    | Bushing, Strain Relief (Model 15 Brewers)                      |
| 22   | 01685.0000 | 1    | Connector, Cable .50 MPT (Model 20 & 35 Brewers)               |
| 23   | 01719.0000 | 1    | Power Cord Assembly (Model 15 Brewers Only)                    |
| 24   | 12985.0000 | 1    | Wiring Harness, Ready Light                                    |
| 25   | 25328.0000 | 1    | Wiring Harness, Main 120V                                      |
|      | 25329.0000 | 1    | Wiring Harness, Main 120V/240V                                 |
|      |            |      | } Not Illustrated  |
| 26   | 12919.0000 | -    | Cap, Terminal (Use as required)                                |
| 27   | 02337.0001 | 1    | Screw, Hex Head #10 x .375" (Cord Ground)                      |



## WARMER ASSEMBLIES

| ITEM | PART NO.   | QTY. | DESCRIPTION   |
|------|------------|------|---|
| 1    | 03652.0000 | 1    | Warmer Assembly 100W 120V, Top and Side Warmers (Includes items 3 thru 6) |
|      | 01303.0000 | 3    | Screw, Pan Head #4-40 x .50"  |
|      | 00916.0000 | 3    | Fastener, J-Type #4-40  |
| 2    | 11440.0005 | 1    | Warmer Assembly 100W 120V, Base Warmers (Includes items 3 thru 6)         |
|      | 01303.0000 | 3    | Screw, Pan Head #4-40 x .50"  |
|      | 00916.0000 | 3    | Fastener, J-Type #4-40  |
| 3    | 03656.0000 | 1    | Warmer Dish, Blk 45 Hole  |
| 4    | 01227.0000 | 1    | Warmer Element 100W 120V Top and Side Warmers                             |
|      | 11442.0000 | 1    | Warmer Element 100W 120V Base Warmers                                     |
| 5    | 13042.0001 | 1    | Spacer, .174" I.D. x .188   |
| 6    | 05212.0000 | 1    | Plate, Element Retaining  |
|      | 00970.0000 | 2    | Nut, Keps #8-32   |
| 7    | -----      | 2    | Tube, Silicone .250" Dia x 1.88" LG. (Order Item 11)                      |
| 8    | -----      | 1    | Bushing, Snap 1.188" Dia. (See Hood And Top Covers)                       |
| 9    | 28382.0000 | 1    | Clamp, Routing  |
| 10   | 25348.0000 | 1    | Wiring Harness, Top Warmer 120V   |
|      | 12922.0000 | 1    | Wiring Harness, Three Warmer Brewers 120V                                 |
|      | 25326.0000 | 1    | Wiring Harness, Four Warmer Brewers 120V                                  |
| 11   | 04828.1001 | -    | Tube, Silicone .250" Dia. x 24" LG (Use as required)                      |

Not  
Illustrated





## FUNNEL

| ITEM | PART NO.   | QTY. | DESCRIPTION                              |
|------|------------|------|--|
| 1    | 04274.0002 | 1    | Funnel, Pouch-Pack Black (Large)(7.125") |

## NUMERICAL INDEX

| PART NO.   | PAGE NO.     | PART NO.   | PAGE NO. | PART NO.   | PAGE NO. | PART NO.   | PAGE NO. |
|------------|--------------|------------|----------|------------|----------|------------|----------|
| 00400.0001 | 13           | 02765.0000 | 5,7      | 13059.0000 | 17       | 26513.0001 | 7        |
| 00402.0001 | 15           | 02858.0000 | 17       | 13060.0000 | 17       | 28382.0000 | 23       |
| 00459.0000 | 15           | 02999.0000 | 5,7      | 13061.0000 | 17       | 29329.1000 | 11,13    |
| 00463.0000 | 15           | 03359.0001 | 5,7      | 13350.0012 | 7        |            |          |
| 00656.0000 | 5,7          | 03652.0000 | 23       | 13350.0013 | 5        |            |          |
| 00658.0000 | 5,7          | 03656.0000 | 23       | 13352.0008 | 19,21    |            |          |
| 00670.0000 | 5,15         | 03993.0000 | 5,7      | 13354.0000 | 5,7      |            |          |
| 00831.0000 | 5,7          | 04118.0000 | 11,13    | 20211.0100 | 13       |            |          |
| 00870.0000 | 19,21        | 04119.0000 | 11,13    | 20526.1222 | 15       |            |          |
| 00908.0000 | 11,13        | 04221.0000 | 11,13    | 20577.0001 | 15       |            |          |
| 00912.0000 | 5,7,11,13    | 04227.1001 | 19,21    | 21812.0010 | 15       |            |          |
| 00916.0000 | 5,7,23       | 04236.1000 | 11,13    | 22249.0000 | 15       |            |          |
| 00942.0000 | 11,13        | 04243.0000 | 19,21    | 22289.0001 | 19       |            |          |
| 00943.0000 | 11,13        | 04260.0000 | 11,13    | 22289.0003 | 21       |            |          |
| 00970.0000 | 23           | 04270.0002 | 9        | 22295.0013 | 19,21    |            |          |
| 00988.0000 | 5,7          | 04274.0002 | 25       | 22295.0014 | 19,21    |            |          |
| 01063.0000 | 19,21        | 04636.1000 | 11,13    | 22300.0222 | 15       |            |          |
| 01075.0000 | 11,13        | 04637.1000 | 11,13    | 22306.0000 | 5,7      |            |          |
| 01079.0000 | 15           | 04828.1001 | 23       | 22307.0222 | 15       |            |          |
| 01082.0007 | 11,13        | 05212.0000 | 23       | 23522.0000 | 19,21    |            |          |
| 01085.0000 | 15           | 05515.0000 | 11,13    | 23696.0000 | 19,21    |            |          |
| 01101.0000 | 15           | 05518.0000 | 11,13    | 23697.0000 | 19,21    |            |          |
| 01111.0000 | 15           | 07038.0000 | 19,21    | 23721.0000 | 15       |            |          |
| 01154.0000 | 15           | 07073.0000 | 19,21    | 23768.0000 | 11,13    |            |          |
| 01155.0000 | 15           | 07441.0000 | 15       | 23769.0000 | 11       |            |          |
| 01201.0000 | 9            | 10836.0000 | 5,7      | 24354.0000 | 15       |            |          |
| 01212.0000 | 9            | 11424.0000 | 9        | 24356.0222 | 15       |            |          |
| 01227.0000 | 23           | 11431.0002 | 11,13    | 25102.0000 | 19,21    |            |          |
| 01303.0000 | 5,7,23       | 11440.0005 | 23       | 25144.0004 | 5,7      |            |          |
| 01315.0000 | 11,13        | 11442.0000 | 23       | 25158.0002 | 11       |            |          |
| 01317.0000 | 19,21        | 12364.0000 | 5,7      | 25158.0003 | 13       |            |          |
| 01319.0000 | 5,7          | 12667.0001 | 5,7      | 25310.0001 | 5,7      |            |          |
| 01327.0000 | 15           | 12687.0000 | 13       | 25319.1000 | 11       |            |          |
| 01347.0000 | 19,21        | 12688.0000 | 13       | 25319.1001 | 11       |            |          |
| 01382.0000 | 5,7          | 12689.1000 | 13       | 25319.1002 | 11       |            |          |
| 01502.0000 | 15           | 12698.0000 | 19,21    | 25320.1000 | 13       |            |          |
| 01510.0000 | 19,21        | 12914.0002 | 9        | 25320.1001 | 13       |            |          |
| 01532.0000 | 15,17        | 12915.0000 | 17       | 25320.1002 | 13       |            |          |
| 01592.0000 | 5,7          | 12919.0000 | 19,21    | 25326.0000 | 23       |            |          |
| 01592.0001 | 5,7          | 12920.0000 | 19,21    | 25328.0000 | 19,21    |            |          |
| 01593.0000 | 5,7          | 12921.0000 | 19,21    | 25329.0000 | 19,21    |            |          |
| 01663.0000 | 19,21        | 12922.0000 | 23       | 25348.0000 | 23       |            |          |
| 01685.0000 | 19,21        | 12928.0000 | 9        | 25633.0003 | 5,7      |            |          |
| 01686.0000 | 19,21        | 12984.0002 | 19,21    | 25657.0000 | 5,7      |            |          |
| 01719.0000 | 19,21        | 12984.0004 | 19,21    | 25658.0001 | 5,7      |            |          |
| 02235.1000 | 19,21        | 12985.0000 | 19,21    | 26216.0000 | 15       |            |          |
| 02301.0000 | 19,21        | 13042.0001 | 23       | 26217.0001 | 15       |            |          |
| 02308.0000 | 5,7,15,19,21 | 13053.0000 | 17       | 26319.0000 | 15       |            |          |
| 02332.0001 | 19,21        | 13054.0000 | 17       | 26320.0000 | 15       |            |          |
| 02332.0002 | 5,7          | 13055.0000 | 17       | 26322.0000 | 15       |            |          |
| 02337.0001 | 19,21        | 13056.0000 | 17       | 26440.0222 | 15       |            |          |
| 02371.0000 | 19,21        | 13057.0000 | 17       | 26456.0000 | 17       |            |          |
| 02722.0000 | 5,7          | 13058.0000 | 17       | 26513.0000 | 5        |            |          |