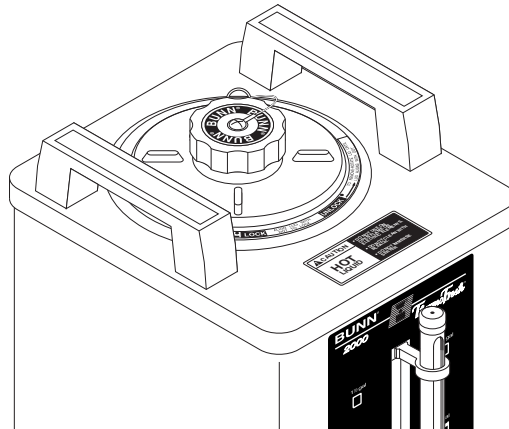
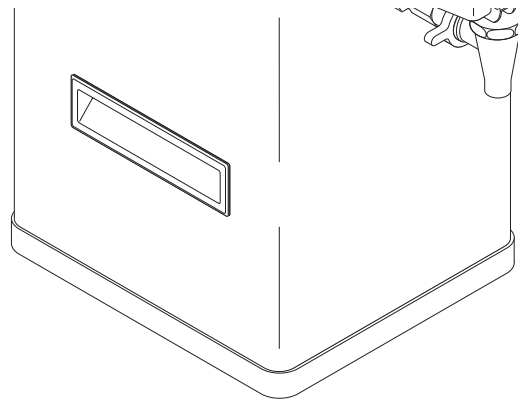


BUNN®

ThermoFresh™ *Server*



DISCONTINUED VERSION
Parts listed in this catalog
may no longer be available.



ILLUSTRATED PARTS CATALOG

Designs, materials, weights, specifications, and dimensions for equipment or replacement parts are subject to change without notice.

BUNN-O-MATIC CORPORATION

POST OFFICE BOX 3227

SPRINGFIELD, ILLINOIS 62708-3227

PHONE: (217) 529-6601 FAX: (217) 529-6644

WARRANTY

Bunn-O-Matic Corp. ("Bunn") warrants the equipment manufactured by it to be commercially free from defects in material and workmanship existing at the time of manufacture and appearing within one year from the date of installation. In addition:

1.) Bunn warrants electronic circuit and/or control boards to be commercially free from defects in material and workmanship for three years from the date of installation.

2.) Bunn warrants the compressor on refrigeration equipment to be commercially free from defects in material and workmanship for two years from the date of installation.

3.) Bunn warrants that the grinding burrs on coffee grinding equipment will grind coffee to meet original factory screen sieve analysis for three years from date of installation or for 30,000 pounds of coffee, whichever comes first.

This warranty does not apply to any equipment, component or part that was not manufactured by Bunn or that, in Bunn's judgement, has been affected by misuse, neglect, alteration, improper installation or operation, improper maintenance or repair, damage or casualty.

THE FOREGOING WARRANTY IS EXCLUSIVE AND IS IN LIEU OF ANY OTHER WARRANTY, WRITTEN OR ORAL, EXPRESS OR IMPLIED, INCLUDING, BUT NOT LIMITED TO, ANY IMPLIED WARRANTY OF EITHER MERCHANTABILITY OR FITNESS FOR A PARTICULAR PURPOSE. The agents, dealers or employees of Bunn are not authorized to make modifications to this warranty or to make additional warranties that are binding on Bunn. Accordingly, statements by such individuals, whether oral or written, do not constitute warranties and should not be relied upon.

The Buyer shall give Bunn prompt notice of any claim to be made under this warranty by telephone at (217) 529-6601 or by writing to Post Office Box 3227, Springfield, Illinois, 62708-3227. If requested by Bunn, the Buyer shall ship the defective equipment prepaid to an authorized Bunn service location. If Bunn determines, in its sole discretion, that the equipment does not conform to the warranty, Bunn shall repair the equipment with no charge for parts during the warranty period and no charge for labor by a Bunn Authorized Service Representative during the warranty period. If Bunn determines that repair is not feasible, Bunn shall, at its sole option, replace the equipment or refund the purchase price for the equipment.

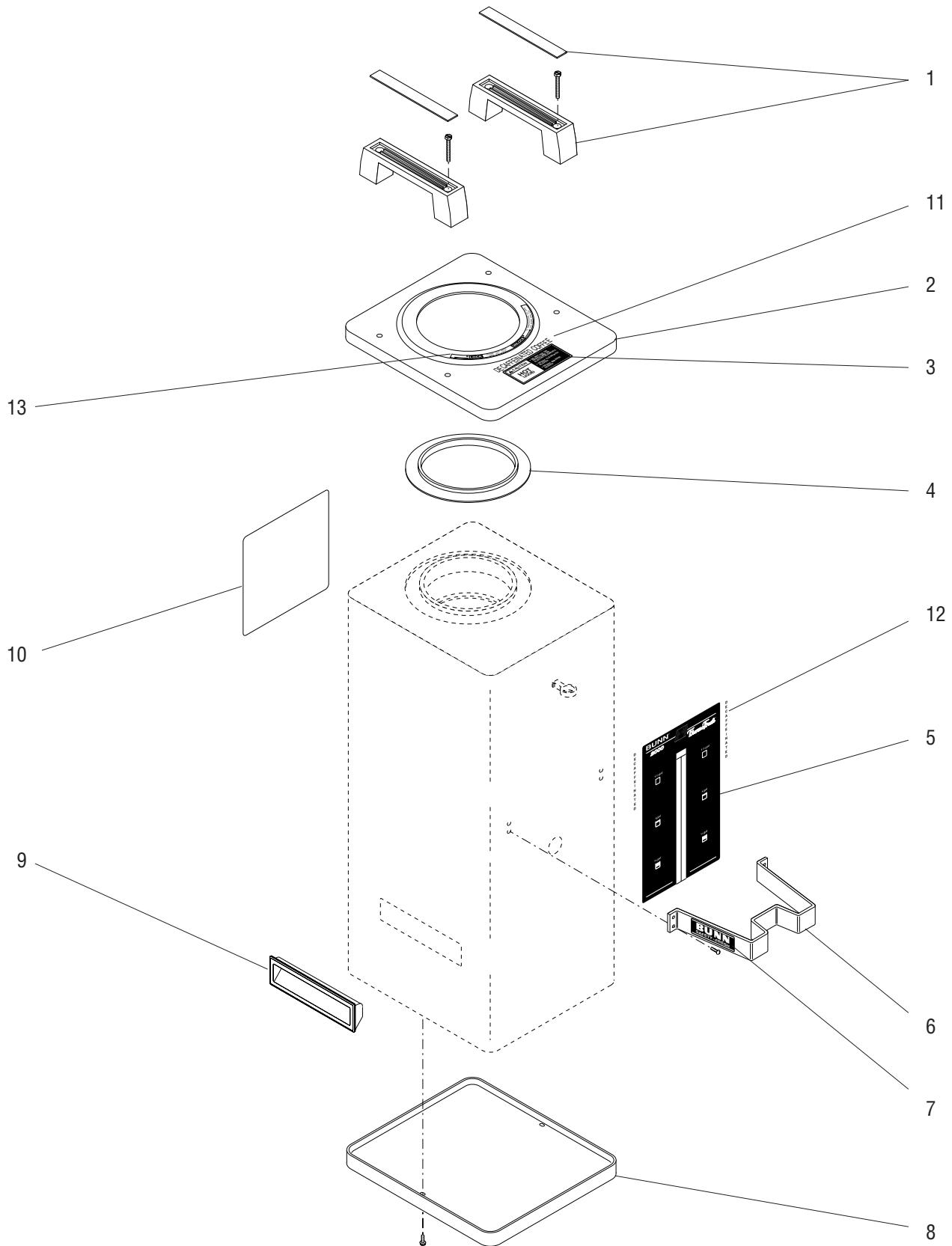
THE BUYER'S REMEDY AGAINST BUNN FOR THE BREACH OF ANY OBLIGATION ARISING OUT OF THE SALE OF THIS EQUIPMENT, WHETHER DERIVED FROM WARRANTY OR OTHERWISE, SHALL BE LIMITED, AS SPECIFIED HEREIN, TO REPAIR OR, AT BUNN'S SOLE OPTION, REPLACEMENT OR REFUND.

In no event shall Bunn be liable for any other damage or loss, including, but not limited to, lost profits, lost sales, loss of use of equipment, claims of Buyer's customers, cost of capital, cost of down time, cost of substitute equipment, facilities or services, or any other special, incidental or consequential damages.

TABLE OF CONTENTS

Covers, Handles and Guard	4
Faucet and Sight Gauge	8
Lid Assembly	6
Numerical Index.....	10

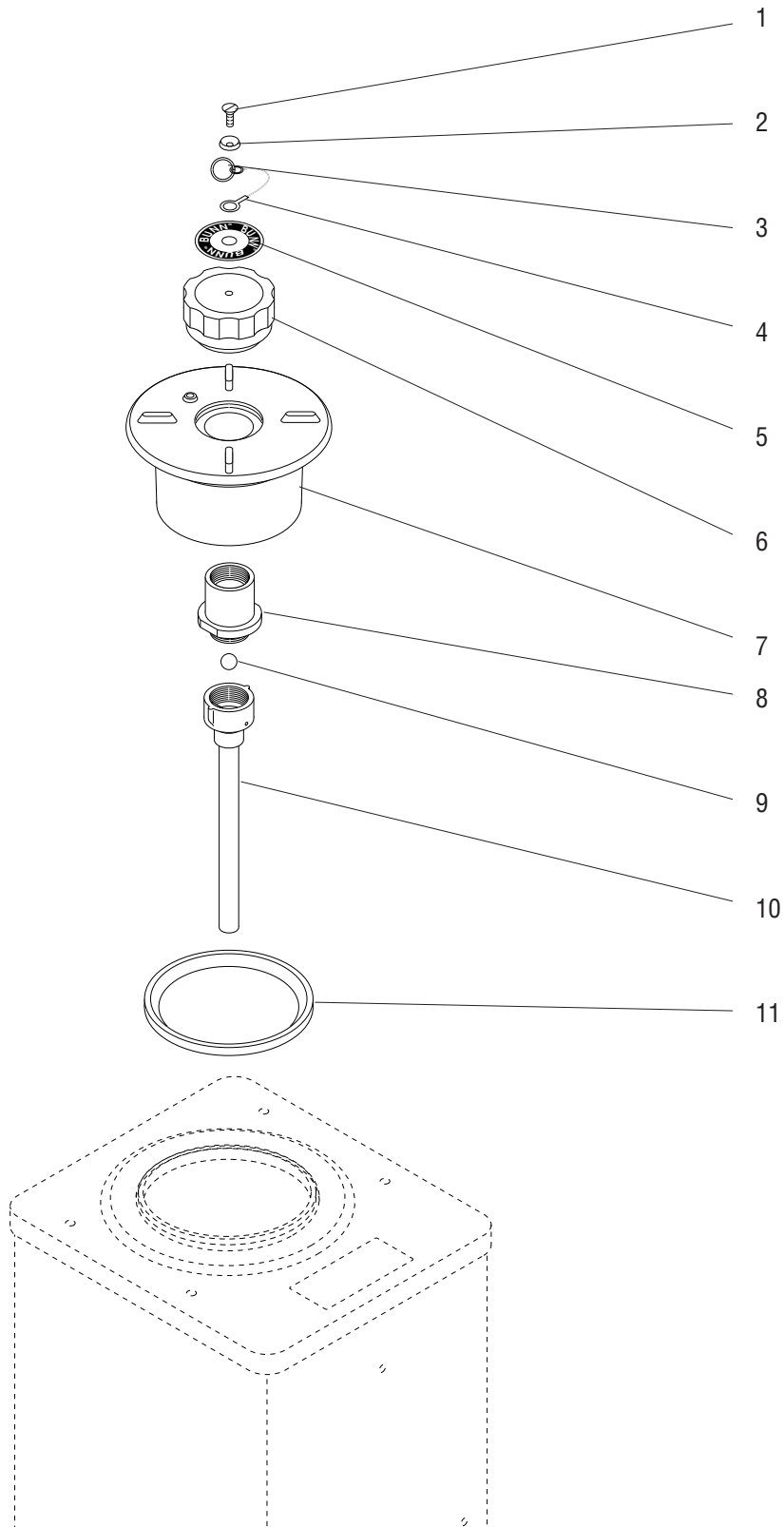
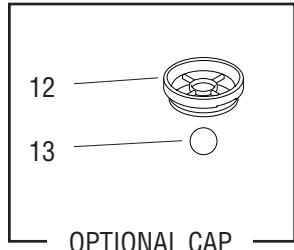
-



COVERS, HANDLES AND GUARD

ITEM	PART NO.	QTY.	DESCRIPTION
1	26181.0000	2	Handle, Top
	01327.0001	4	Screw, Pan Head 10 - 32 x 1.0"
2	26187.0000	1	Cover W/Decal, Top (Includes items 3 & 13)
3	26186.0000	1	Decal, Caution-Hot Liquid
4	25872.0000	1	Gasket, Top Cover
5	26178.0000	1	Decal, Bunn W/Red Stripe
6	-----	1	Faucet Guard W/Decals (SST)(Includes item 7)(Not available. Order 21939.0000)
	21939.0000	1	Faucet Guard W/Decals (BLK)(Includes item 7)
	26182.0000	4	Screw, Truss Head 8 - 32 x .38" (Early models)
	02329.0002	4	Screw, Round Head 8 - 32 x .31" (Late models)
7	20968.0000	2	Decal, Safety Fresh
8	25880.0000	1	Trim Ring, Bottom
	26432.0000	2	Screw, Hex Washer 4 - 40 x .375" (Early models)
	02328.0000	2	Screw, Pan Head 6 - 32 x .375" (Late models)
9	21434.0000	2	Handle, Snap-in
10	26180.0000	1	Decal, Instructions (W/Sight Gauge Valve)
	26180.0001	1	Decal, Instructions (W/O Sight Gauge Valve)
11	00879.0000	1	Decal, Decaffeinated Coffee
12	24261.0000	2	Decal, Decaffeinated Coffee (Vertical)
13	26803.0000	1	Decal, Lock-Unlock

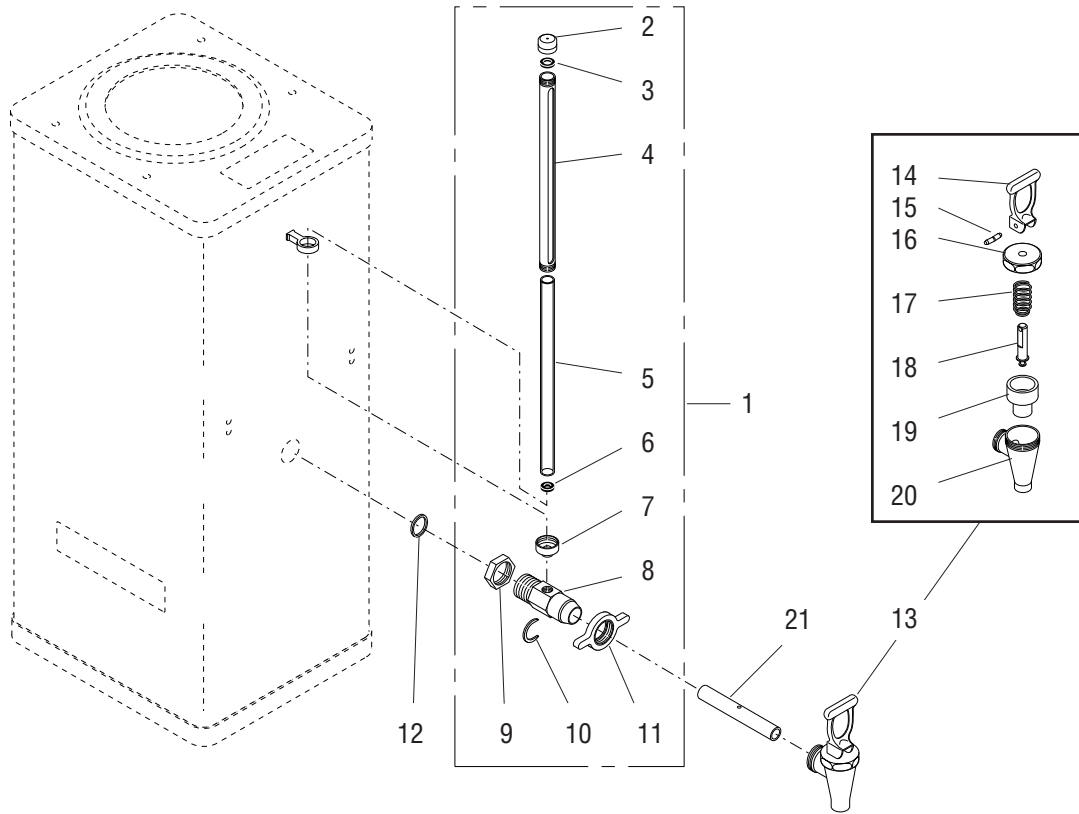
} Install as required



LID ASSEMBLY

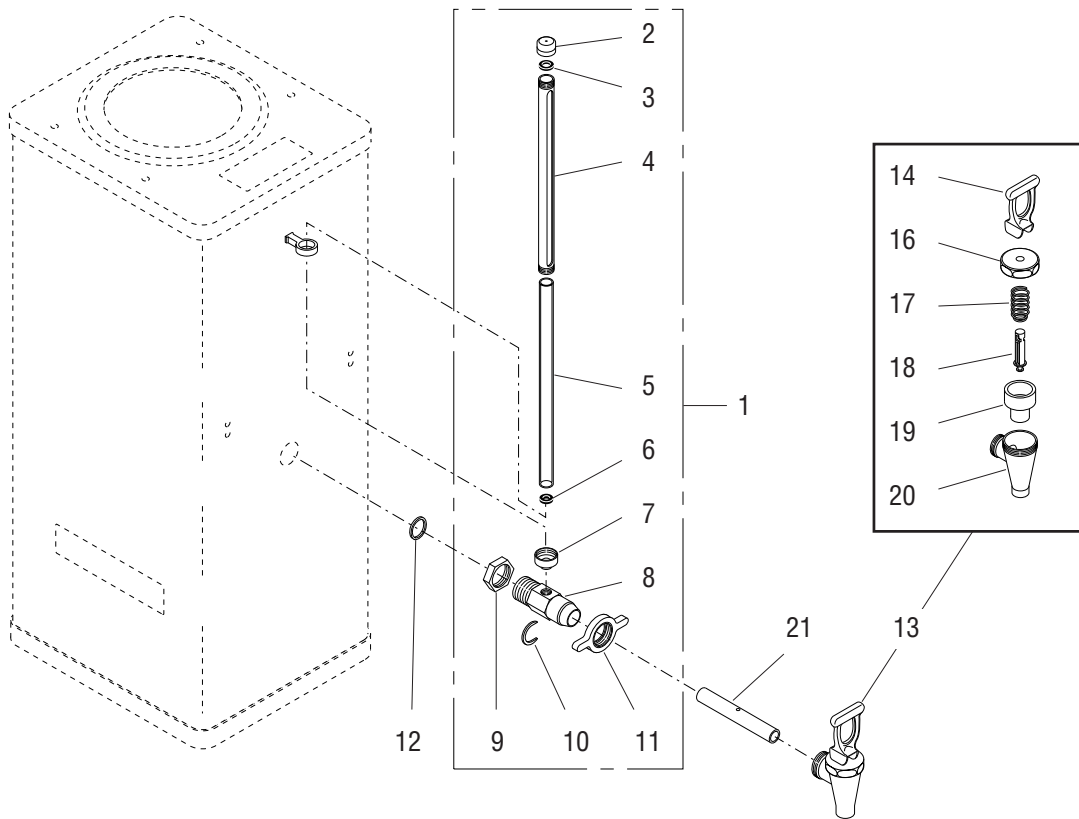
ITEM	PART NO.	QTY.	DESCRIPTION
1	26380.0000	1	Screw, Nylon 8 - 32 x .375"
2	26379.0000	1	Washer, Nylon
3	26361.0000	1	Split Ring
4	26384.0000	1	Tether Line Kit, Top Cap (Includes items 1 & 2)
5	26360.0000	1	Decal, Cap Insert
6	26197.0000	1	Cap W/Decal, Top (Includes item 5)
7	25871.1000	1	Lid Assy, Reservoir (Includes item 8)
8	25953.0000	1	Cup, Retainer
9	00598.0002	1	Ball, .50"
10	25875.0000	1	Tube Assy, Inlet
11	25952.0000	1	Seal, Top Cover
12	12289.0001	1	Retainer Cap, Top
13	12327.0000	1	Ball
14	25871.1001	1	Lid Assy, Reservoir (Includes items 3, 7, 8, 9, 10, 12 & 13)

} Optional Cap



MODELS WITH CHROME FAUCET

P859



MODELS WITH PLASTIC FAUCET

P886

FAUCET AND SIGHT GAUGE

ITEM	PART NO.	QTY.	DESCRIPTION
			* Models with Chrome Faucet
			** Models with Plastic Faucet
		* **	
1	26688.0000	1 -	Faucet Shank Assy W/Sight Gauge (Includes items 2 thru 7 & 8 thru 11)
	26688.0002	- 1	Faucet Shank Assy W/Sight Gauge (Includes items 2 thru 6 & 7 thru 11)
2	01293.0000	1 1	Vent Cap, Sight Guage
3	01291.0000	1 1	Washer, Vent Cap
4	26687.0000	1 1	Sheild, Sight Gauge
5	26686.0000	1 1	Sight Gauge Glass
6	01292.0000	1 1	Washer, Sight Gauge Base(Use .312" ID in place of .062" ID)
7	01222.0000	1 1	Base, Sight Gauge
8	-----	1 -	Shank, Faucet (Not available. See item 22)
	-----	- 1	Shank, Faucet (Not available. See item 22)
9	20761.0000	1 1	Nut, Faucet Shank
10	01221.0000	1 1	C-Ring, Faucet Shank
11	03093.0001	1 -	Faucet Nut, Wing Type
	03093.0002	- 1	Faucet Nut, Wing Type
12	20756.0000	1 1	Gasket, Faucet Shank
13	03287.0003	1 -	Faucet Assy (Includes items 14 thru 20)
	26685.0000	- 1	Faucet Assy (Includes items 14 & 16 thru 20)
	26685.0001	- 1	Faucet Assy (Includes items 14 & 16 thru 20) (Decaff)
14	07096.0002	1 -	Faucet Handle, Black (Bunn-O-Matic)
	07101.0000	1 -	Faucet Handle, Orange (Decaff)
	26684.0000	- 1	Faucet Handle, Black (Bunn-O-Matic)
	26684.0001	- 1	Faucet Handle, Black (Decaff)
15	01219.0000	1 -	Faucet Handle Pin
16	07127.0000	1 -	Faucet Bonnet
	29165.0001	- 1	Faucet Bonnet
17	00601.0000	1 1	Faucet Spring
18	01284.0000	1 -	Faucet Stem W/Pin (Includes item 15)
	29164.0000	- 1	Faucet Stem
19	00600.0000	1 1	Faucet Seat Cup
20	-----	1 1	Faucet Body (Not available. Order item 13)
21	26698.0000	1 1	Tube, Liner
22	01261.0001	1 -	Shank Assy, Faucet (Includes items 8 thru 11)
	01261.0002	- 1	Shank Assy, Faucet (Includes items 8 thru 11)
23	28707.0002	1 -	Faucet Repair Kit, BLK (Includes items 14,17,18 & 19)
	28707.0001	1 -	Faucet Repair Kit, ORN (Includes items 14,17,18 & 19)
	28709.0000	- 1	Faucet Repair Kit, BLK (Includes items 14, 17,18 & 19)
	28709.0001	- 1	Faucet Repair Kit, ORN (Includes items 14, 17,18 & 19)
23	00674.0000	- -	Brush, Faucet Shank Cleaning .75" O.D.
24	00675.0000	- -	Brush, Sight Gauge Cleaning .50" O.D.
25	26367.0000	- -	Brush, Vent Cleaning .25" O.D.

Not illustrated

NUMERICAL INDEX

PART NO.	PAGE NO.	PART NO.	PAGE NO.	PART NO.	PAGE NO.	PART NO.	PAGE NO.
00598.0002	7	26684.0000	9				
00600.0000	9	26684.0001	9				
00601.0000	9	26685.0000	9				
00674.0000	9	26685.0001	9				
00675.0000	9	26686.0000	9				
00879.0000	5	26687.0000	9				
01219.0000	9	26688.0000	9				
01221.0000	9	26688.0002	9				
01222.0000	9	26698.0000	9				
01261.0001	9	26803.0000	5				
01261.0002	9	28707.0001	9				
01284.0000	9	28707.0002	9				
01291.0000	9	28709.0000	9				
01292.0000	9	28709.0001	9				
01293.0000	9	29164.0000	9				
01327.0001	5	29165.0001	9				
02328.0000	5						
02329.0002	5						
03093.0001	9						
03093.0002	9						
03287.0003	9						
07096.0002	9						
07101.0000	9						
07127.0000	9						
12289.0001	7						
12327.0000	7						
20756.0000	9						
20761.0000	9						
20968.0000	5						
21434.0000	5						
21939.0000	5						
24261.0000	5						
25871.1000	7						
25871.1001	7						
25872.0000	5						
25875.0000	7						
25880.0000	5						
25952.0000	7						
25953.0000	7						
26178.0000	5						
26180.0000	5						
26180.0001	5						
26181.0000	5						
26182.0000	5						
26186.0000	5						
26187.0000	5						
26197.0000	7						
26360.0000	7						
26361.0000	7						
26367.0000	9						
26379.0000	7						
26380.0000	7						
26384.0000	7						
26432.0000	5						