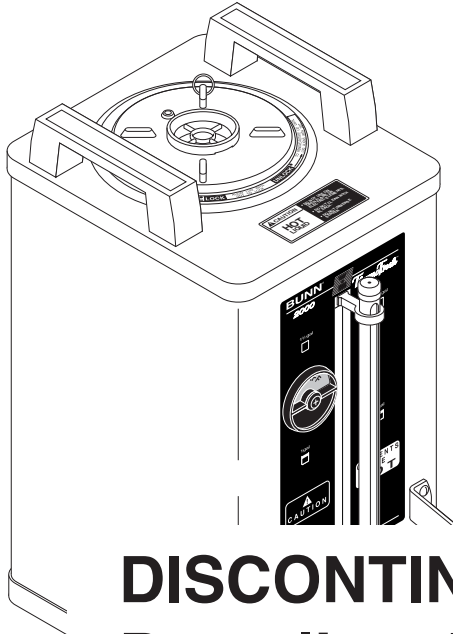


BUNN®

ThermoFresh™ Server

.50 & 1.75 Gallon



DISCONTINUED VERSION
Parts listed in this catalog
may no longer be available.

ILLUSTRATED PARTS CATALOG

Designs, materials, weights, specifications, and dimensions for equipment or replacement parts are subject to change without notice.

BUNN-O-MATIC CORPORATION

POST OFFICE BOX 3227

SPRINGFIELD, ILLINOIS 62708-3227

PHONE: (217) 529-6601 FAX: (217) 529-6644

WARRANTY

Bunn-O-Matic Corp. ("Bunn") warrants the equipment manufactured by it to be commercially free from defects in material and workmanship existing at the time of manufacture and appearing within one year from the date of installation. In addition:

1.) Bunn warrants electronic circuit and/or control boards to be commercially free from defects in material and workmanship for three years from the date of installation.

2.) Bunn warrants the compressor on refrigeration equipment to be commercially free from defects in material and workmanship for two years from the date of installation.

3.) Bunn warrants that the grinding burrs on coffee grinding equipment will grind coffee to meet original factory screen sieve analysis for three years from date of installation or for 30,000 pounds of coffee, whichever comes first.

This warranty does not apply to any equipment, component or part that was not manufactured by Bunn or that, in Bunn's judgement, has been affected by misuse, neglect, alteration, improper installation or operation, improper maintenance or repair, damage or casualty.

THE FOREGOING WARRANTY IS EXCLUSIVE AND IS IN LIEU OF ANY OTHER WARRANTY, WRITTEN OR ORAL, EXPRESS OR IMPLIED, INCLUDING, BUT NOT LIMITED TO, ANY IMPLIED WARRANTY OF EITHER MERCHANTABILITY OR FITNESS FOR A PARTICULAR PURPOSE. The agents, dealers or employees of Bunn are not authorized to make modifications to this warranty or to make additional warranties that are binding on Bunn. Accordingly, statements by such individuals, whether oral or written, do not constitute warranties and should not be relied upon.

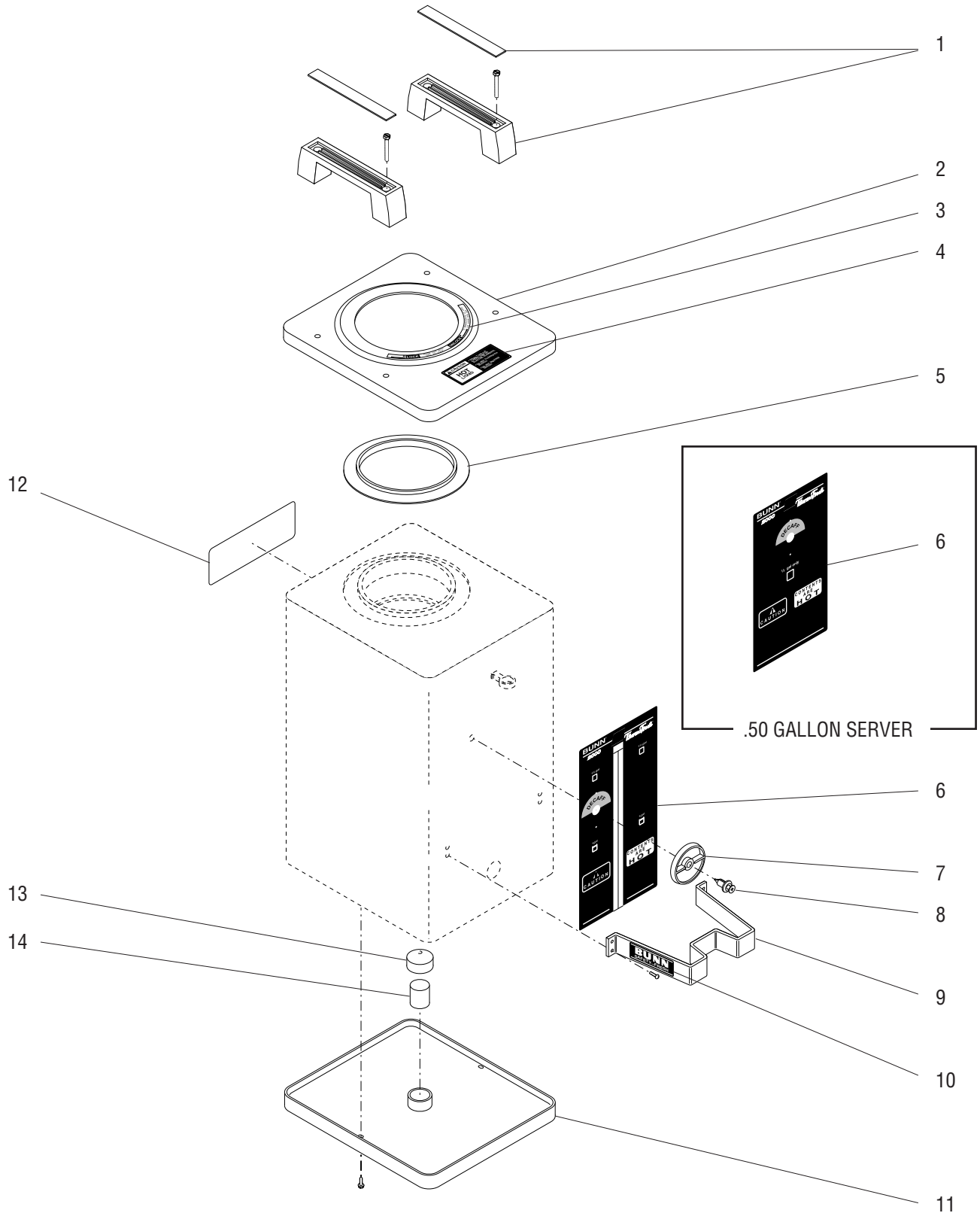
The Buyer shall give Bunn prompt notice of any claim to be made under this warranty by telephone at (217) 529-6601 or by writing to Post Office Box 3227, Springfield, Illinois, 62708-3227. If requested by Bunn, the Buyer shall ship the defective equipment prepaid to an authorized Bunn service location. If Bunn determines, in its sole discretion, that the equipment does not conform to the warranty, Bunn shall repair the equipment with no charge for parts during the warranty period and no charge for labor by a Bunn Authorized Service Representative during the warranty period. If Bunn determines that repair is not feasible, Bunn shall, at its sole option, replace the equipment or refund the purchase price for the equipment.

THE BUYER'S REMEDY AGAINST BUNN FOR THE BREACH OF ANY OBLIGATION ARISING OUT OF THE SALE OF THIS EQUIPMENT, WHETHER DERIVED FROM WARRANTY OR OTHERWISE, SHALL BE LIMITED, AS SPECIFIED HEREIN, TO REPAIR OR, AT BUNN'S SOLE OPTION, REPLACEMENT OR REFUND.

In no event shall Bunn be liable for any other damage or loss, including, but not limited to, lost profits, lost sales, loss of use of equipment, claims of Buyer's customers, cost of capital, cost of down time, cost of substitute equipment, facilities or services, or any other special, incidental or consequential damages.

TABLE OF CONTENTS

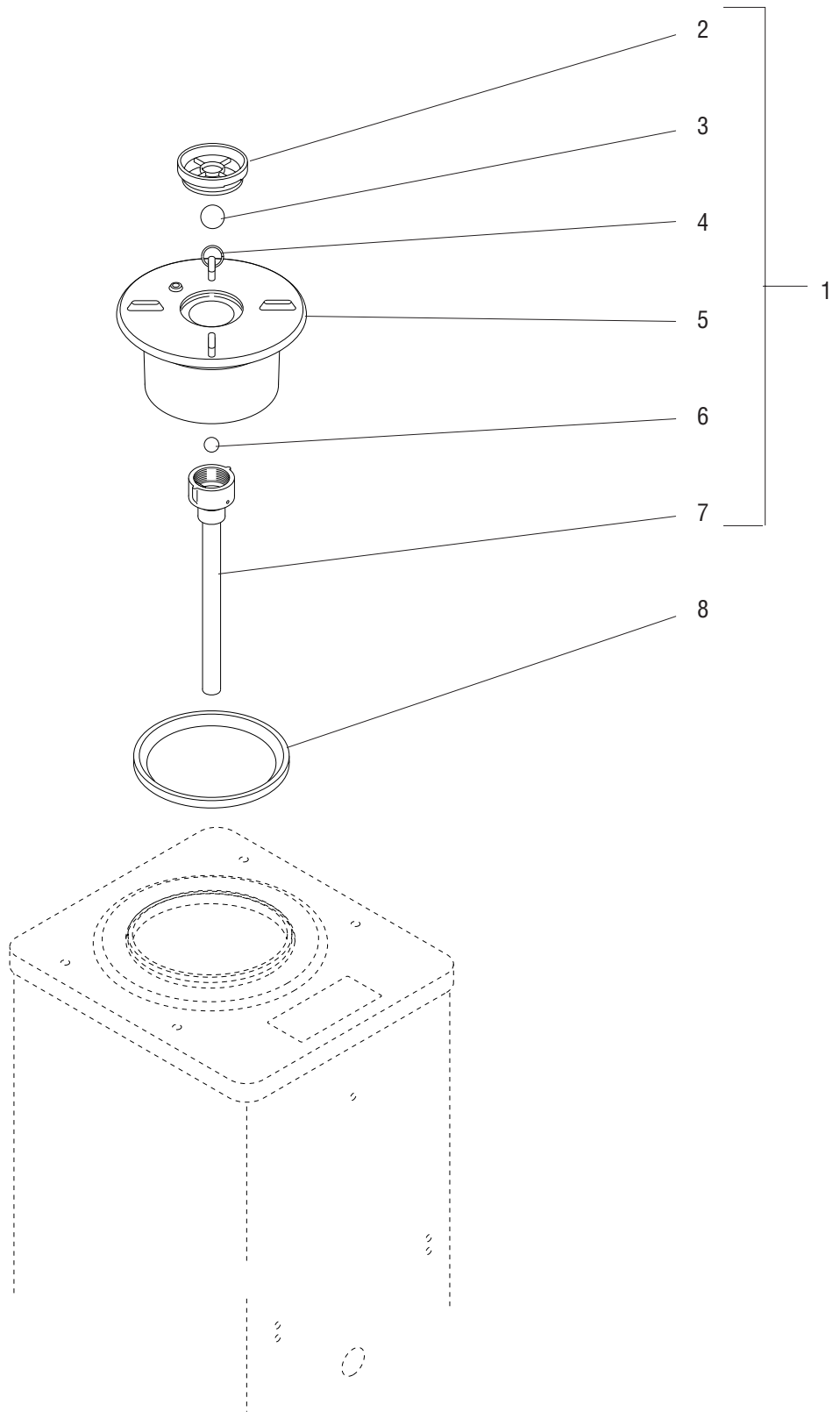
Covers, Handles and Guard	2
Faucet and Sight Gauge	6
Lid Assembly	4
Numerical Index	8



COVERS, HANDLES AND GUARD

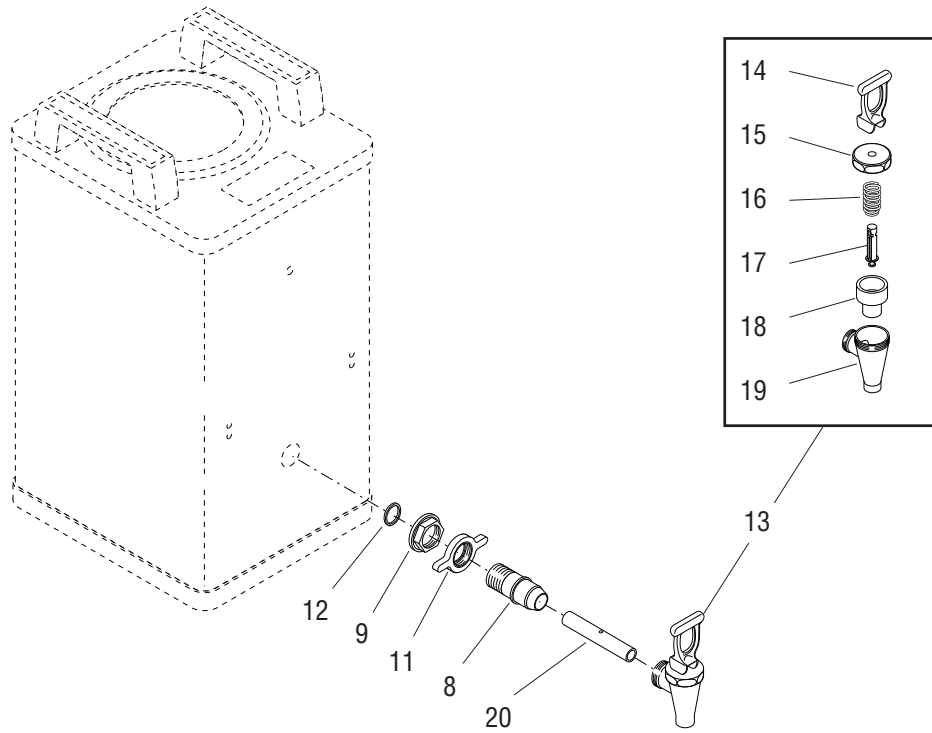
ITEM	PART NO.	QTY.	DESCRIPTION
1	26181.0000	2	Handle, Top
	01327.0001	4	Screw, Pan Head 10 - 32 x 1.0"
2	26187.0000	1	Cover W/Decal, Top (Includes items 3 & 4)
3	26803.0000	1	Decal, Lock - Unlock
4	26186.0000	1	Decal, Caution - Hot Liquid
5	25872.0000	1	Gasket, Top Cover
6	26178.0002	1	Decal, Bunn W/Red Stripe (.50 Gallon Server)
	26178.0001	1	Decal, Bunn W/Red Stripe (1.75 Gallon Server)
7	27203.0000	1	Indicator Disk
8	27204.0000	1	Fastener, Indicator Disk
9	26915.0000	1	Faucet Guard W/Decals (Includes item 10) (.50 Gallon Server)
	21939.0000	1	Faucet Guard W/Decals (Includes item 10) (1.75 Gallon Server)
	26182.0000	4	Screw, Truss Head 8 - 32 x .38"
10	20968.0000	2	Decal, Safety Fresh
11	25880.0000	1	Trim Ring, Bottom
	02328.0000	2	Screw, Pan Head 6 - 32 x .375" Locking
12	27013.0000	1	Decal, Operating Instructions
13	12919.0004	1	Cap, 1.062" I.D.
14	27128.0000	1	Magnet
15	03290.0000	1	Tie, Cap Retaining (Not Illustrated)

} 1.75 Gallon Server Only



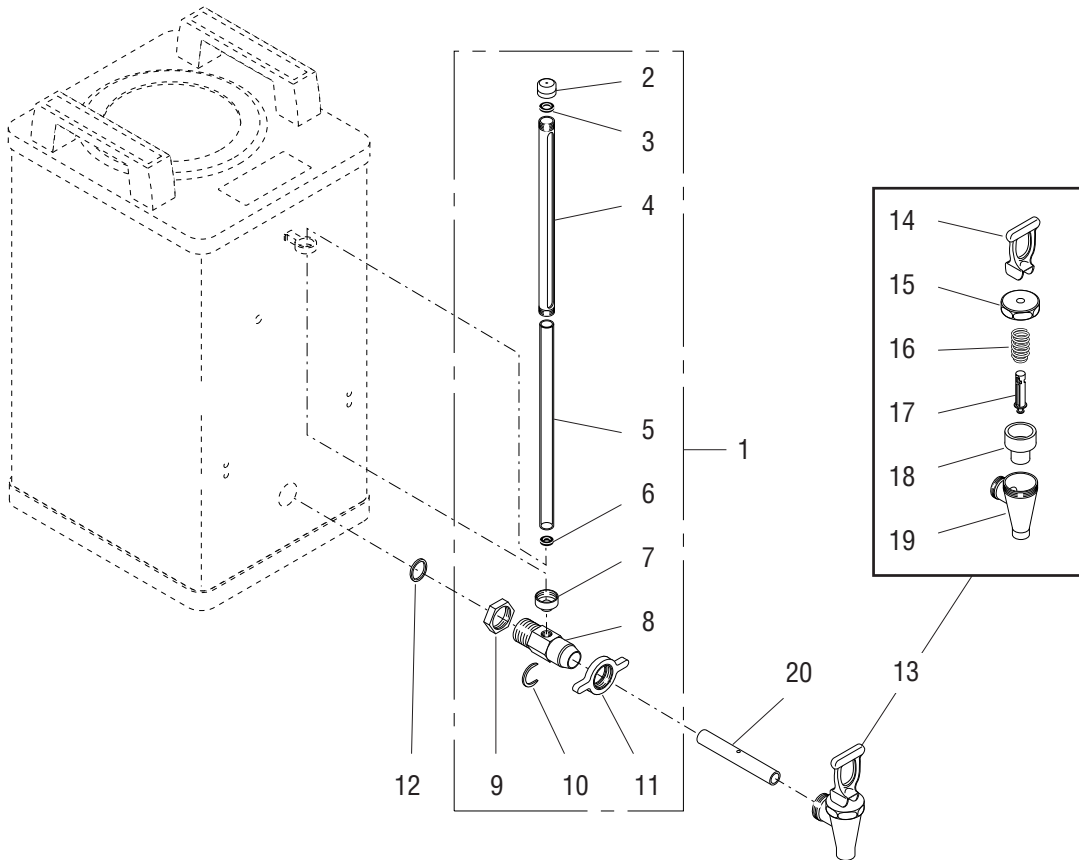
LID ASSEMBLY

ITEM	PART NO.	QTY.	DESCRIPTION
1	25871.1002	1	Lid Assembly (Includes items 2 thru 7) (.50 Gallon Sever)
	25871.1001	1	Lid Assembly (Includes items 2 thru 7) (1.75 Gallon Server)
2	12289.0001	1	Retainer Cap, Top
3	12327.0000	1	Ball
4	26361.0000	1	Split Ring
5	25871.1000	1	Lid Assy, Reservoir
6	00598.0002	1	Ball, .50"
7	25875.0001	1	Tube Assy, Inlet (.50 Gallon Sever)
	25875.0000	1	Tube Assy, Inlet (1.75 Gallon Server)
8	25952.0000	1	Seal, Top Cover



.50 GALLON SERVER

P1055



1.75 GALLON SERVER

P1056

FAUCET AND SIGHT GAUGE

ITEM	PART NO.	QTY.		DESCRIPTION
				* .50 Gallon Server
				** 1.75 Gallon Server
		*	**	
1	26688.0001	-	1	Faucet Shank Assy W/Sight Gauge (Includes items 2 thru 11)
2	01293.0000	-	1	Vent Cap, Sight Gauge
3	01291.0000	-	1	Washer, Vent Cap
4	26687.0001	-	1	Shield, Sight Gauge
5	26686.0001	-	1	Sight Gauge Glass
6	01292.0000	-	1	Washer, Sight Gauge Base (Use .312" ID in place of .062" ID)
7	01222.0000	-	1	Base, Sight Gauge
8	-----	1	1	Shank, Faucet (Not available. See item 21)
9	03092.0001	1	-	Nut, Faucet Shank
	20761.0000	-	1	Nut, Faucet Shank
10	01221.0000	-	1	C-Ring, Faucet Shank
11	03093.0002	1	1	Faucet Nut, Wing Type
12	20756.0000	1	1	Gasket, Faucet Shank
13	26685.0000	1	1	Faucet Assy, Black Handle (Includes items 14 thru 19)
14	26684.0000	1	1	Faucet Handle, Black
15	29165.0001	1	1	Faucet Bonnet
16	00601.0000	1	1	Faucet Spring
17	29164.0000	1	1	Faucet Stem
18	00600.0000	1	1	Faucet Seat Cup
19	-----	1	1	Faucet Body (Not available. Order item 13)
20	26698.0001	1	-	Tube, Liner
	26698.0000	-	1	Tube, Liner
21	26914.0000	1	-	Shank Assy, Faucet (Includes items 8, 9 & 11)
	01261.0002	-	1	Shank Assy, Faucet (Includes items 8 thru 11)
22	00674.0000	-	-	Brush, Faucet Shank Cleaning .75" O.D.
23	00675.0000	-	-	Brush, Sight Gauge Cleaning .50" O.D.
24	26367.0000	-	-	Brush, Vent Cleaning .25" O.D.
25	28709.0000	1	1	Faucet Repair Kit, Blk (Includes items 14, 16, 17 & 18)

Not illustrated

NUMERICAL INDEX

PART NO.	PAGE NO.	PART NO.	PAGE NO.	PART NO.	PAGE NO.	PART NO.	PAGE NO.
00598.0002	5						
00600.0000	7						
00601.0000	7						
00674.0000	7						
00675.0000	7						
01221.0000	7						
01222.0000	7						
01261.0002	7						
01291.0000	7						
01292.0000	7						
01293.0000	7						
01327.0001	3						
02328.0000	3						
03092.0001	7						
03093.0002	7						
03290.0000	3						
12289.0001	5						
12327.0000	5						
12919.0004	3						
20756.0000	7						
20761.0000	7						
20968.0000	3						
21939.0000	3						
25871.1000	5						
25871.1001	5						
25871.1002	5						
25872.0000	3						
25875.0000	5						
25875.0001	5						
25880.0000	3						
25952.0000	5						
26178.0001	3						
26178.0002	3						
26181.0000	3						
26182.0000	3						
26186.0000	3						
26187.0000	3						
26361.0000	5						
26367.0000	7						
26684.0000	7						
26685.0000	7						
26686.0001	7						
26687.0001	7						
26688.0001	7						
26698.0000	7						
26698.0001	7						
26803.0000	3						
26914.0000	7						
26915.0000	3						
27013.0000	3						
27128.0000	3						
27203.0000	3						
27204.0000	3						
28709.0000	7						
29164.0000	7						
29165.0001	7						