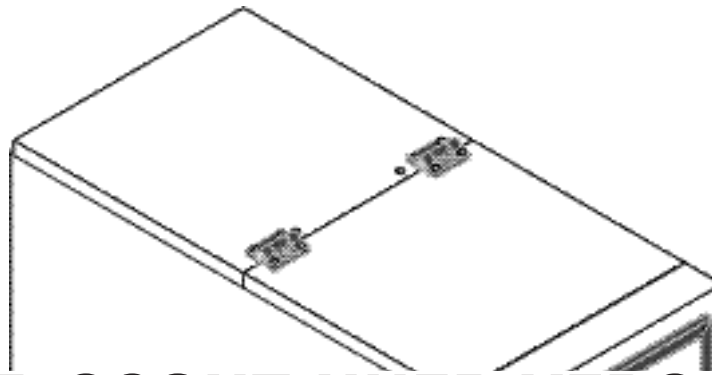


BUNN®

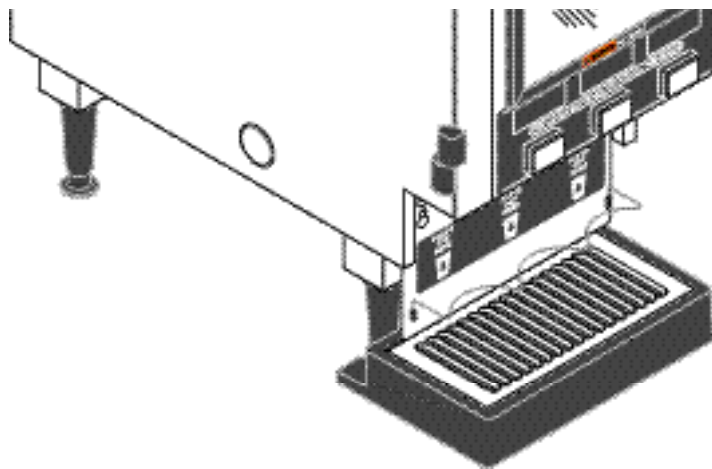
HC-2

HC-3

(SERIAL # HC00025000 - UP)



DISCONTINUED VERSION
Parts listed in this catalog
may no longer be available.



ILLUSTRATED PARTS CATALOG

Designs, materials, weights, specifications, and dimensions for equipment or replacement parts are subject to change without notice.

BUNN-O-MATIC CORPORATION

POST OFFICE BOX 3227

SPRINGFIELD, ILLINOIS 62708-3227

PHONE: (217) 529-6601 FAX: (217) 529-6644

www.bunnomatic.com

BUNN-O-MATIC COMMERCIAL PRODUCT WARRANTY

Bunn-O-Matic Corp. ("BUNN") warrants equipment manufactured by it as follows:

- 1) All equipment other than as specified below: 2 years parts and 1 year labor.
- 2) Electronic circuit and/or control boards: parts and labor for 3 years.
- 3) Compressors on refrigeration equipment: 5 years parts and 1 year labor.
- 4) Grinding burrs on coffee grinding equipment to grind coffee to meet original factory screen sieve analysis: parts and labor for 3 years or 30,000 pounds of coffee, whichever comes first.

These warranty periods run from the date of installation BUNN warrants that the equipment manufactured by it will be commercially free of defects in material and workmanship existing at the time of manufacture and appearing within the applicable warranty period. This warranty does not apply to any equipment, component or part that was not manufactured by BUNN or that, in BUNN's judgment, has been affected by misuse, neglect, alteration, improper installation or operation, improper maintenance or repair, damage or casualty. This warranty is conditioned on the Buyer 1) giving BUNN prompt notice of any claim to be made under this warranty by telephone at (217) 529-6601 or by writing to Post Office Box 3227, Springfield, Illinois 62708-3227; 2) if requested by BUNN, shipping the defective equipment prepaid to an authorized BUNN service location; and 3) receiving prior authorization from BUNN that the defective equipment is under warranty.

THE FOREGOING WARRANTY IS EXCLUSIVE AND IS IN LIEU OF ANY OTHER WARRANTY, WRITTEN OR ORAL, EXPRESS OR IMPLIED, INCLUDING, BUT NOT LIMITED TO, ANY IMPLIED WARRANTY OF EITHER MERCHANTABILITY OR FITNESS FOR A PARTICULAR PURPOSE. The agents, dealers or employees of BUNN are not authorized to make modifications to this warranty or to make additional warranties that are binding on BUNN. Accordingly, statements by such individuals, whether oral or written, do not constitute warranties and should not be relied upon.

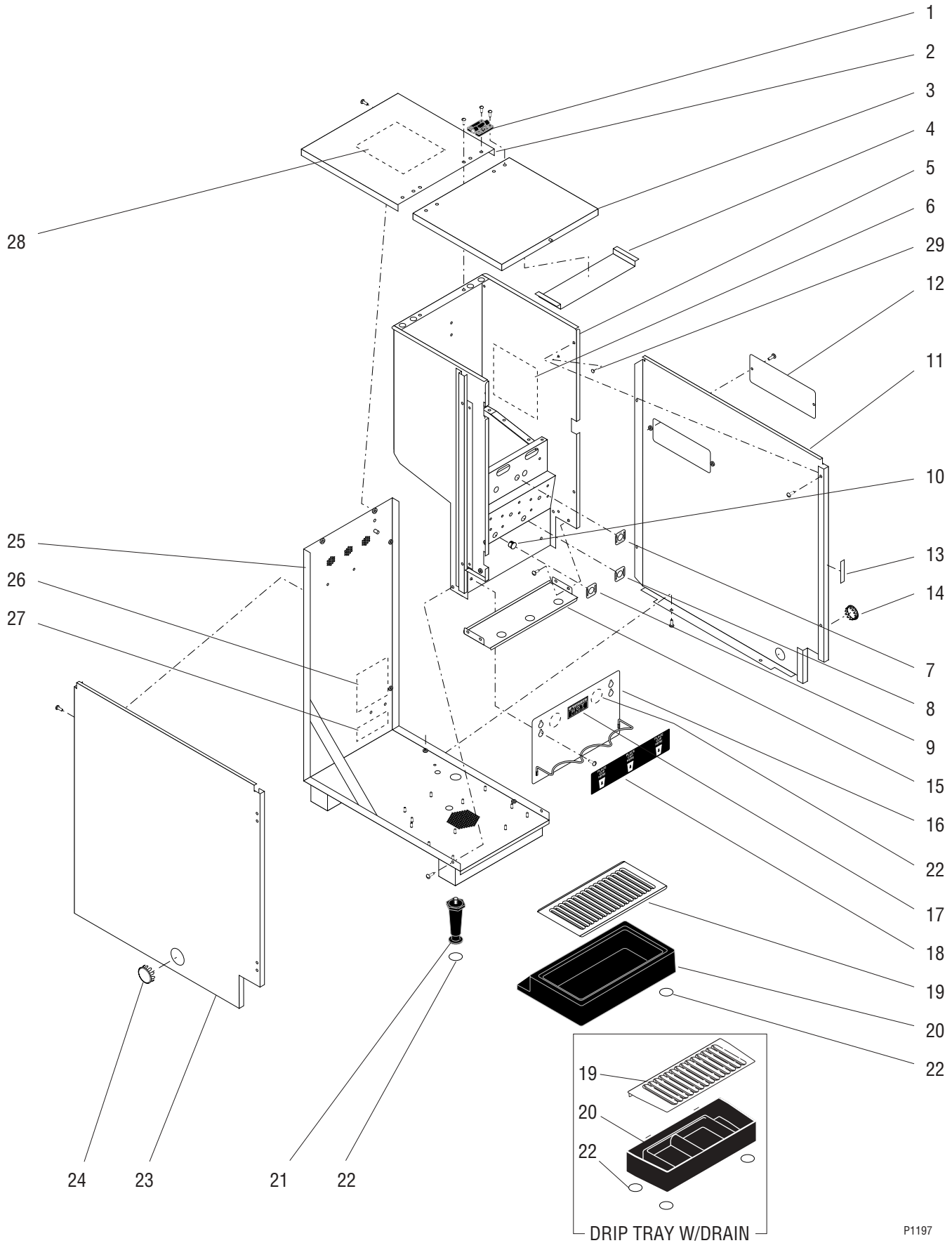
If BUNN determines in its sole discretion that the equipment does not conform to the warranty, BUNN, at its exclusive option while the equipment is under warranty, shall either 1) provide at no charge replacement parts and/or labor (during the applicable parts and labor warranty periods specified above) to repair the defective components, provided that this repair is done by a BUNN Authorized Service Representative; or 2) shall replace the equipment or refund the purchase price for the equipment.

THE BUYER'S REMEDY AGAINST BUNN FOR THE BREACH OF ANY OBLIGATION ARISING OUT OF THE SALE OF THIS EQUIPMENT, WHETHER DERIVED FROM WARRANTY OR OTHERWISE, SHALL BE LIMITED, AT BUNN'S SOLE OPTION AS SPECIFIED HEREIN, TO REPAIR, REPLACEMENT OR REFUND.

In no event shall BUNN be liable for any other damage or loss, including, but not limited to, lost profits, lost sales, loss of use of equipment, claims of Buyer's customers, cost of capital, cost of down time, cost of substitute equipment, facilities or services, or any other special, incidental or consequential damages.

TABLE OF CONTENTS

TITLE	PAGE NO.
Auger Drive and Hopper Assembly	10
Covers, Panels and Drip Tray	4
Dispense Valves and Lines	20
Door, Lamp and Panels	8
Electrical Controls	22
Mixing/Whipper Chambers and Drive Motor	12
Numerical Index	26
Strainer, Solenoid, Fill Valve and Lines	16
Tank, Heater and Overflow Protection	14

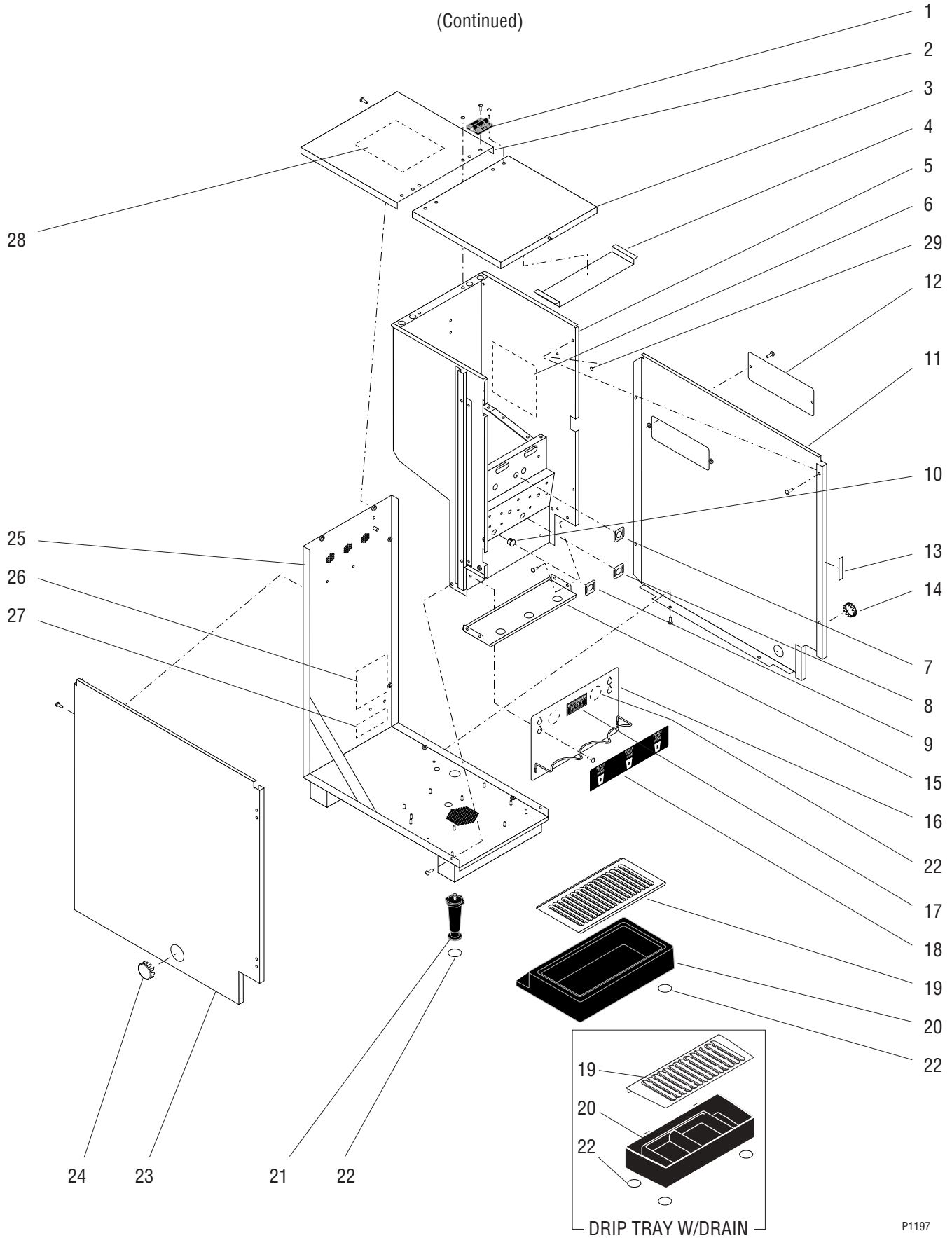


COVERS, PANELS AND DRIP TRAY

ITEM	PART NO.	QTY.	DESCRIPTION
1	26504.0000	2	Hinge
	02308.0000	8	Screw, Pan Head #8 - 32 x .375"
2	25796.0000	1	Cover, Top Rear (SST)]
	25796.0002	1	Cover, Top Rear (Black)] — Also order item 28
	02331.0000	4	Screw, Truss Head #10 - 32 x .375" (SST)
	02331.0001	4	Screw, Truss Head #10 - 32 x .375" (Black)
3	25901.0000	1	Cover, Top Front (SST)]
	25901.0002	1	Cover, Top Front (Black)] — Also order item 4
4	27290.0000	1	Kit, Hopper Stabilizer
5	-----	1	Panel W/Decals, Front (Not available) (Mechanical Thermostat)
	-----	1	Panel W/Decals, Front (Not available) (Electronic Thermostat)
	02331.0000	2	Screw, Truss Head #10 - 32 x .375"
6	27593.0000	1	Schematic, 120 & 120/240V
	27593.0004	1	Schematic, 240V
7	26524.0000	1	Decal, Tank Heater Switch
8	26523.0000	1	Decal, Rinse/Run Switch
9	26522.0000	1	Decal, Hot/Cold Switch (Models with Cold Water Valve Option)
10	00670.0000	1	Plug, Hole .437" Dia. (Not used on models with Cold Water Valve Option)
11	27604.0000	1	Cover, Right Side (SST)]
	27604.0001	1	Cover, Right Side (Black)] — Models with Mechanical Thermostat
	27305.0000	1	Cover, Right Side (SST)]
	27305.0002	1	Cover, Right Side (Black)] — Models with Electronic Thermostat
	01311.0000	6	Screw, Truss Head #8 - 32 x .25"
12	25414.0000	1	Cover, Access (SST)
	25414.0002	1	Cover, Access (Black)
	01311.0000	2	Screw, Truss Head #8 - 32 x .25" (SST)
	01311.0003	2	Screw, Truss Head #8 - 32 x .25" (Black)
13	27298.0000	1	Strike Assy, Steel Self Adhesive
14	00619.0005	1	Plug, Hole 1.06" Dia. (SST)]
	23164.0001	1	Plug, Hole 1.06" Dia. (Black)] — Models W/Electronic Thermostat only
15	26233.0000	1	Panel, Splash
	01311.0000	4	Screw, Truss Head #8 - 32 x .25"
16	26749.0000	1	Plate W/Decals, Cup Stop (Includes item 17 & 2 of item 22 - also order item 18)
	01311.0001	2	Screw, Truss Head #8 - 32 x .25" Locking
17	12368.0002	1	Decal, Caution-Hot Liquid
18	26576.0000	1	Decal, Cup Placement (HC-3 Models) (Shown)
	26576.0002	1	Decal, Cup Placement (HC-2 Models)
19	27017.0000	1	Cover, Drip Tray (Use with SST Drip Tray)
	27017.0001	1	Cover, Drip Tray (Use with Plastic Drip Tray)
	28267.0000	1	Cover, Drip Tray (Use with Drip Tray with Drain Hole)

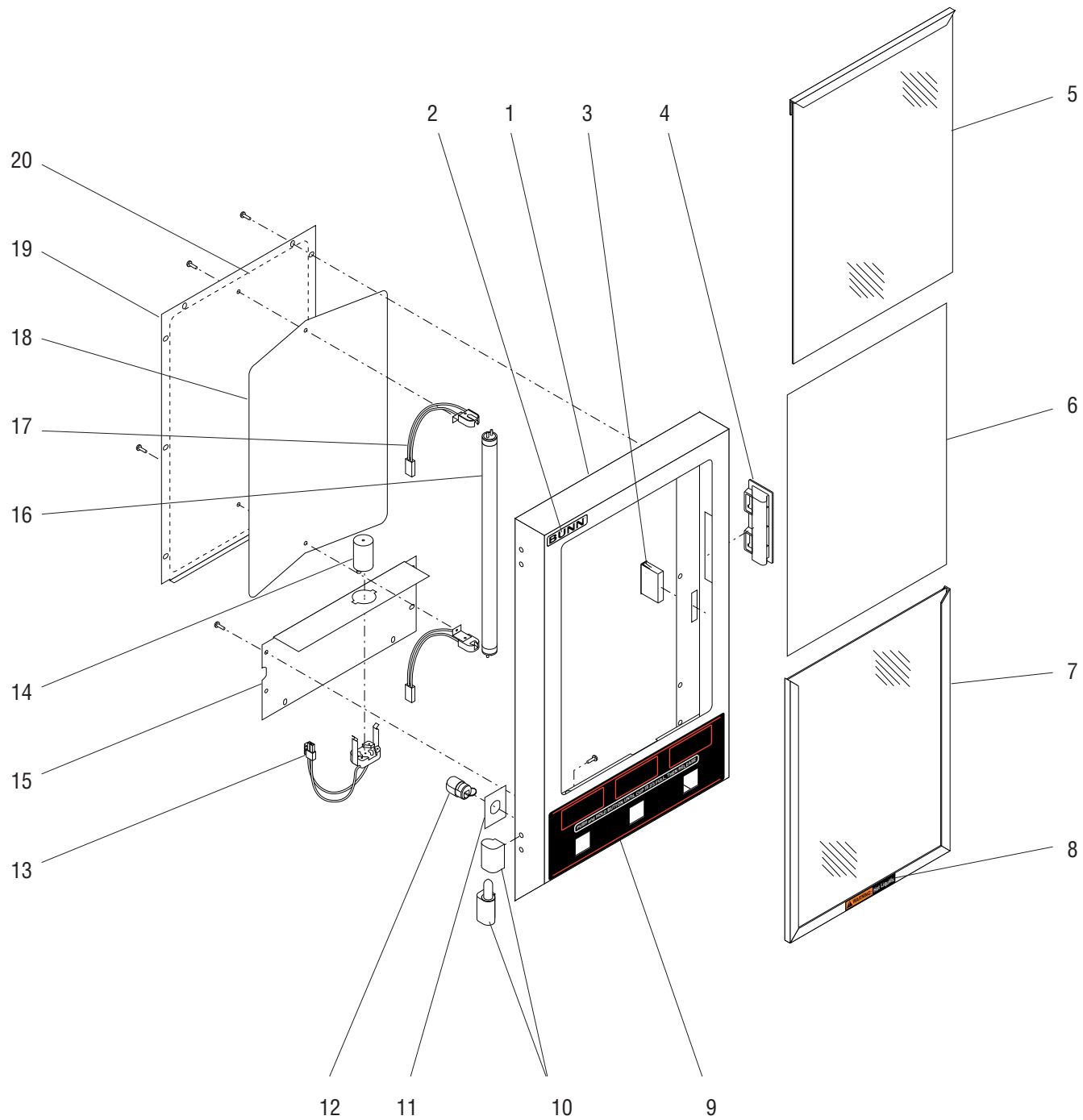
(Continued)

(Continued)



COVERS, PANELS AND DRIP TRAY

ITEM	PART NO.	QTY.	DESCRIPTION
20	27016.1000	1	Drip Tray Assy, SST (Includes 4 of item 22)
	26886.1000	1	Drip Tray Assy, Black (Includes 4 of item 22) (Shown)
	28699.0000	1	Drip Tray Assy, Black (Includes 4 of item 22) (Drip Tray with Drain Hole)
21	26528.0000	4	Leg, 4.0" Adjustable (Also see item 30)
22	03996.0000	10	Pad, Rubber 1.25" Dia.
23	27476.0000	1	Cover, Left Side (SST)
	27476.0002	1	Cover, Left Side (Black)
	01311.0000	6	Screw, Truss Head #8 - 32 x .25"
24	00619.0011	1	Plug, Hole 1.50" Dia. (SST)
	23164.0002	1	Plug, Hole 1.50" Dia. (Black)
25	27673.0000	1	Cover W/Decals, Rear & Bottom 120V (Includes items 26 & 27)
	27673.0001	1	Cover W/Decals, Rear & Bottom 240V (Includes items 26 & 27)
26	00831.0000	1	Decal, Warning-Electrical
27	00656.0000	1	Decal, Comply to Plumbing Code
28	27620.0000	1	Decal, Thermostat Adjustment
29	20621.0000	4	Plug, Hole .203" Dia.
30	13255.0003	1	Kit, Leg 4.0" Adjustable (Includes 4 each of items 21 & 22) (Not illustrated)
31	27734.0000	1	Cover, Steam Collector Hole (Not illustrated)
32	28701.0000	-	Drip Tray Kit w/Drain Hole (Includes items 19,20 & 22)

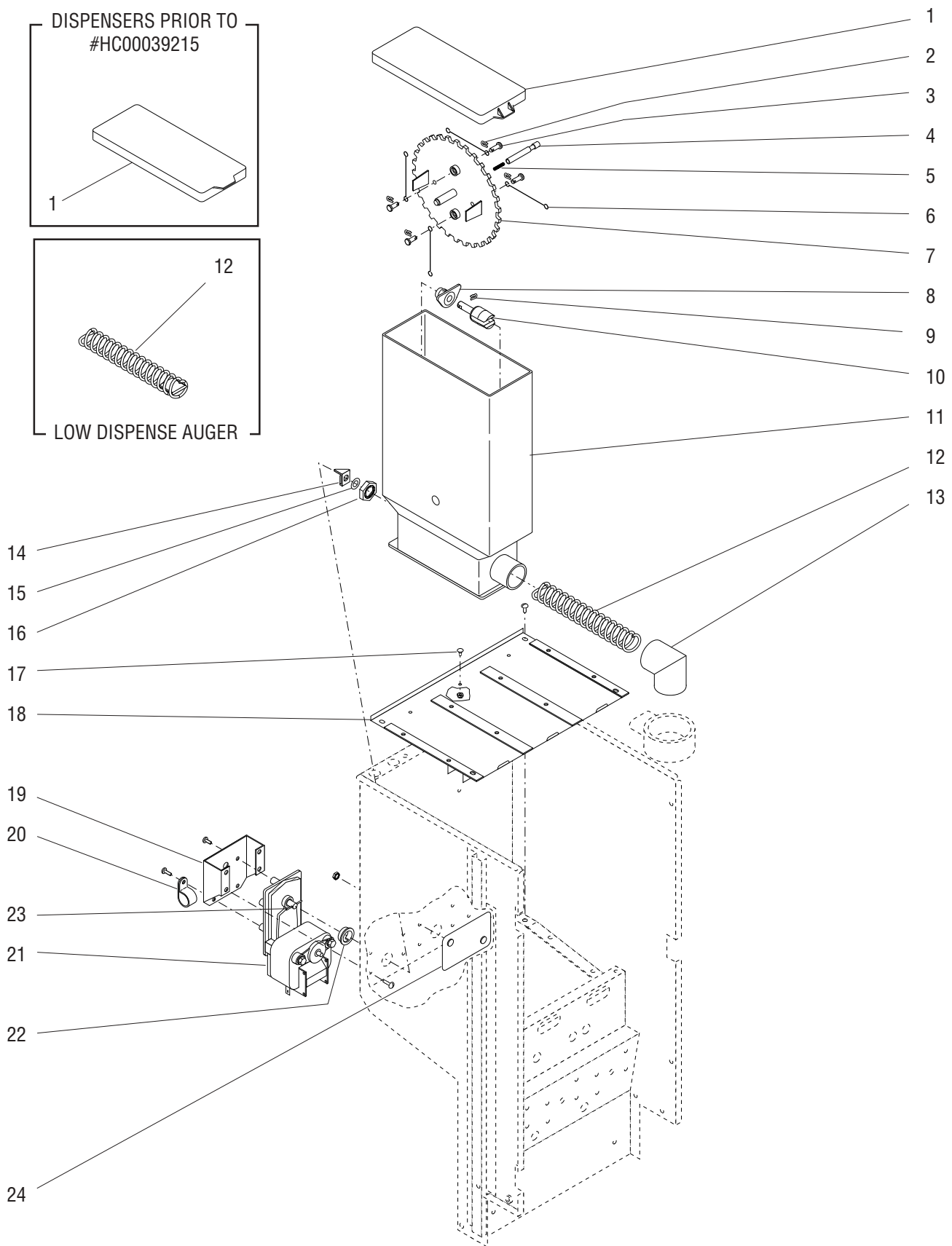
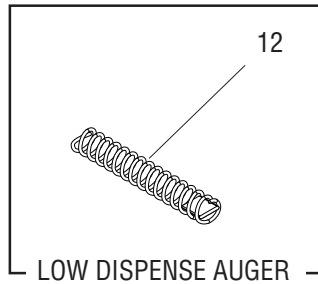
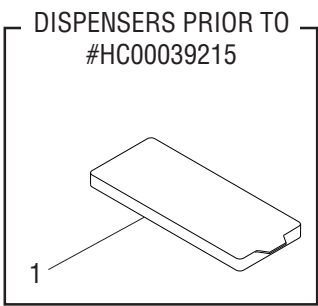


DOOR, LAMP AND PANELS

ITEM	PART NO.	QTY.	DESCRIPTION
1	27674.0000	1	Door W/Decals (SST) (Includes Item 2 & 7 - also order item 9)
	27674.0001	1	Door W/Decals (Black) (Includes Item 2 - & 7 also order item 9)
2	00851.0000	1	Decal, BUNN
3	25899.0000	1	Magnetic Catch
4	27295.0000	1	Handle, Door
5	27126.1000	1	Window W/Top Frame Assembly
6	26520.0000	1	Display, Graphics (Cafe Scene)
	26520.0001	1	Display, Graphics (Fireside Scene)
7	27602.1000	1	Window W/Side and Bottom Frame (Includes item 8)
8	11646.0000	1	Decal, Warning - Hot Liquids
9	26525.0000	1	Decal, Door Front (HC-3 Models) (Shown)
	26525.0002	1	Decal, Door Front (HC-2 Models)
10	27296.0000	2	Hinge, Door
	02330.0001	8	Screw, Hex Head-Washer #10-24 x .375"
11	26892.0000	1	Plate, Strain Relief
12	26444.0000	2	Bushing, Strain Relief
13	27586.0000	1	Socket W/Terminals, Starter
14	27619.0000	1	Starter, Lamp
15	27520.1001	1	Cover, Door - Bottom
	01311.0000	6	Screw, Truss Head #8 - 32 x .25"
16	26239.0000	1	Lamp, Fluorescent - 8 Watts
17	27587.0000	2	Lamp Holder, Fluorescent
	02328.0002	2	Screw, Pan Head #6 - 32 x .188"
18	27597.0000	1	Reflector, Door Lamp
19	27675.0000	1	Cover W/Decal, Door - Upper (Includes item 20)
	01311.0000	8	Screw, Truss Head #8 - 32 x .25"
20	27585.0000	1	Decal, Cleaning
21	26507.0001	1	Wiring Harness, Door Interconnect 120V
	26507.0002	1	Wiring Harness, Door Interconnect 240V
	00970.0000	1	Nut, Keps #8-32 (Ground)
22	27584.0000	1	Wiring Harness, Door 120V
	27584.0001	1	Wiring Harness, Door 240V
23	26537.0000	1	Decal, Flavors (Almond Amaretto, Cappuccino, French Vanilla, Hazelnut, Hot Chocolate and Raspberry Mocha)
	26537.0001	1	Decal, Flavors (Swiss Mocha, Mocha, Raspberry Vanilla, Irish Creme, Coffee and Original)
	26537.0003	1	Decal, Flavors (White Chocolate, Cinnamon Vanilla Nut, Decaf, Regular, French Vanilla and Hot Chocolate)

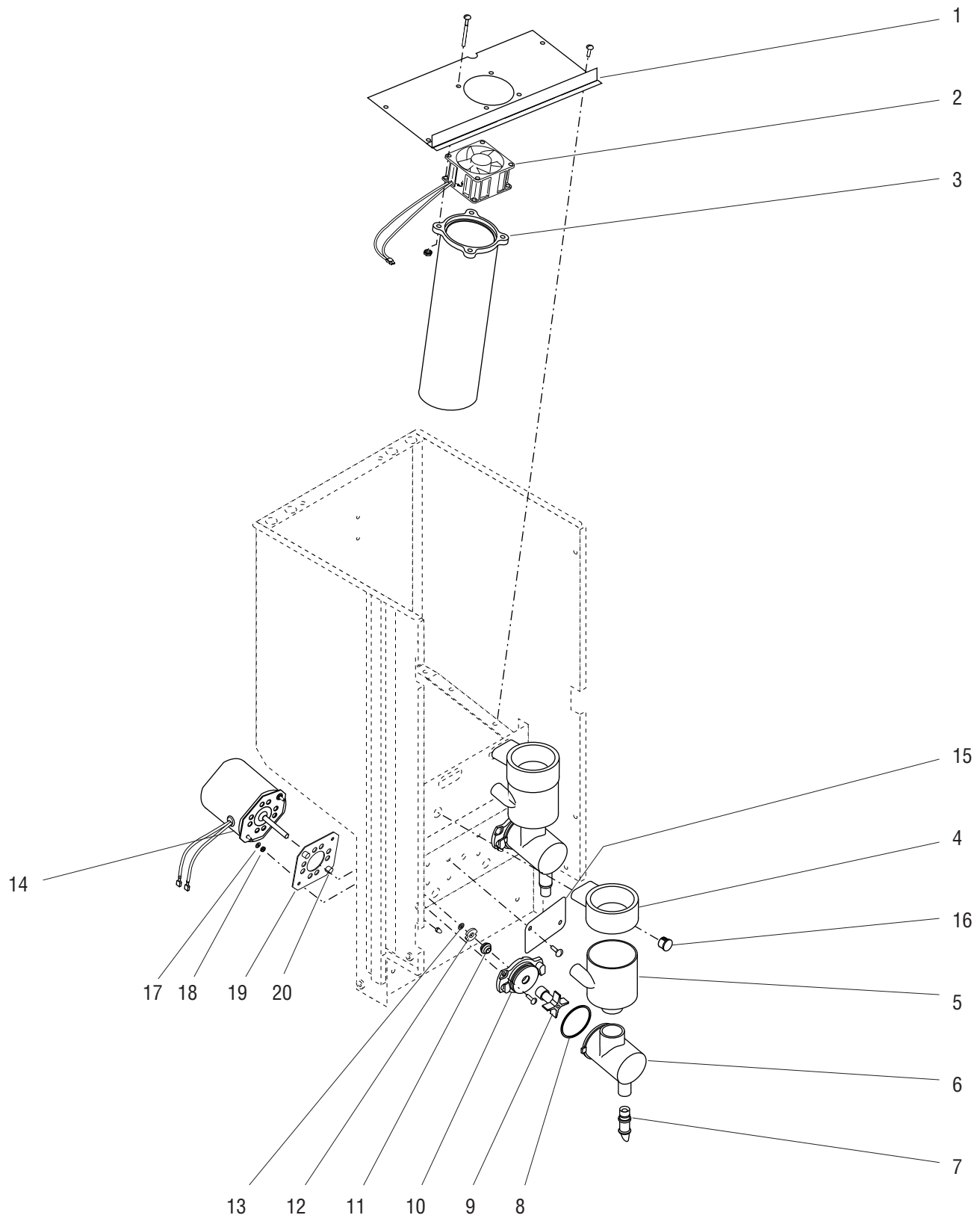
Includes items 11
& 1 of item 12

Not
illustrated



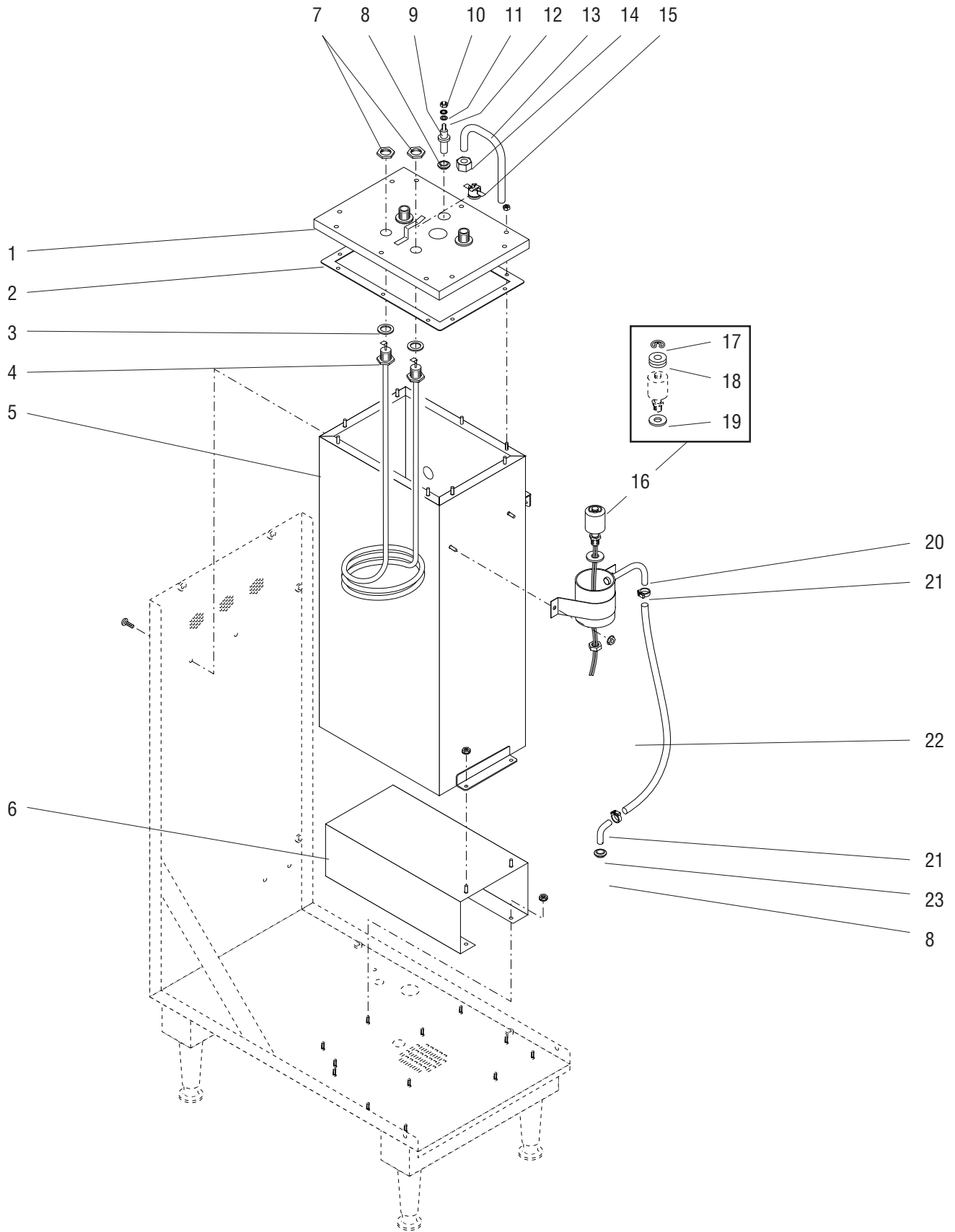
AUGER DRIVE AND HOPPER ASSEMBLY

ITEM	PART NO.	QTY.	DESCRIPTION
			* HC-2 Models
			** HC-3 Models
		* **	
-	26126.1001	2 3	Hopper Assy (22 Tooth Agitator Disk)
-	26126.1000	2 3	Hopper Assy (30 Tooth Agitator Disk)
-	26126.1002	2 3	Hopper Assy (22 Tooth Agitator Disk) (Low Dispense)
			} (Includes items 1 thru 16)
1	-----	1 1	Lid, Hopper (Dispensers prior to #HC00039215. Order item 25)
	28061.0000	1 1	Lid, Hopper (Dispenser #HC00039215 and up)
2	21358.0000	4 4	Clip, Retainer
3	21357.0000	4 4	Shaft, Wiper
4	26436.0000	1 1	Rod, Agitator Support
5	26449.0000	1 1	Spring
6	26441.0000	4 4	Wire, Agitator
7	26435.0000	1 1	Disk, Agitator (22 Teeth)
	26435.0001	1 1	Disk, Agitator (30 Teeth)
8	25742.0000	1 1	Bushing, Auger Drive Shaft
9	21358.0000	1 1	Clip, Retainer
10	26940.0000	1 1	Shaft, Auger Drive
11	-----	1 1	Hopper (Dispensers prior to #HC00039215. Order item 25)
	28065.0000	1 1	Hopper (Dispenser #HC00039215 and up)
12	26112.0001	1 1	Auger, Wire (Use with 22 Tooth Disk)
	21355.0001	1 1	Auger, Wire (Use with 30 Tooth Disk)
	26864.0000	1 1	Auger, Wire (Use with 22 Tooth Disk) (Low Dispense)
13	25903.0000	1 1	Elbow, Ejector
14	25744.0000	1 1	Bracket, Auger Drive
15	21365.0000	1 1	Washer, .31" I.D. x .56" O.D.
16	25743.0000	1 1	Locknut
17	20960.0000	2 3	Screw, Shoulder #6 - 32 x .375"
	00991.0002	2 3	Nut, Elastic Lock #6 - 32
18	-----	1 1	Panel, Hopper Support (Prior to January 1997. Order 27068.0001)
	27068.0001	1 1	Panel, Hopper Support (Effective January 1997)
	01311.0000	4 4	Screw, Truss Head #8 - 32 x .25"
19	25794.0000	2 3	Bracket, Motor Mounting
	01311.0001	8 12	Screw, Truss Head #8 - 32 x .25" Locking
20	00620.0000	1 1	Clamp, Cable
21	26754.0000	2 3	Gearmotor W/Pin, Auger 120V (Includes item 23)
	26754.0001	2 3	Gearmotor W/Pin, Auger 230V (Includes item 23)
	01311.0000	7 11	Screw, Truss Head #8 - 32 x .25"
	01315.0000	1 1	Screw, Truss Head #8 - 32 x .375"
22	26401.0000	2 3	Dust Seal, Hopper Motor
23	26247.0000	2 3	Pin, Spring .094" Dia. x 1.0"
24	26496.0000	1 -	Plate, Hopper Motor
	00970.0000	2 -	Nut, Keps #8 - 32
25	28110.0000	- -	Kit, Hopper (Includes items 1, 8 & 11)



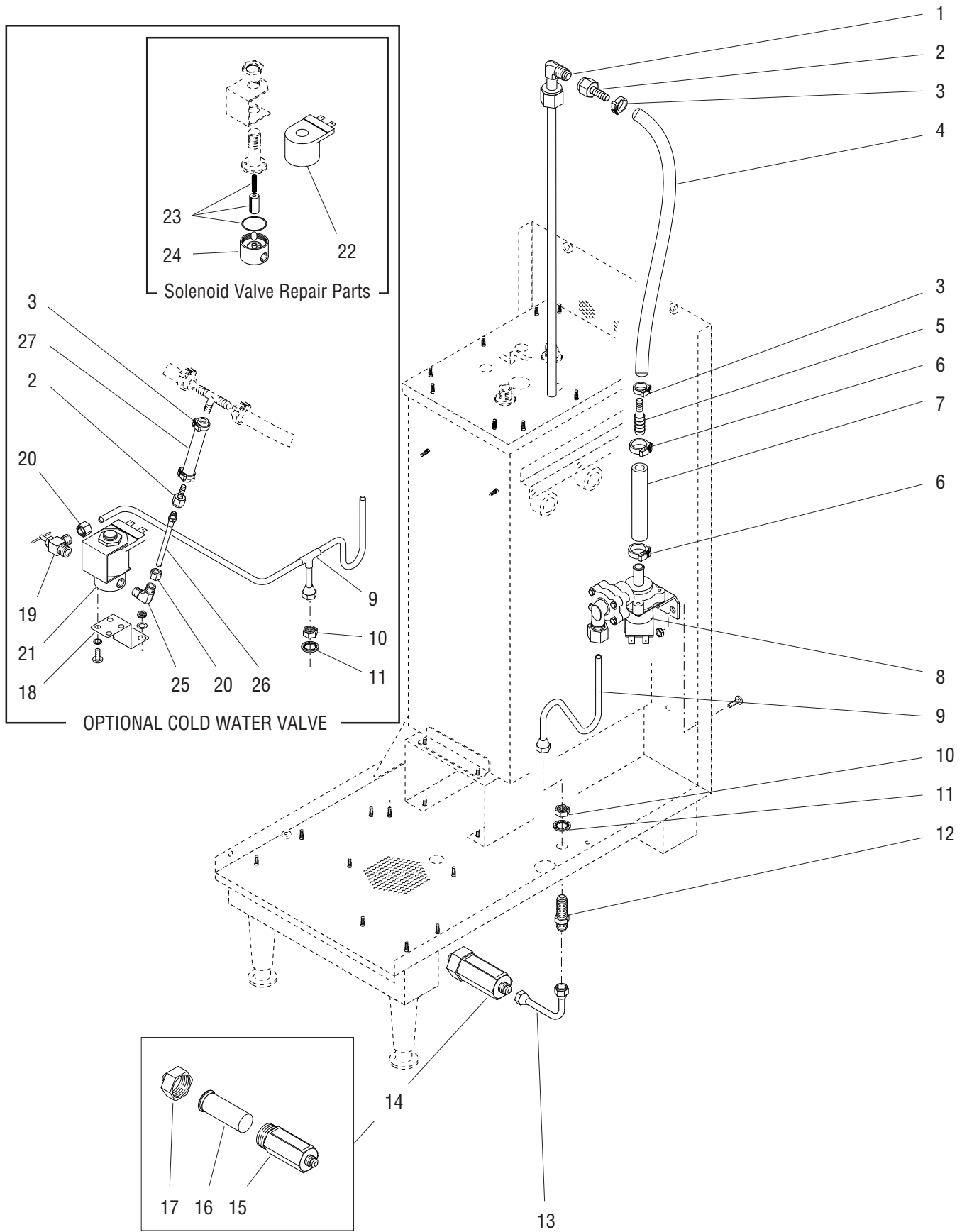
MIXING/WHIPPER CHAMBERS AND DRIVE MOTOR

ITEM	PART NO.	QTY.		DESCRIPTION
				* HC-2 Models
				** HC-3 Models
		*	**	
1	26926.0000	1	1	Plate, Fan Mounting
	01311.0001	4	4	Screw, Locking Truss Head #8 - 32 x .25"
2	27539.0000	1	1	Fan Assembly (120 VAC)
3	26244.1001	1	1	Tube, Exhaust
	01384.0000	4	4	Screw, Truss Head #8 - 32 x 1.50"
	00970.0000	4	4	Nut, Keps #8 - 32
4	25732.0000	2	3	Steam Collector
5	25733.0000	2	3	Mixing Chamber
6	25734.0000	2	3	Whipper Chamber
7	25736.0000	2	3	Dispense Tip
8	24733.0010	2	3	O-Ring
9	25902.0000	2	3	Frother
10	26359.0000	2	3	Receptacle, Whipper Chamber
	02328.0003	4	6	Screw, Pan Head #6 - 32 x .312"
11	26356.0000	2	3	Seal, Shaft
12	26355.0000	2	3	Washer, Teflon
13	24331.0000	2	3	O-Ring
14	26393.1000	2	3	Motor, Whipper 120V (Includes items 17,18 & 19)
	26393.1001	2	3	Motor, Whipper 230V (Includes items 17,18 & 19)
	02324.0000	4	6	Nut, Acorn - High Crown #8 - 32
15	26493.0000	1	-	Plate, Receptacle
	01308.0000	2	-	Screw, Truss Head #6 - 32 x .25"
16	00669.0002	1	-	Plug, Hole .50"
17	01522.0000	4	4	Washer, Shimming (Use as required)
18	00908.0000	2	2	Nut, Hex #8-32
19	34179.0000	2	3	Plate (Includes item 20)
20	32306.0000	4	6	Spacer



TANK, HEATER AND OVERFLOW PROTECTION

ITEM	PART NO.	QTY.	DESCRIPTION
1	23199.0002	1	Lid, Tank
	00908.0000	10	Nut, Hex #8 - 32
2	22978.0000	1	Gasket, Tank Lid
3	00943.0000	2	Gasket, Tank Heater
4	20201.4151	1	Tank Heater Kit, 1700W 120V
	20201.4150	1	Tank Heater Kit, 1800W 120V
	20201.0750	1	Tank Heater Kit, 3500W 240V
			Includes item 3
5	24547.0001	1	Tank
	00970.0000	2	Nut, Keps #8 - 32
	02322.0002	2	Screw, Truss Head #8 - 32 x .375" BLK
6	26636.0000	1	Bracket, Tank Mounting
	00970.0000	2	Nut, Keps #8 - 32
7	00942.0000	2	Nut, Hex .50" - 20
8	02536.0000	2	Grommet .375" I.D.
9	26665.1000	1	Probe Kit (Includes items 10, 11 & 12)
10	00908.0000	1	Nut, Hex #8 - 32
11	20203.0100	1	Lockwasher, Internal Tooth #8
12	01501.0000	1	Washer, Flat .16" I.D. x .375" O.D.
13	26503.0000	1	Tube Assy, Overflow (Includes item 14)
14	00929.0001	1	Nut/Sleeve, Compression .375" Tube
15	29329.1000	1	Thermostat, Limit
16	03803.0000	1	Switch Assy, Liquid Level (Includes items 17, 18 & 19)
	00946.0000	1	Nut, Hex .125" FPT
17	03807.0000	1	Clip, Spring
18	-----	3	Washer, Adjusting (DO NOT USE IN THIS APPLICATION)
19	03633.0000	2	Gasket, Float Switch (Only 1 used in this application)
20	12552.0000	1	Overflow Cup
	00908.0000	2	Nut, Hex #8 - 32
21	12422.0000	2	Clamp, Hose .47"/.54" I.D.
22	-----	1	Tube, Silicone .312" I.D. x 17.00" (Order item 25)
23	21801.0002	1	Tube .375" O.D. x 1.50"
24	01570.0000	2	Wire Nut 2 - 24 AWG
25	03236.1001	-	Tube, Silicone .312" I.D. x 36.00"
	03236.1002	-	Tube, Silicone .312" I.D. x 120.00"
	03236.1003	-	Tube, Silicone .312" I.D. x 60.00"
			Not illustrated

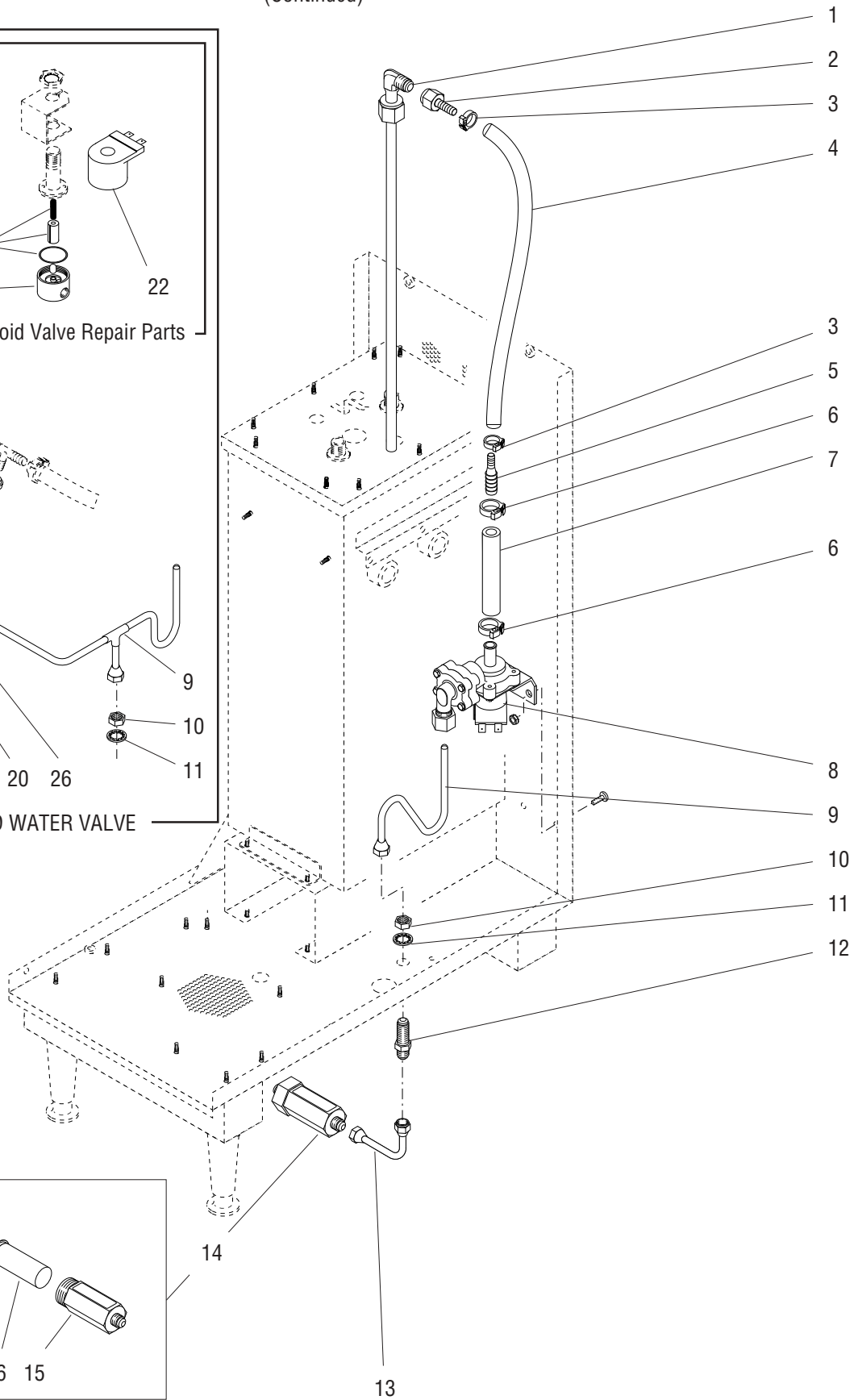
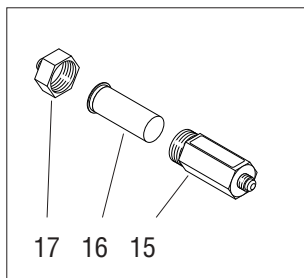
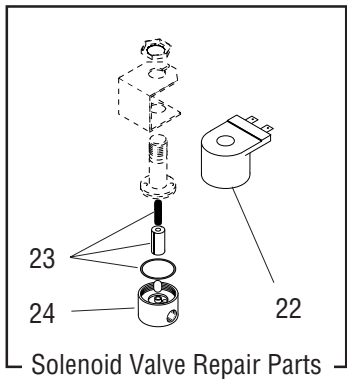
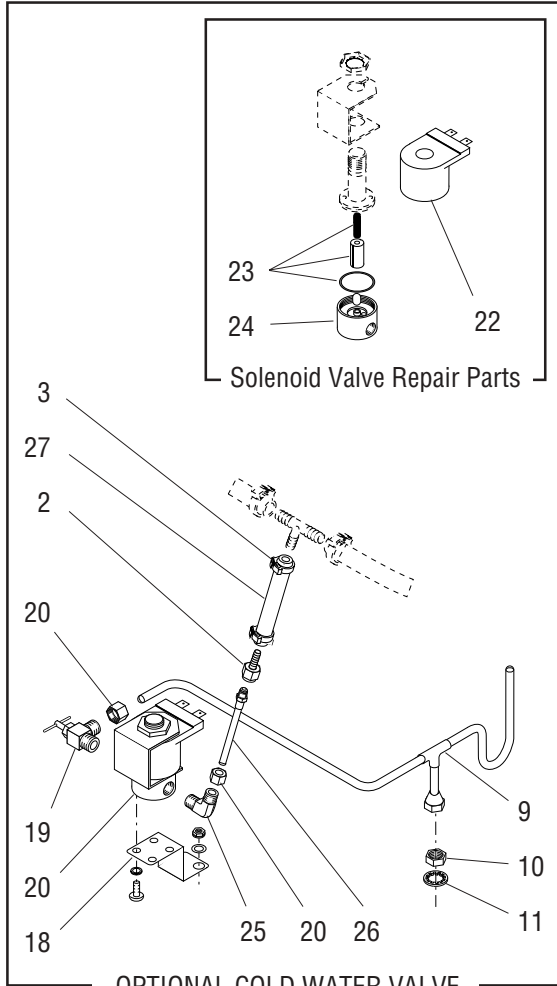


STRAINER, SOLENOID, FILL VALVE AND LINES

ITEM	PART NO.	QTY.	DESCRIPTION	
1	20202.0100	1	Tube, Tank Fill	
2	00425.0000	1	Fitting .25" Flare Nut x .25" Barb (1 additional used on models with cold water valve option)	
3	12422.0000	2	Clamp, Hose .47"/.54" I.D. (2 additional used on models with cold water valve option)	
4	-----	1	Tube, Silicone .25" I.D. x .50" O.D. x 13.0" (Order item 28)	
5	26443.0000	1	Reducer Barb .375" x .25"	
6	12422.0001	2	Clamp, Hose .59"/.66" I.D.	
7	-----	1	Tube, Silicone .375" I.D. x .625" O.D. x 6.0" (Order item 29)	
8	26135.0001	1	Valve Assy, Solenoid 120V (Serviced only as an assembly)	} Also see item 30
	26135.0002	1	Valve Assy, Solenoid 240V (Serviced only as an assembly)	
	02331.0001	2	Screw, Truss Head #10 - 32	
	00971.0000	2	Nut, Keps #10 - 32	
9	26661.0000	1	Tube Assy, Water Inlet (Models without Cold Water Valve Option)	
	27703.0000	1	Tube Assy, Water Inlet (Includes 1 of item 20) (Models W/Cold Water Valve Option)	
10	00463.0000	1	Nut, Hex .438" - 20	
11	01532.0000	1	Lockwasher, Internal Tooth .438"	
12	00459.0000	1	Fitting, Bulkhead	
13	21814.0016	1	Tube Assy	
14	23820.1000	1	Water Strainer Assy (Includes item 15 thru 17)	
15	-----	1	Body (Not available order item 14)	
16	23721.0000	1	Screen	
17	22249.0000	1	End Cap	
18	02530.0000	1	Bracket, Solenoid Mounting	} Models with Cold Water Valve Option
	01522.0000	2	Washer, Flat .203" I.D. x .50" O.D.	
	00970.0000	2	Nut, Keps #8 - 32	
19	00408.0001	1	Valve, Needle .25" Tube (Includes 1 of item 20)	
20	00443.0000	2	Nut/Sleeve, Compression .25" Tube	
21	01085.0000	1	Solenoid Valve Assy, 120V	} Solenoid Valve Repair Parts
	01975.0000	1	Solenoid Valve Assy, 240V	
	02331.0000	2	Screw, Truss Head #10 - 32 x .375"	
	01502.0000	2	Lockwasher, Split #10	
22	01101.0000	1	Solenoid Valve Coil, 120V	
	01100.0000	1	Solenoid Valve Coil, 240V	
23	01111.0000	1	Solenoid Valve Repair kit	
24	01079.0000	1	Solenoid Valve Base	

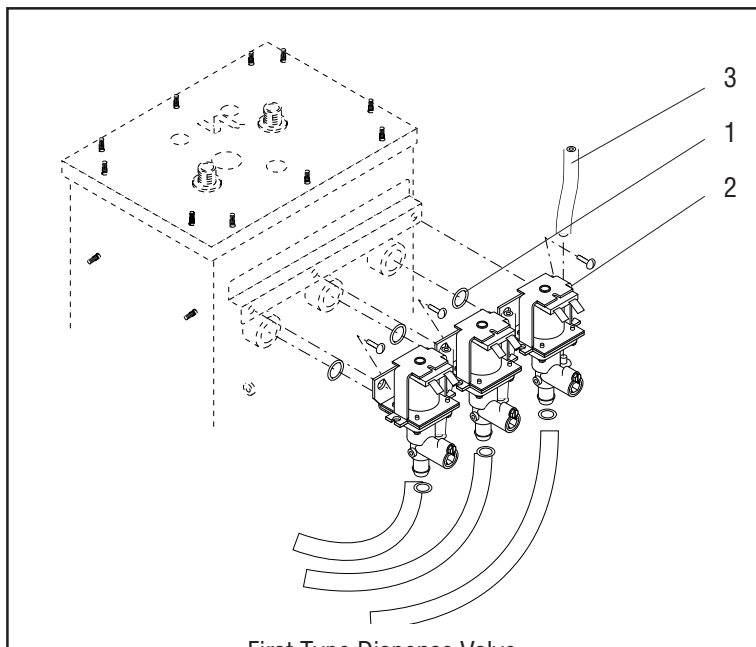
(Continued)

(Continued)

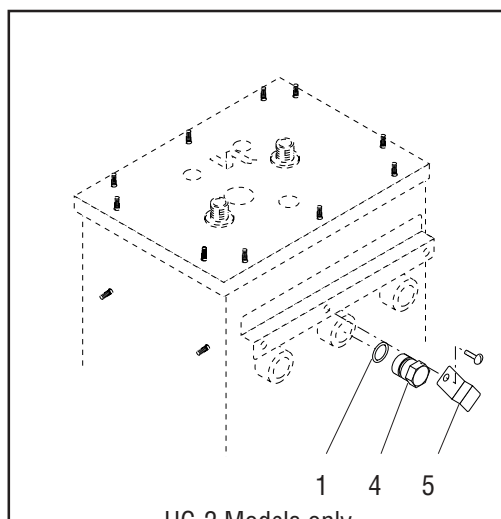


STRAINER, SOLENOID, FILL VALVE AND LINES

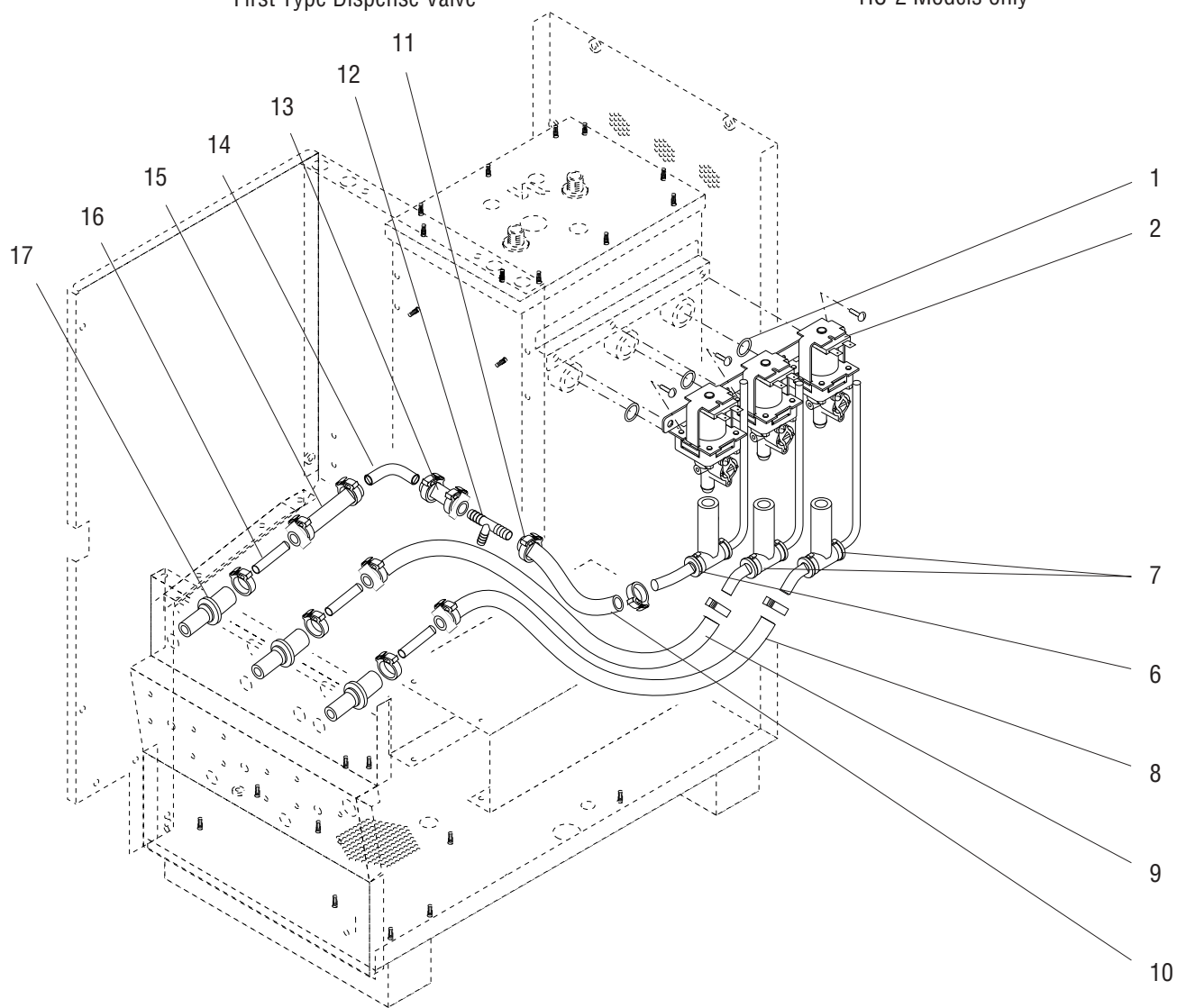
ITEM	PART NO.	QTY.	DESCRIPTION	
25	00465.0001	1	Elbow Assy, .25" Tube x .125" MPT (Includes 1 of item 20)	} Models with Cold Water Valve Option
26	26748.0000	1	Tube Assy, Water Outlet (Includes 1 of item 20)	
27	-----	1	Tube, Silicone .25" I.D. x 5.25" (Order item 28)	
28	11707.1000	-	Tube, Silicone .25" I.D. x .50" O.D. x 12.0"	
	11707.1001	-	Tube, Silicone .25" I.D. x .50" O.D. x 36.0"	
	11707.1002	-	Tube, Silicone .25" I.D. x .50" O.D. x 120.0"	
29	20976.1000	-	Tube, Silicone .375" I.D. x .625" O.D. x 12.0"	
	20976.1001	-	Tube, Silicone .375" I.D. x .625" O.D. x 36.0"	
	20976.1002	-	Tube, Silicone .375" I.D. x .625" O.D. x 120.0"	
30	26131.0000	-	Kit, Nut/O-ring (Includes nut, spacer, grab ring, washer & 2 o-rings) (Not illustrated)	



First Type Dispense Valve

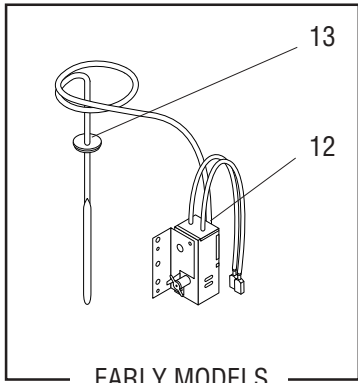


HC-2 Models only

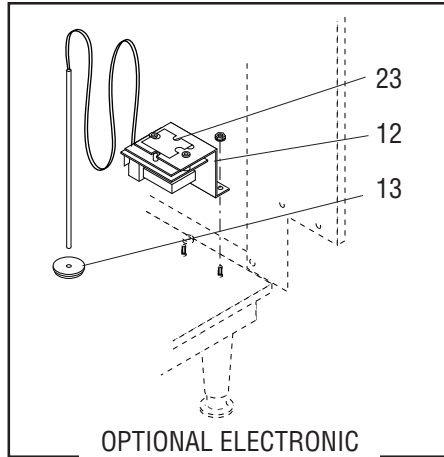


DISPENSE VALVES AND LINES

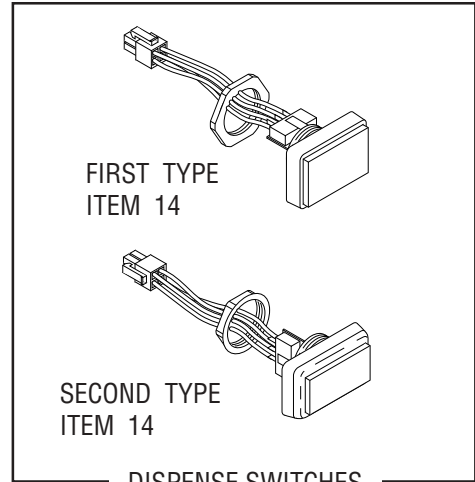
ITEM	PART NO.	QTY.		DESCRIPTION
				* HC-2 Models ** HC-3 Models
		*	**	
1	24733.0011	3	3	O-Ring
2	-----	2	3	Valve, Liquid Dispense (First type. Not available order item19)
	26116.0000	2	3	Valve, Liquid Dispense 120V (Available only as an assembly)
	26116.0001	2	3	Valve, Liquid Dispense 240V (Available only as an assembly)
	02331.0000	2	3	Screw, Truss Head #10 - 32 x .375"
				} Second type
3	27707.0000	2	3	Tube, Vent .25" O.D. x 3.0" (Used with first type valves only)
4	26369.0000	1	-	Plug, O-Ring
5	26395.0000	1	-	Retainer, Plug
	02331.0000	1	-	Screw, Truss Head #10 - 32 x .375"
6	27066.1000	1	1	Tee/Tube Assy (Left)
7	27066.1001	1	2	Tee/Tube Assy (Right or center)
				} Used with second type valves
8	-----	1	1	Tube, Silicone .375" I.D. x .625" O.D. x 15.6" (Order item 18)
9	-----	-	1	Tube, Silicone .375" I.D. x .625" O.D. x 15.4" (Order item 18)
10	-----	1	1	Tube, Silicone .375" I.D. x .625" O.D. x 8.9" (Order item 18) (Models without Cold Water Valve Option)
	-----	1	1	Tube, Silicone .375" I.D. x .625" O.D. x 5.25" (Order item 18) (Models with Cold Water Valve Option)
11	12422.0001	9	11	Clamp, Hose .59"/.66" I.D. (2 additional required on models with Cold Water Valve Option)
12	26442.0000	1	1	Tee, Hose Barb .375" x .375" x .25"
13	-----	-	1	Tube, Silicone .375" I.D. x .625" O.D. x 2.0" (Order item 18)
				} Models with Cold Water Valve Option
14	03102.0000	1	1	Elbow, 90° .375" Tube 1.0" x 1.0"
15	-----	1	1	Tube, Silicone .375" I.D. x .625" O.D. x 7.10" (Order item 18)
16	21801.0002	2	3	Tube, .375" O.D. x 1.50"
17	25803.0000	2	3	Water Inlet, Mixing Chamber
18	20976.1000	-	-	Tube, Silicone .375" I.D. x .625" O.D. x 12.0"
	20976.1001	-	-	Tube, Silicone .375" I.D. x .625" O.D. x 36.0"
	20976.1002	-	-	Tube, Silicone .375" I.D. x .625" O.D. x 120.0"
19	27735.0002	1	-	Kit, Dispense Valve Replacement (Includes items 6, 7 and 2 each of items 1, 2 & 11)
	27735.0003	-	1	Kit, Dispense Valve Replacement (Includes item 6, 2 of item 7 and 3 each of items 1, 2 & 11)
20	28187.0000	1	1	Kit, Dispense Valve Diaphragm (Includes 1 each of First Type & Second Type Diaphragm) (Not illustrated)



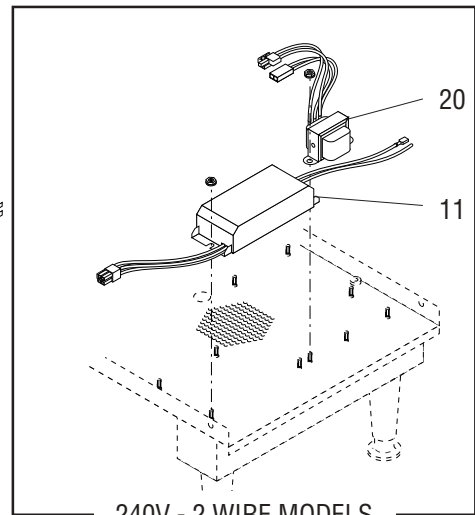
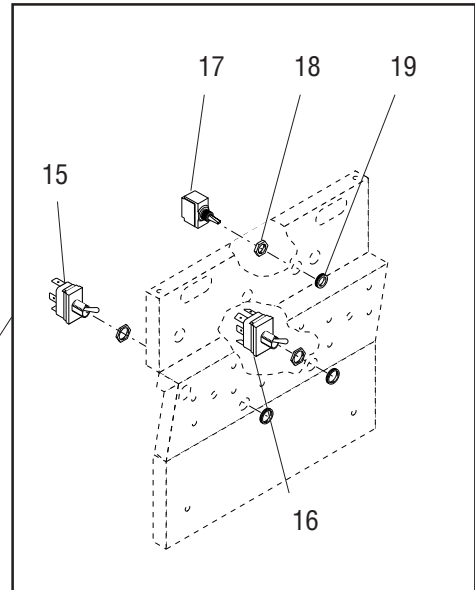
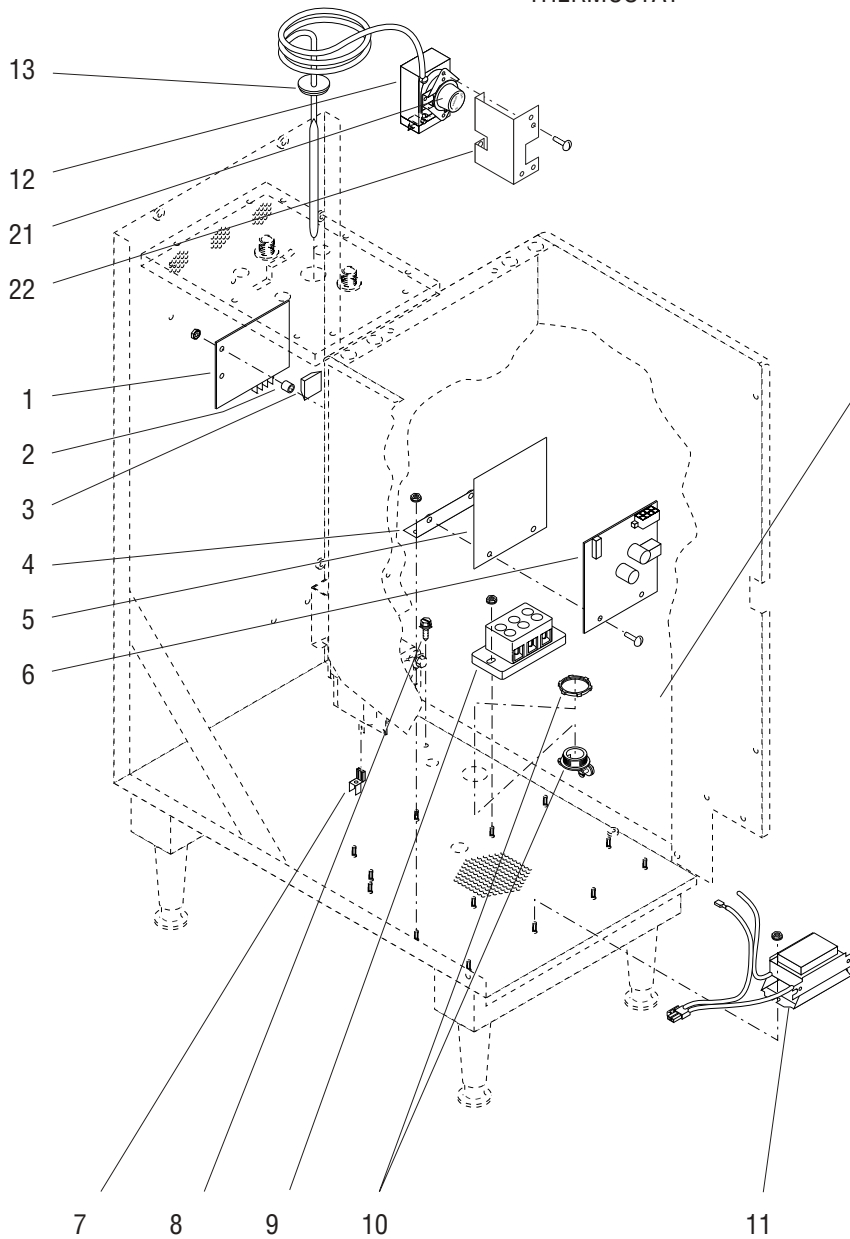
EARLY MODELS



OPTIONAL ELECTRONIC THERMOSTAT



DISPENSE SWITCHES



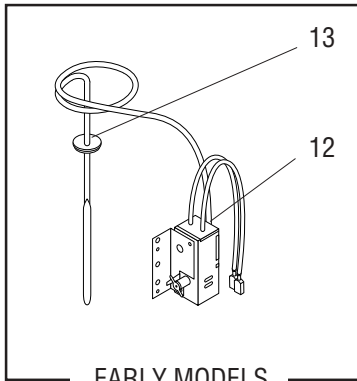
240V - 2 WIRE MODELS

ELECTRICAL CONTROLS

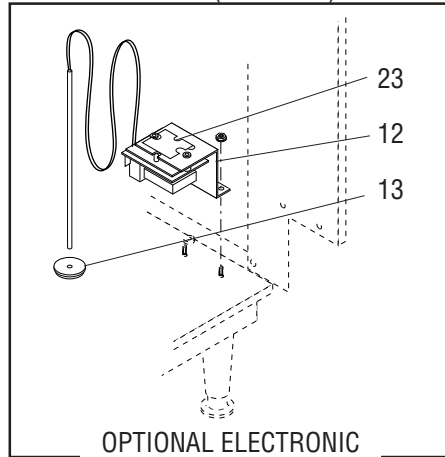
ITEM	PART NO.	QTY.	DESCRIPTION	
1	07074.1000	1	Control Board, Level - 120V 5 SEC	
	00970.0000	2	Nut, Keps #8 - 32	
2	00450.0000	2	Spacer .219" I.D. x .34" LG	
3	02547.0000	1	Foot, Rubber	
4	26663.0000	1	Bracket, Circuit Board Mounting	
	00970.0000	2	Nut, Keps #8 - 32	
5	27477.0000	1	Shield, Circuit Board	
6	28337.0000	1	Circuit Board, Hopper Delay 120V	
	28337.0001	1	Circuit Board, Hopper Delay 240V	
	01311.0000	2	Screw, Truss Head #8 - 32 x .25"	
7	04502.0000	-	Connector, Terminal (Use as required)	
8	01309.0000	1	Ground Screw W/Terminal Washer #10 - 32 x .50"	
9	01106.0000	1	Terminal Block, 2 Pole WHT/BLK	
	07038.0000	1	Terminal Block, 3 Pole - RED/WHT/BLK (Shown)	
	00970.0000	2	Nut, Keps #8 - 32	
10	01685.0000	1	Connector, Cord	
11	27553.0000	1	Ballast, 120V-60HZ W/Terminals	
	27753.0000	1	Ballast, 240V-50HZ W/Terminals	
	00970.0000	2	Nut, Keps #8 - 32	
12	28239.0000	1	Thermostat Kit, Mechanical 120V (Late Models) (Also replaces early model thermostat)	Models W/Mechanical Thermostat
	01310.0000	2	Screw, Truss Head #6-32 x .25"	
	26527.1002	1	Thermostat/Bracket Assembly, Electronic 120V (Includes item 23)	Models W/Electronic Thermostat
	00970.0000	2	Nut, Keps #8 - 32	
13	07073.0000	1	Grommet (Models with Mechanical Thermostat)	
	12570.0000	1	Grommet (Models with Electronic Thermostat)	
14	26559.0001	3	Switch Assembly W/Terminals (Includes mounting nut) (1 less used on HC-2 Models) (First Type)	
	28044.0000	3	Switch Assembly W/Terminals (Includes mounting nut) (1 less used on HC-2 Models) (Second Type)	
15	05761.0000	1	Switch, Toggle ON/ON SPDT (Includes mounting nuts) (Models with Cold Water Valve Option only)	
16	05762.0000	1	Switch, Toggle ON/ON DPDT (Includes mounting nuts)	
17	23522.0000	1	Switch, Toggle ON/OFF-Tank Heater (Includes item 18, also order item 19)	
18	23696.0000	1	Nut, Hex .469" - 32	
19	23697.0000	1	Nut, Plastic Face .469" - 32	
20	27756.0000	1	Transformer, 230/115V (240V models only)	
	00970.0000	2	Nut, Keps #8 - 32	
21	00720.0000	1	Knob, Thermostat (Late Models)	

(Continued)

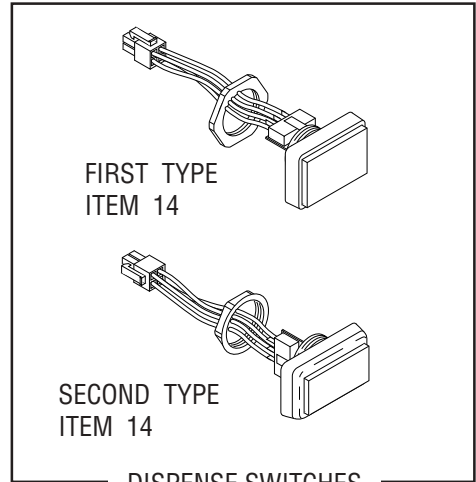
(Continued)



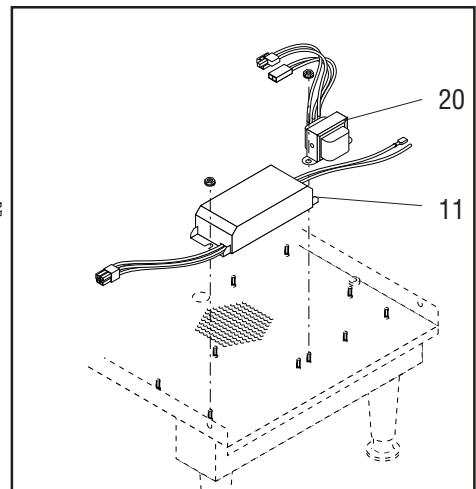
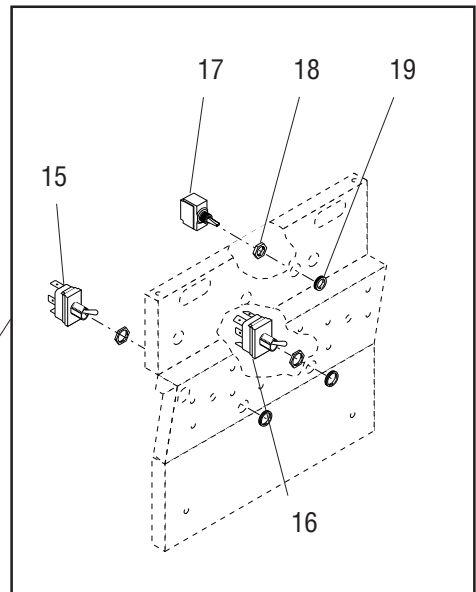
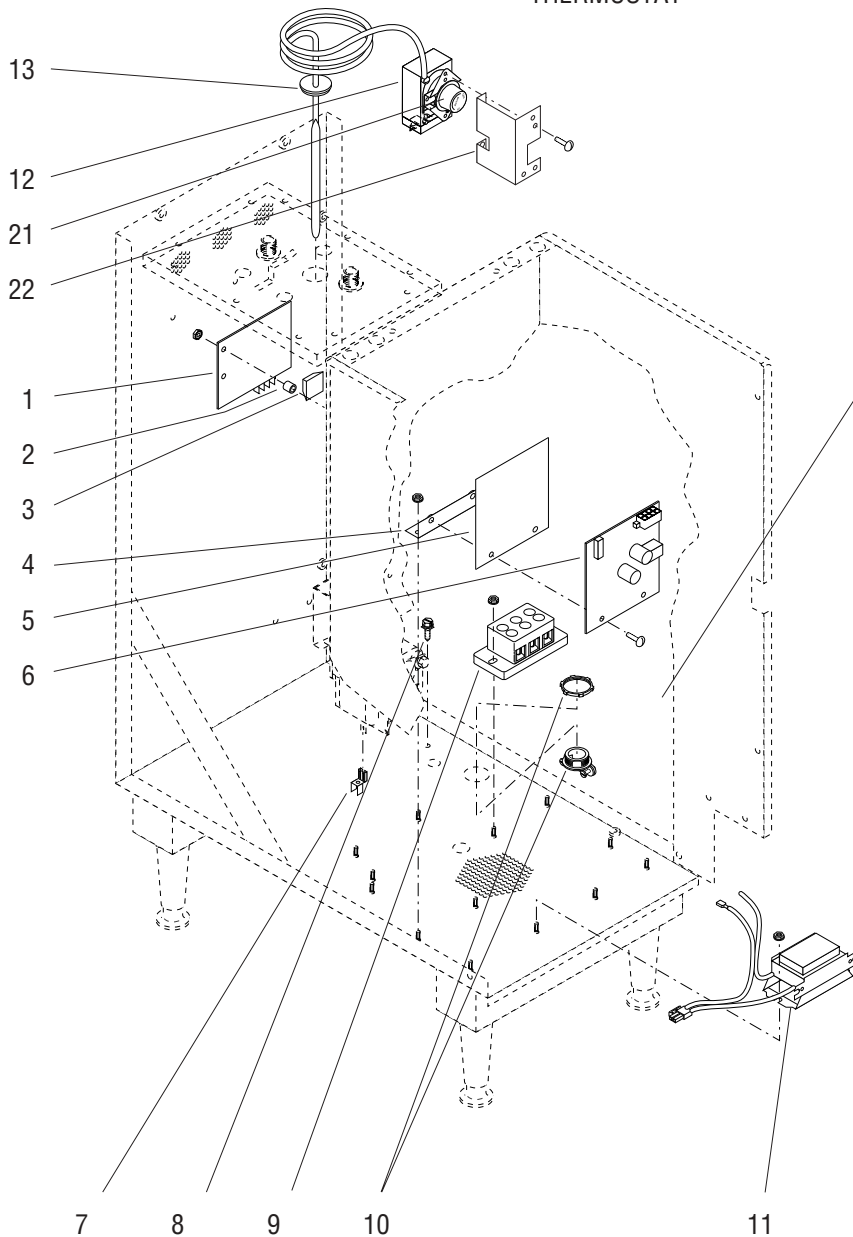
EARLY MODELS



OPTIONAL ELECTRONIC
THERMOSTAT



DISPENSE SWITCHES



240V - 2 WIRE MODELS

P1225.50

ELECTRICAL CONTROLS

ITEM	PART NO.	QTY.	DESCRIPTION	
22	28195.0000	1	Bracket, Thermostat Mounting	
23	26536.0000	1	Decal, Thermostat Adjustment	
24	01713.1000	1	Cord Assembly, Power (120V 15Amp Models only)	} Not illustrated
	23799.0001	1	Cord Assembly, Power (120V 20Amp Models only)	
25	27582.0000	1	Wiring Harness, Control - 120V	
	27582.0001	1	Wiring Harness, Control - 120/240V	
	27582.0002	1	Wiring Harness, Control - 120V	
	27582.0003	1	Wiring Harness, Control - 120/240V	
26	-----	1	Wiring Harness, Door (See Door, Lamps and Panels)	
27	26666.0000	1	Wiring Harness, Hopper Delay	
28	27605.0000	1	Wiring Harness, Cold Water (Models W/Cold Water Valve Option)	
29	25347.0001	1	Wiring Harness, Thermostat (Late Models)	
30	05920.0000	1	Clamp, Cable .250" I.D.	
	00908.0000	1	Nut, Hex #8-32	
31	28045.0000	-	Kit, Dispense Switch (Converts first type Dispense Switches to second type) (Includes 3 of item 14)	

NUMERICAL INDEX

PART NO.	PAGE NO.	PART NO.	PAGE NO.	PART NO.	PAGE NO.	PART NO.	PAGE NO.
00408.0001	17	02547.0000	23	24733.0010	13	26520.0000	9
00425.0000	17	03102.0000	21	24733.0011	21	26520.0001	9
00443.0000	17	03236.1001	15	25347.0001	25	26522.0000	5
00450.0000	23	03236.1002	15	25414.0000	5	26523.0000	5
00459.0000	17	03236.1003	15	25414.0002	5	26524.0000	5
00463.0000	17	03633.0000	15	25732.0000	13	26525.0000	9
00465.0001	19	03803.0000	15	25733.0000	13	26525.0002	9
00619.0005	5	03807.0000	15	25734.0000	13	26527.1002	23
00619.0011	7	03996.0000	7	25736.0000	13	26528.0000	7
00620.0000	11	04502.0000	23	25742.0000	11	26536.0000	25
00656.0000	7	05761.0000	23	25743.0000	11	26537.0000	9
00669.0002	13	05762.0000	23	25744.0000	11	26537.0001	9
00670.0000	5	05920.0000	25	25794.0000	11	26537.0003	9
00720.0000	25	07038.0000	23	25796.0000	5	26559.0001	23
00831.0000	7	07073.0000	23	25796.0002	5	26576.0000	5
00851.0000	9	07074.1000	23	25803.0000	21	26576.0002	5
00908.0000	13,15,25	11646.0000	9	25899.0000	9	26636.0000	15
00929.0001	15	11707.1000	19	25901.0000	5	26661.0000	17
00942.0000	15	11707.1001	19	25901.0002	5	26663.0000	23
00943.0000	15	11707.1002	19	25902.0000	13	26665.1000	15
00946.0000	15	12368.0002	5	25903.0000	11	26666.0000	25
00970.0000	9,13,11,15,17,23	12422.0000	15,17	26112.0001	11	26748.0000	19
00971.0000	17	12422.0001	17,21	26116.0000	21	26749.0000	5
00991.0002	11	12552.0000	15	26116.0001	21	26754.0000	11
01079.0000	17	12570.0000	23	26126.1000	11	26754.0001	11
01085.0000	17	13255.0003	7	26126.1001	11	26864.0000	11
01100.0000	17	20201.0750	15	26126.1002	11	26886.1000	7
01101.0000	17	20201.4150	15	26131.0000	19	26892.0000	9
01106.0000	23	20201.4151	15	26135.0001	17	26926.0000	13
01111.0000	17	20202.0100	17	26135.0002	17	26940.0000	11
01308.0000	13	20203.0100	15	26233.0000	5	27016.1000	7
01309.0000	23	20621.0000	7	26239.0000	9	27017.0000	5
01310.0000	23	20960.0000	11	26244.1001	13	27017.0001	5
01311.0000	5,7,9,11,23	20976.1000	19,21	26247.0000	11	27066.1000	21
01311.0001	5,11,13	20976.1001	19,21	26355.0000	13	27066.1001	21
01311.0003	5	20976.1002	19,21	26356.0000	13	27068.0001	11
01315.0000	11	21355.0001	11	26359.0000	13	27126.1000	9
01384.0000	13	21357.0000	11	26369.0000	21	27290.0000	5
01501.0000	15	21358.0000	11	26393.1000	13	27295.0000	9
01502.0000	17	21365.0000	11	26393.1001	13	27296.0000	9
01522.0000	13,17	21801.0002	15	26395.0000	21	27298.0000	5
01532.0000	17	21801.0002	21	26401.0000	11	27305.0000	5
01570.0000	15	21814.0016	17	26435.0000	11	27305.0002	5
01685.0000	23	22249.0000	17	26435.0001	11	27476.0000	7
01713.1000	25	22978.0000	15	26436.0000	11	27476.0002	7
01975.0000	17	23164.0001	5	26441.0000	11	27477.0000	23
02308.0000	5	23164.0002	7	26442.0000	21	27520.1001	9
02322.0002	15	23199.0002	15	26443.0000	17	27539.0000	13
02324.0000	13	23522.0000	23	26444.0000	9	27553.0000	23
02328.0002	9	23696.0000	23	26449.0000	11	27582.0000	25
02328.0003	13	23697.0000	23	26493.0000	13	27582.0001	25
02330.0001	9	23721.0000	17	26496.0000	11	27582.0002	25
02331.0000	5,17,21	23799.0001	25	26503.0000	15	27582.0003	25
02331.0001	5,17	23820.1000	17	26504.0000	5	27584.0000	9
02530.0000	17	24331.0000	13	26507.0001	9	27584.0001	9
02536.0000	15	24547.0001	15	26507.0002	9	27585.0000	9

NUMERICAL INDEX

PART NO.	PAGE NO.	PART NO.	PAGE NO.	PART NO.	PAGE NO.	PART NO.	PAGE NO.
27586.0000	9						
27587.0000	9						
27593.0000	5						
27593.0004	5						
27597.0000	9						
27602.1000	9						
27604.0000	5						
27604.0001	5						
27605.0000	25						
27619.0000	9						
27620.0000	7						
27673.0000	7						
27673.0001	7						
27674.0000	9						
27674.0001	9						
27675.0000	9						
27703.0000	17						
27707.0000	21						
27734.0000	7						
27735.0002	21						
27735.0003	21						
27753.0000	23						
27756.0000	23						
28044.0000	23						
28045.0000	25						
28061.0000	11						
28065.0000	11						
28110.0000	11						
28187.0000	21						
28195.0000	25						
28239.0000	23						
28267.0000	5						
28337.0000	23						
28337.0001	23						
28699.0000	5						
28701.0000	7						
29329.1000	15						
32306.0000	13						
34179.0000	13						