

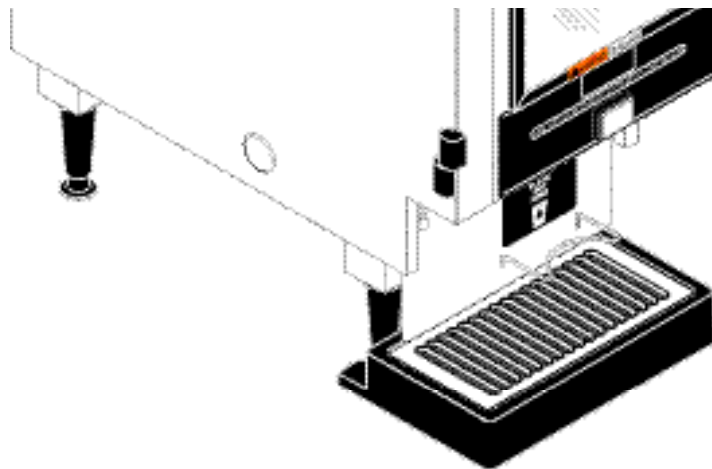
# **BUNN**®

# *HC-1*

(SERIAL # HC00025000 - UP)



**DISCONTINUED VERSION**  
**Parts listed in this catalog**  
**may no longer be available.**



## **ILLUSTRATED PARTS CATALOG**

Designs, materials, weights, specifications, and dimensions for equipment or replacement parts are subject to change without notice.

**BUNN-O-MATIC CORPORATION**

POST OFFICE BOX 3227

SPRINGFIELD, ILLINOIS 62708-3227

PHONE: (217) 529-6601 FAX: (217) 529-6644

## BUNN-O-MATIC COMMERCIAL PRODUCT WARRANTY

Bunn-O-Matic Corp. ("BUNN") warrants equipment manufactured by it as follows:

- 1) All equipment other than as specified below: 2 years parts and 1 year labor.
- 2) Electronic circuit and/or control boards: parts and labor for 3 years.
- 3) Compressors on refrigeration equipment: 5 years parts and 1 year labor.
- 4) Grinding burrs on coffee grinding equipment to grind coffee to meet original factory screen sieve analysis: parts and labor for 3 years or 30,000 pounds of coffee, whichever comes first.

These warranty periods run from the date of installation BUNN warrants that the equipment manufactured by it will be commercially free of defects in material and workmanship existing at the time of manufacture and appearing within the applicable warranty period. This warranty does not apply to any equipment, component or part that was not manufactured by BUNN or that, in BUNN's judgment, has been affected by misuse, neglect, alteration, improper installation or operation, improper maintenance or repair, damage or casualty. This warranty is conditioned on the Buyer 1) giving BUNN prompt notice of any claim to be made under this warranty by telephone at (217) 529-6601 or by writing to Post Office Box 3227, Springfield, Illinois 62708-3227; 2) if requested by BUNN, shipping the defective equipment prepaid to an authorized BUNN service location; and 3) receiving prior authorization from BUNN that the defective equipment is under warranty.

**THE FOREGOING WARRANTY IS EXCLUSIVE AND IS IN LIEU OF ANY OTHER WARRANTY, WRITTEN OR ORAL, EXPRESS OR IMPLIED, INCLUDING, BUT NOT LIMITED TO, ANY IMPLIED WARRANTY OF EITHER MERCHANTABILITY OR FITNESS FOR A PARTICULAR PURPOSE.** The agents, dealers or employees of BUNN are not authorized to make modifications to this warranty or to make additional warranties that are binding on BUNN. Accordingly, statements by such individuals, whether oral or written, do not constitute warranties and should not be relied upon.

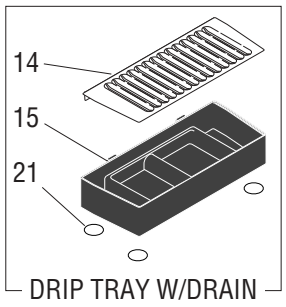
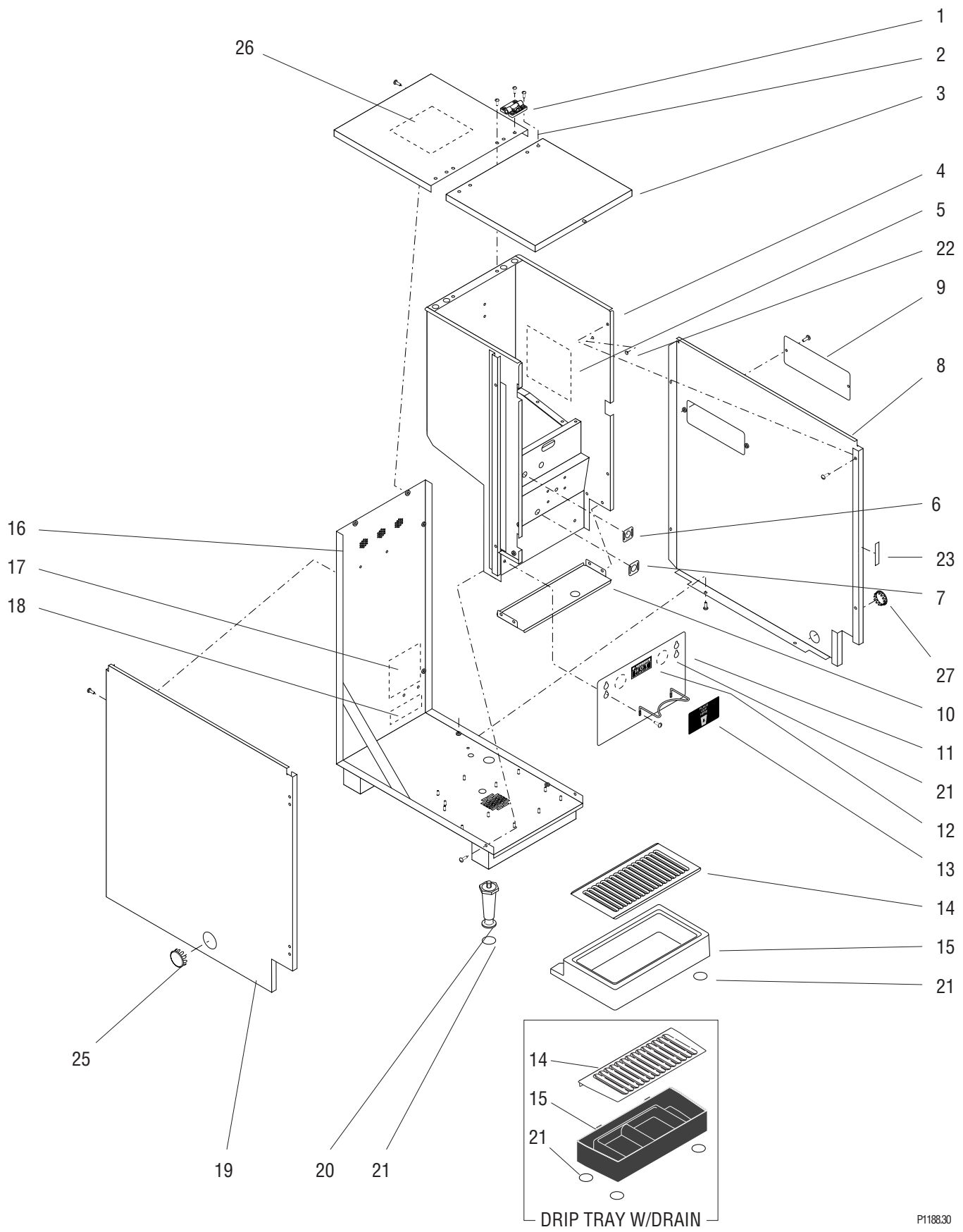
If BUNN determines in its sole discretion that the equipment does not conform to the warranty, BUNN, at its exclusive option while the equipment is under warranty, shall either 1) provide at no charge replacement parts and/or labor (during the applicable parts and labor warranty periods specified above) to repair the defective components, provided that this repair is done by a BUNN Authorized Service Representative; or 2) shall replace the equipment or refund the purchase price for the equipment.

**THE BUYER'S REMEDY AGAINST BUNN FOR THE BREACH OF ANY OBLIGATION ARISING OUT OF THE SALE OF THIS EQUIPMENT, WHETHER DERIVED FROM WARRANTY OR OTHERWISE, SHALL BE LIMITED, AT BUNN'S SOLE OPTION AS SPECIFIED HEREIN, TO REPAIR, REPLACEMENT OR REFUND.**

In no event shall BUNN be liable for any other damage or loss, including, but not limited to, lost profits, lost sales, loss of use of equipment, claims of Buyer's customers, cost of capital, cost of down time, cost of substitute equipment, facilities or services, or any other special, incidental or consequential damages.

# TABLE OF CONTENTS

Auger Drive and Hopper Assembly .....	10
Covers, Panels and Drip Tray .....	4
Dispense Valves and Lines .....	18
Door, Lamp and Panels .....	8
Electrical Controls .....	20
Mixing/Whipper Chamber, Drive Motor and Fan .....	12
Numerical Index .....	24
Strainer, Solenoid, Fill Valve and Lines .....	16
Tank, Heater and Overflow Protection .....	14



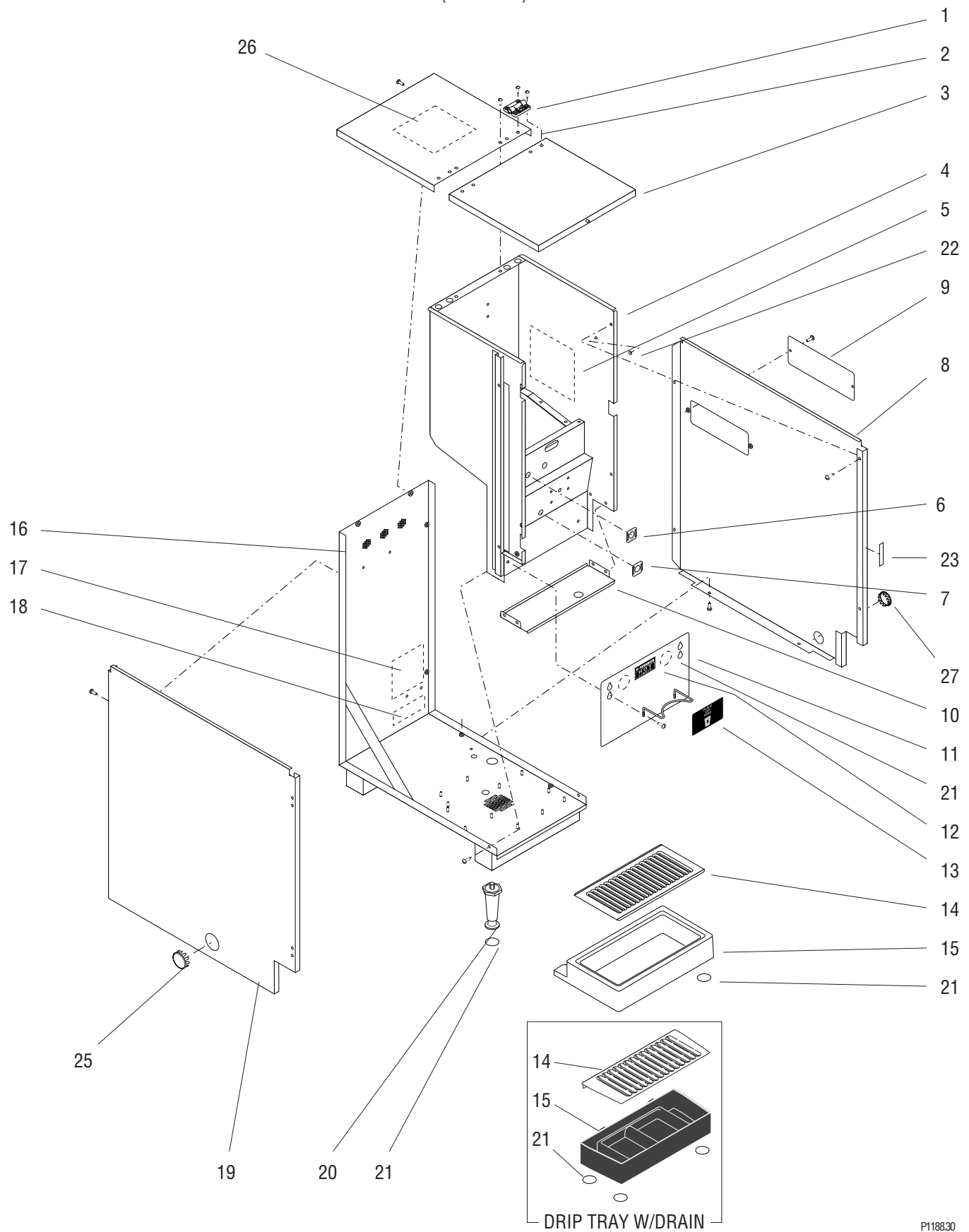
P1188.30

## COVERS, PANELS AND DRIP TRAY

ITEM	PART NO.	QTY.	DESCRIPTION
1	26504.0000	2	Hinge
	02308.0000	8	Screw, Pan Head #8 - 32 x .375"
2	25796.0000	1	Cover, Top Rear (SST)
	25796.0002	1	Cover, Top Rear (Black)
	02331.0000	4	Screw, Truss Head #10 - 32 x .375" (SST)
	02331.0001	4	Screw, Truss Head #10 - 32 x .375" (Black)
3	25901.0000	1	Cover, Top Front (SST)
	25901.0002	1	Cover, Top Front (Black)
4	-----	1	Panel W/Decals, Front (Not available)(Mechanical Thermostat)
	-----	1	Panel W/Decals, Front (Not available)(Electrical Thermostat)
	02331.0000	2	Screw, Truss Head #10 - 32 x .375"
5	27593.0000	1	Schematic, 120 & 120/240V
6	26524.0000	1	Decal, Tank Heater Switch
7	26523.0000	1	Decal, Rinse/Run Switch
8	27604.0000	1	Cover, Right Side (SST)
	27604.0001	1	Cover, Right Side (Black)
	27305.0000	1	Cover, Right Side (SST)
	27305.0002	1	Cover, Right Side (Black)
	01311.0000	6	Screw, Truss Head #8 - 32 x .25"
9	25414.0000	1	Cover, Access (SST)
	25414.0001	1	Cover, Access (Black)
	01311.0000	2	Screw, Truss Head #8 - 32 x .25" (SST)
	01311.0003	2	Screw, Truss Head #8 - 32 x .25" (Black)
10	26233.0001	1	Panel, Splash
	01311.0000	4	Screw, Truss Head #8 - 32 x .25"
11	26757.0000	1	Plate W/Decals, Cup Stop (Includes items 12, 13 & 2 of item 21)
	01311.0001	2	Screw, Truss Head #8 - 32 x .25" Locking
12	12368.0002	1	Decal, Caution-Hot Liquid
13	26576.0001	1	Decal, Cup Placement
14	27017.0000	1	Cover, Drip Tray (For stainless steel drip tray)
	27017.0001	1	Cover, Drip Tray (For black plastic drip tray)
	28267.0000	1	Cover, Drip Tray (Drip tray w/Drain hole)
15	27016.1000	1	Drip Tray Assy, - SST (Includes 4 of item 21)
	26886.1000	1	Drip Tray Assy, - Black Plastic (Includes 4 of item 21)
	28669.0000	1	Drip Tray Assy, - Black (Includes 4 of item 21)(Drip tray w/Drain hole)
16	27673.0000	1	Cover W/Decals, Rear & Bottom (Includes items 17 & 18)
17	00831.0000	1	Decal, Warning-Electrical
18	00656.0000	1	Decal, Comply to Plumbing Code
19	27476.0000	1	Cover, Left Side (SST)
	27476.0002	1	Cover, Left Side (Black)
	01311.0000	6	Screw, Truss Head #8 - 32 x .25"

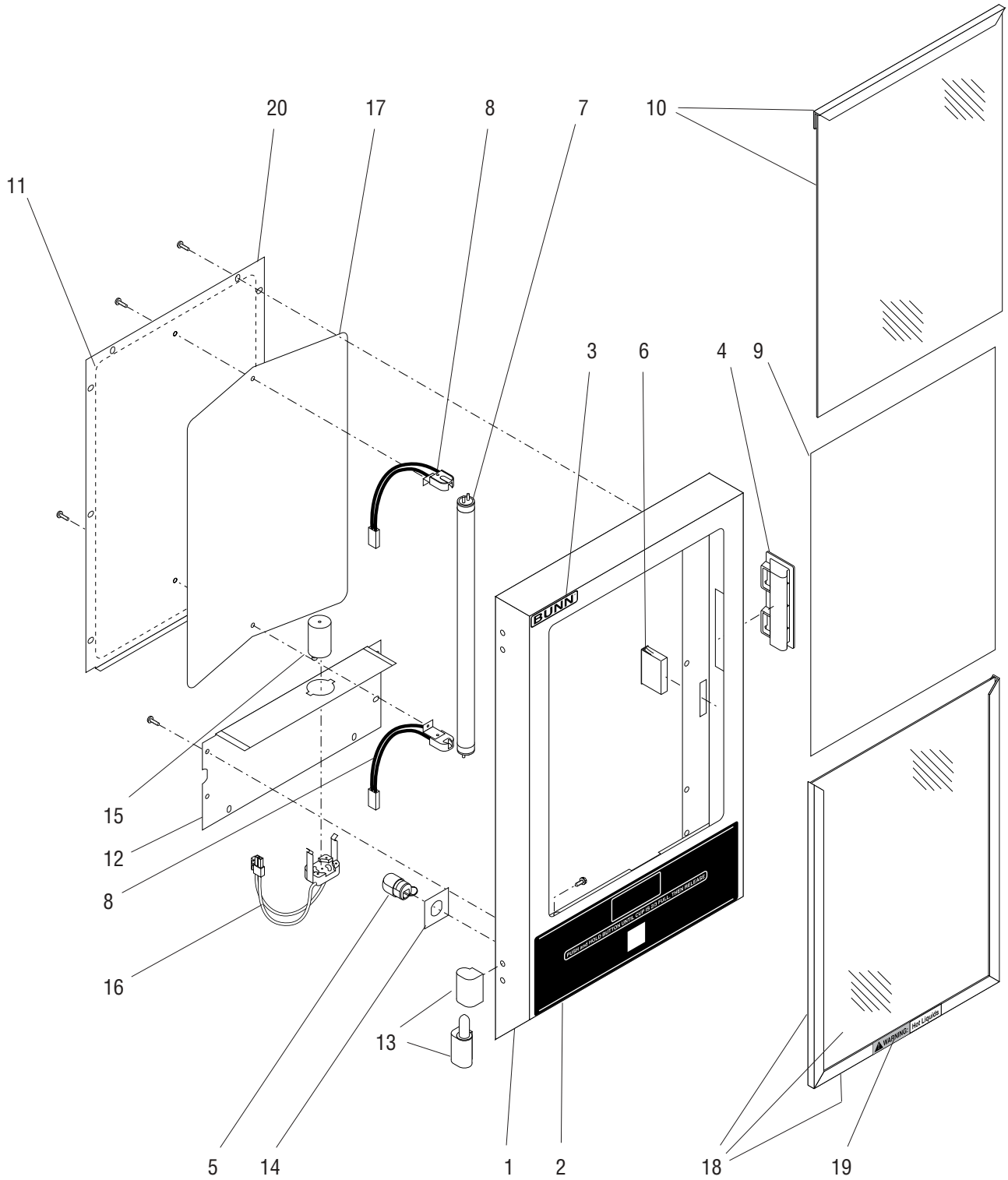
(Continued)

(Continued)



## COVERS, PANELS AND DRIP TRAY

ITEM	PART NO.	QTY.	DESCRIPTION
20	26528.0000	4	Leg, 4.0" Adjustable (Also see item 24)
21	03996.0000	10	Pad, Rubber 1.25" Dia.
22	20621.0000	6	Plug, Hole .203" Dia.
23	27298.0000	1	Strike Assembly (Self Adhesive)
24	13255.0003	1	Kit, Leg 4.0" Adjustable (Includes 4 each of items 20 & 21) (Not illustrated)
25	00619.0011	1	Plug, Hole 1.50" Dia (SST)
	23164.0002	1	Plug, Hole 1.50" Dia (Black)
26	27620.0000	1	Decal, Mechanical Thermostat Adjustment Only
27	00619.0005	1	Plug, Hole 1.062" Dia (SST)
	23164.0001	1	Plug, Hole 1.062" Dia (Black)
			} Right Side. Models w/electronic thermostat
28	28701.0000	-	Drip Tray Kit w/Drain Hole (Includes items 14,15 & 21)

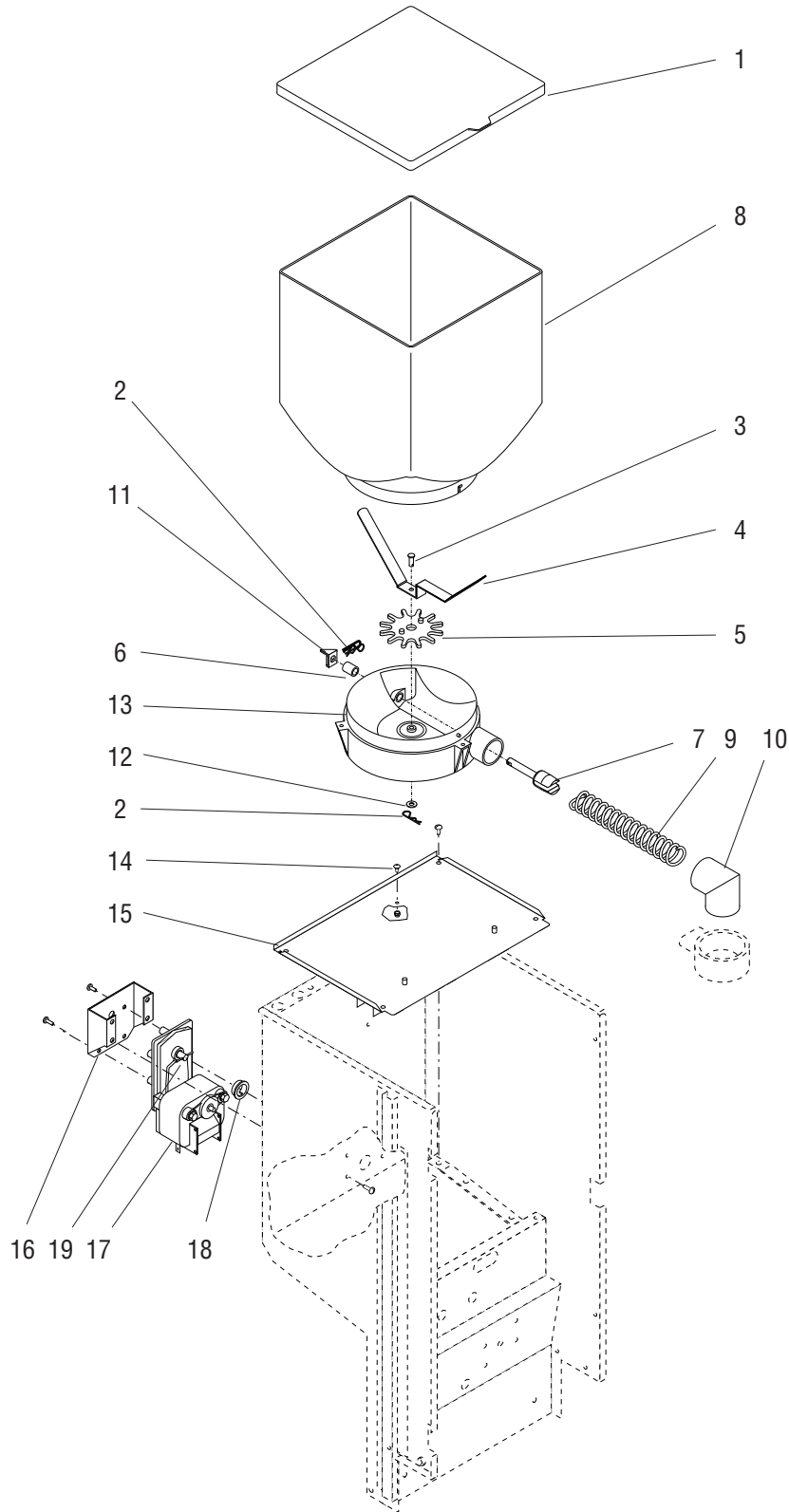




## DOOR, LAMP AND PANELS

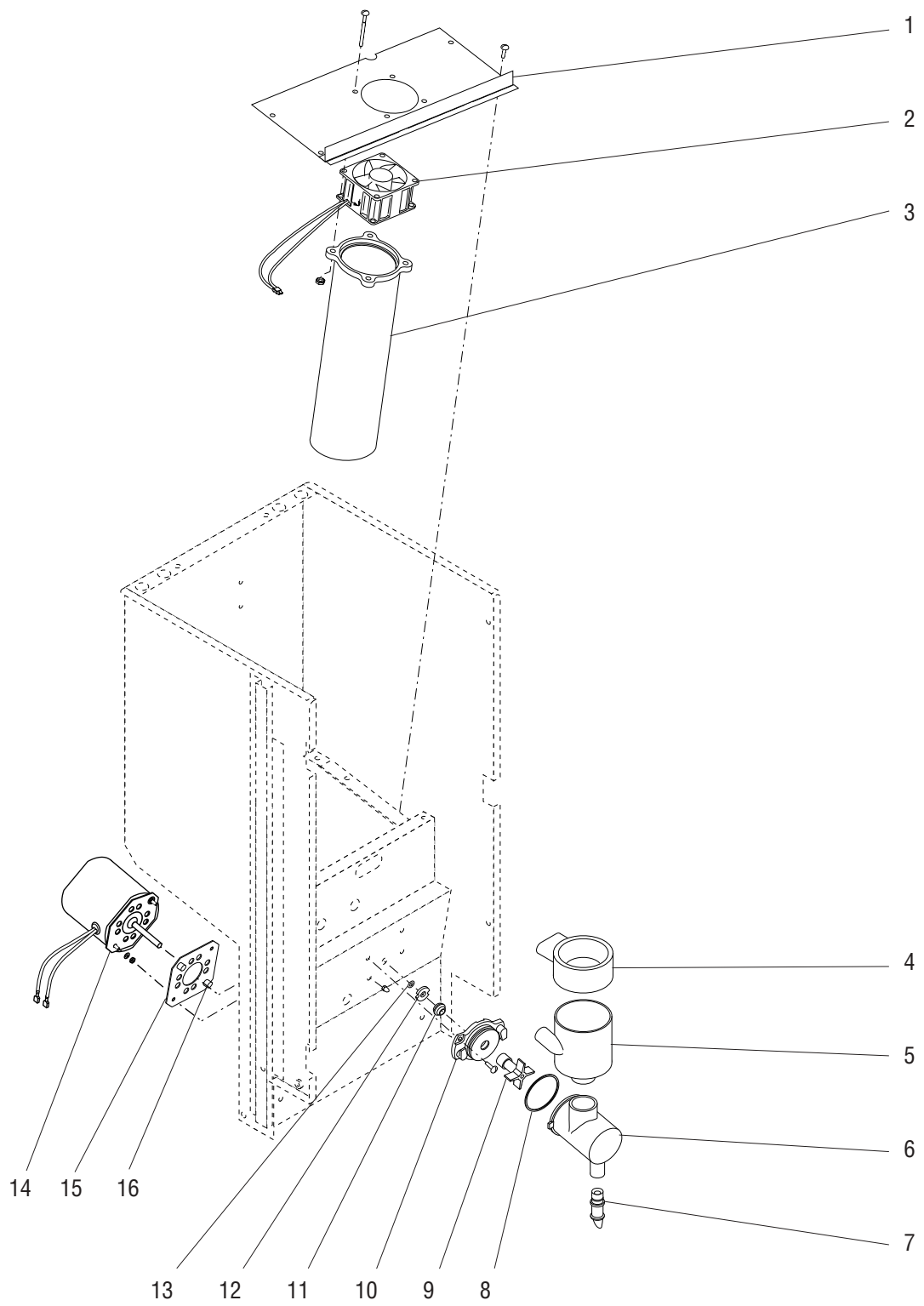
ITEM	PART NO.	QTY.	DESCRIPTION
1	27674.0000	1	Door W/Decals (SST) (Includes Item 3 & 18 - also order item 2)
	27674.0001	1	Door W/Decals (Black) (Includes Item 3 & 18 - also order item 2)
2	26525.0001	1	Decal, Door Front
3	00851.0000	1	Decal, BUNN
4	27295.0000	1	Handle, Door
5	26444.0000	2	Bushing, Strain Relief
6	25899.0000	1	Magnetic Catch
7	26239.0000	1	Lamp, Fluorescent - 8 Watts
8	27587.0000	2	Lamp Holder, Fluorescent
	02361.0000	2	Screw, Pan Head #6-32 x .188"
9	26520.0000	1	Display, Graphics (Cafe Scene)
	26520.0001	1	Display, Graphics (Fireside Scene)
10	27126.1000	1	Window W/Top Frame Assembly
11	27585.0001	1	Decal, Cleaning
12	27520.1001	1	Cover, Door - Bottom (Includes tape)
	01311.0000	6	Screw, Truss Head #8 - 32 x .25"
13	27296.0000	2	Hinge, Door
	02330.0001	8	Screw, Hex Head-Washer #10-24 x .375"
14	26892.0000	1	Plate, Strain Relief
15	27619.0000	1	Starter, Lamp
16	27586.0000	1	Socket W/Terminals, Starter
17	27597.0000	1	Reflector, Door Lamp
18	27602.1000	1	Window W/Side and Bottom Frame (Includes item 19)
19	11646.0000	1	Decal, Warning - Hot Liquids
20	27675.0001	1	Cover W/Decal, Door (Includes item 11)
	01311.0000	8	Screw, Truss Head #8-32 x .25"
21	26507.0001	1	Wiring Harness, Door Interconnect (Includes item 14 & 1 of item 5)
	00970.0000	1	Nut, Keps #8-32 (Ground)
22	27584.0000	1	Wiring Harness, Door
23	26537.0000	1	Decal, Flavors (Almond Amaretto, Cappuccino, French Vanilla, Hazelnut, Hot Chocolate and Raspberry Mocha)
	26537.0001	1	Decal, Flavors (Swiss Mocha, Mocha, Raspberry Vanilla, Irish Creme, Coffee and Original)
	26537.0003	1	Decal, Flavors (White Chocolate, Cinnamon Vanilla Nut, Decaf, Regular, French Vanilla and Hot Chocolate)

Not  
illus-  
trated



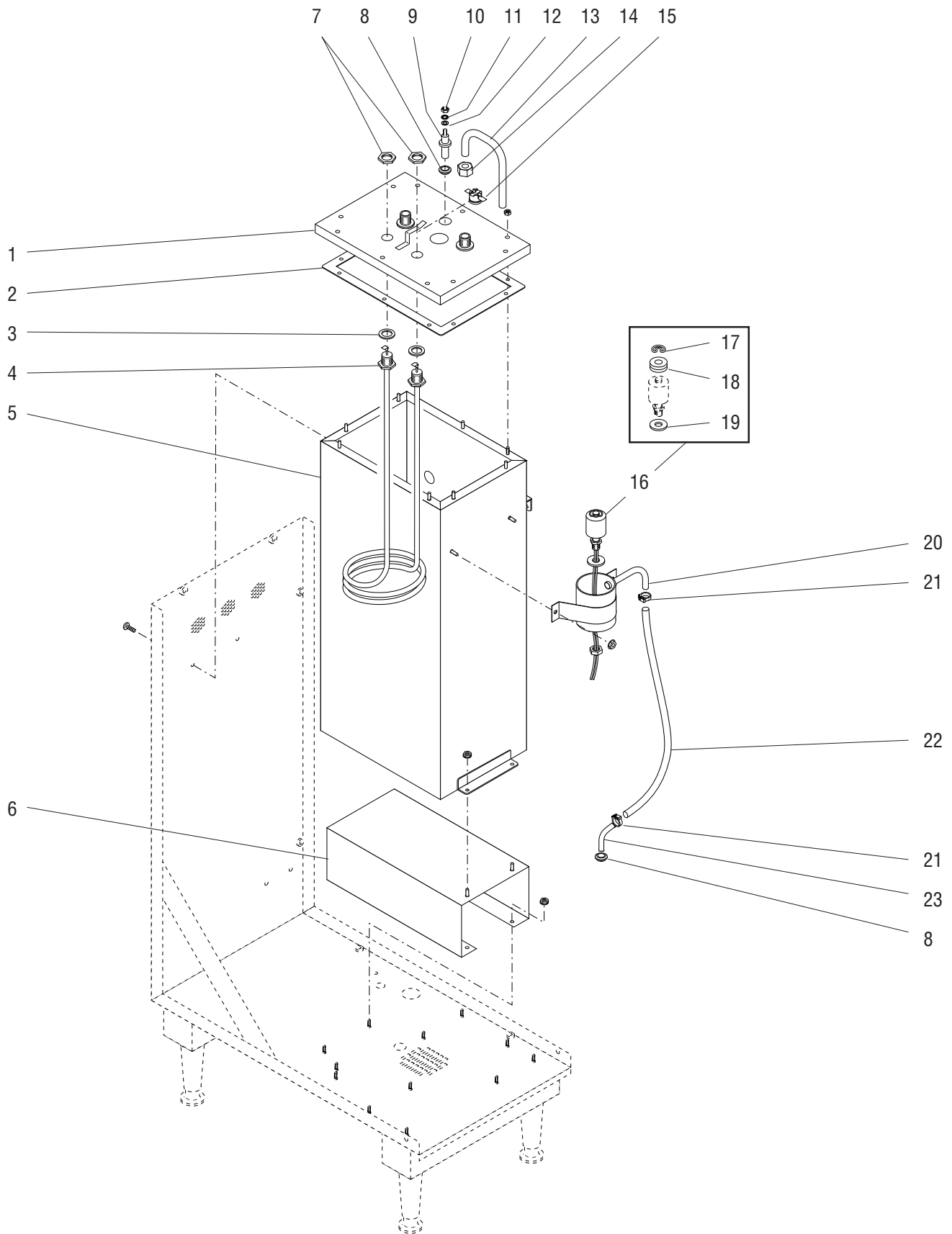
## AUGER DRIVE AND HOPPER ASSEMBLY

ITEM	PART NO.	QTY.	DESCRIPTION
-	25894.1000	1	Hopper & Auger Drive Assy (8 Tooth Drive Gear) (Includes items 1 thru 13)
1	25904.0000	1	Lid, Hopper
2	21358.0000	2	Clip, Retainer
3	21357.0000	1	Shaft, Wiper
4	21747.0000	1	Blade, Wiper
5	26680.0000	1	Gear, Wiper Drive (8 Teeth)
	21746.0000	1	Gear, Wiper Drive (12 Teeth)
6	25892.0000	1	Spacer, .312" I.D. x .437" O.D. x .56" LG
7	26940.0001	1	Shaft, Auger Drive
8	25895.0000	1	Hopper
9	26112.0000	1	Auger, Wire (Use with 8 Tooth Wiper Drive Gear)
	21355.0000	1	Auger, Wire (Use with 12 Tooth Wiper Drive Gear)
10	25903.0000	1	Elbow, Ejector
11	25744.0000	1	Bracket, Auger Drive
12	01522.0000	1	Washer .203" I.D. x .50" O.D.
13	25891.0000	1	Base, Hopper
14	20960.0000	1	Screw, Shoulder #6 - 32 x .375"
	00991.0002	1	Nut, Elastic Lock #6 - 32
15	-----	1	Panel, Hopper Support (Prior to 01/97. Order 26238.0002)
	26238.0002	1	Panel, Hopper Support (Effective 01/97)
	01311.0000	4	Screw, Truss Head #8 - 32 x .25"
16	25794.0000	1	Bracket, Motor Mounting
	01311.0001	4	Screw, Truss Head #8 - 32 x .25" Locking
17	26754.0000	1	Gearmotor W/Pin, Auger (Includes item 19)
	01311.0000	4	Screw, Truss Head #8 - 32 x .25"
18	26401.0000	1	Dust Seal, Hopper Motor
19	26247.0000	1	Pin, Spring .094" Dia. x 1.0"



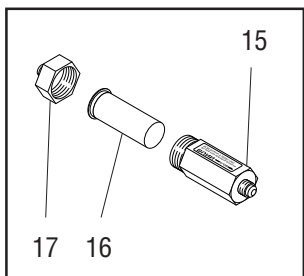
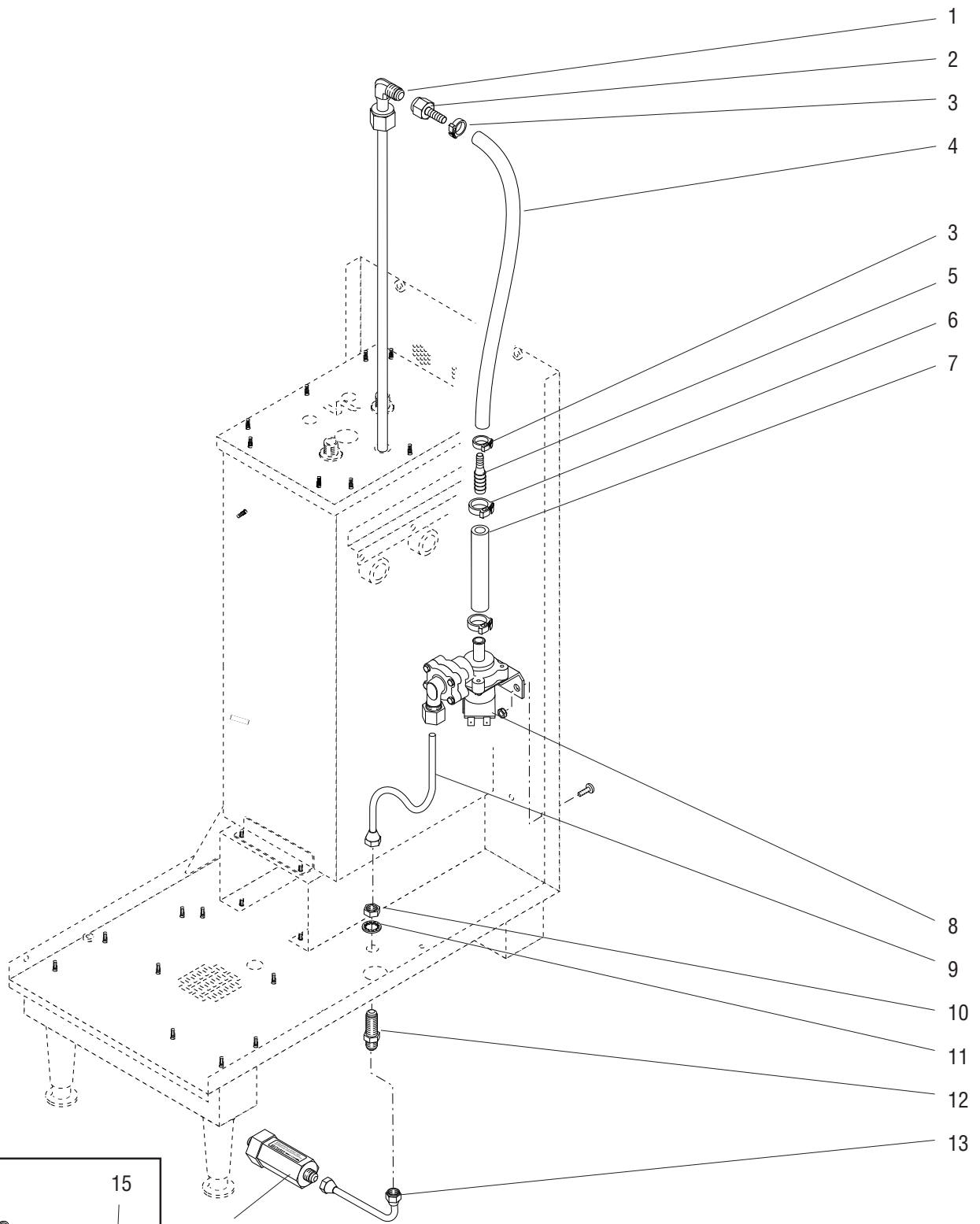
## MIXING/WHIPPER CHAMBER, DRIVE MOTOR AND FAN

ITEM	PART NO.	QTY.	DESCRIPTION
1	26926.0000	1	Plate, Fan Mounting
	01311.0001	4	Screw, Locking Truss Head #8 - 32 x .25"
2	27539.0000	1	Fan Assembly, 120V ac (Includes Leads & Terminals)
3	26244.1001	1	Tube, Exhaust
	01384.0002	4	Screw, Truss Head #8 - 32 x 2.0"
	00970.0000	4	Nut, Keps #8 - 32
4	25732.0000	1	Steam Collector
5	25733.0000	1	Mixing Chamber
6	25734.0000	1	Whipper Chamber
7	25736.0000	1	Dispense Tip
8	24733.0010	1	O-Ring
9	25902.0000	1	Frother
10	26359.0000	1	Receptacle, Whipper Chamber
	02328.0003	2	Screw, Pan Head #6 - 32 x .312"
11	26356.0000	1	Seal, Shaft
12	26355.0000	1	Washer, Teflon
13	24331.0000	1	O-Ring
14	26393.1000	1	Motor, Whipper (Includes item 15)
	02324.0000	2	Nut, Acorn - High Crown #8 - 32
15	34179.0000	1	Plate (Includes item 16)
16	32306.0000	2	Spacer



## TANK, HEATER AND OVERFLOW PROTECTION

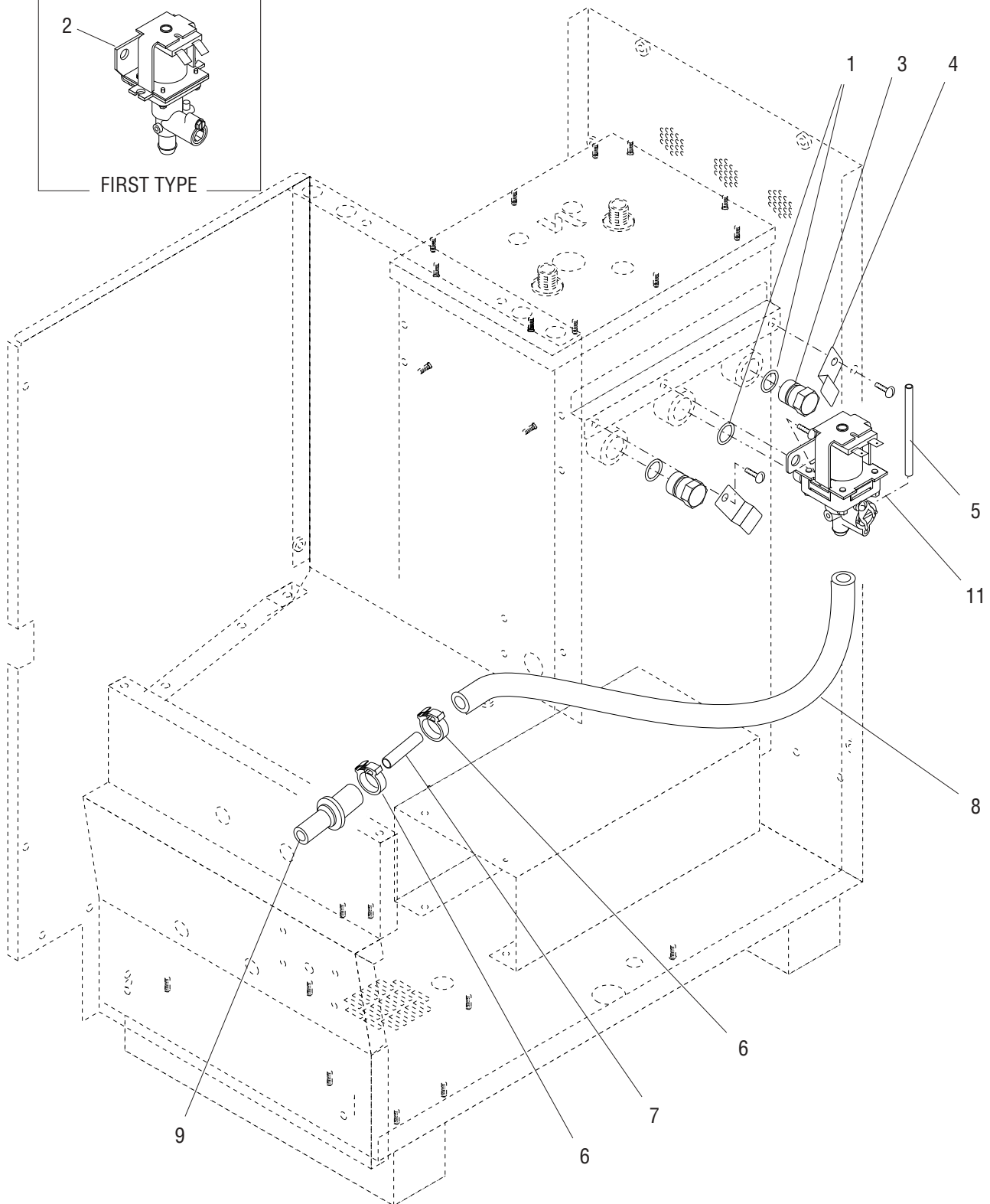
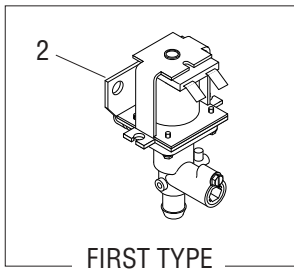
ITEM	PART NO.	QTY.	DESCRIPTION	
1	23199.0002	1	Lid, Tank	
	00908.0000	10	Nut, Hex #8 - 32	
2	22978.0000	1	Gasket, Tank Lid	
3	00943.0000	2	Gasket, Tank Heater	
4	20201.4151	1	Tank Heater Kit, 1700W 120V	Includes item 3
	20201.4150	1	Tank Heater Kit, 1800W 120V	
	20201.0750	1	Tank Heater Kit, 3500W 240V	
5	24547.0001	1	Tank	
	00970.0000	2	Nut, Keps #8 - 32	
	02332.0002	2	Screw, Truss Head #8 - 32 x .375" BLK	
6	26636.0000	1	Bracket, Tank Mounting	
	00970.0000	2	Nut, Keps #8 - 32	
7	00942.0000	2	Nut, Hex .50" - 20	
8	02536.0000	2	Grommet .375" I.D.	
9	26665.1000	1	Probe Kit (Includes items 10, 11 & 12)	
10	00908.0000	1	Nut, Hex #8 - 32	
11	20203.0100	1	Lockwasher, Internal Tooth #8	
12	01501.0000	1	Washer, Flat .16" I.D. x .375" O.D.	
13	26503.0000	1	Tube Assy, Overflow (Includes item 14)	
14	00929.0001	1	Nut/Sleeve, Compression .375" Tube	
15	29329.1000	1	Thermostat, Limit	
16	03803.0000	1	Switch Assy, Liquid Level (Includes items 17, 18 & 19)	
	00946.0000	1	Nut, Hex .125" FPT	
17	03807.0000	1	Clip, Spring	
18	-----	3	Washer, Adjusting (DO NOT USE IN THIS APPLICATION)	
19	03633.0000	2	Gasket, Float Switch (Only 1 used in this application)	
20	12552.0000	1	Overflow Cup	
	00908.0000	2	Nut, Hex #8 - 32	
21	12422.0000	2	Clamp, Hose .47"/.54" I.D.	
22	-----	1	Tube, Silicone .312" I.D. x 17.00" (Order item 25)	
23	26494.0000	1	Tube, 45° .375" O.D.	
24	01570.0000	2	Wire Nut, 2 - 24 AWG	Not illustrated
25	03236.1001	-	Tube, Silicone .312" I.D. x 36.00"	
	03236.1002	-	Tube, Silicone .312" I.D. x 120.00"	
	03236.1003	-	Tube, Silicone .312" I.D. x 60.00"	





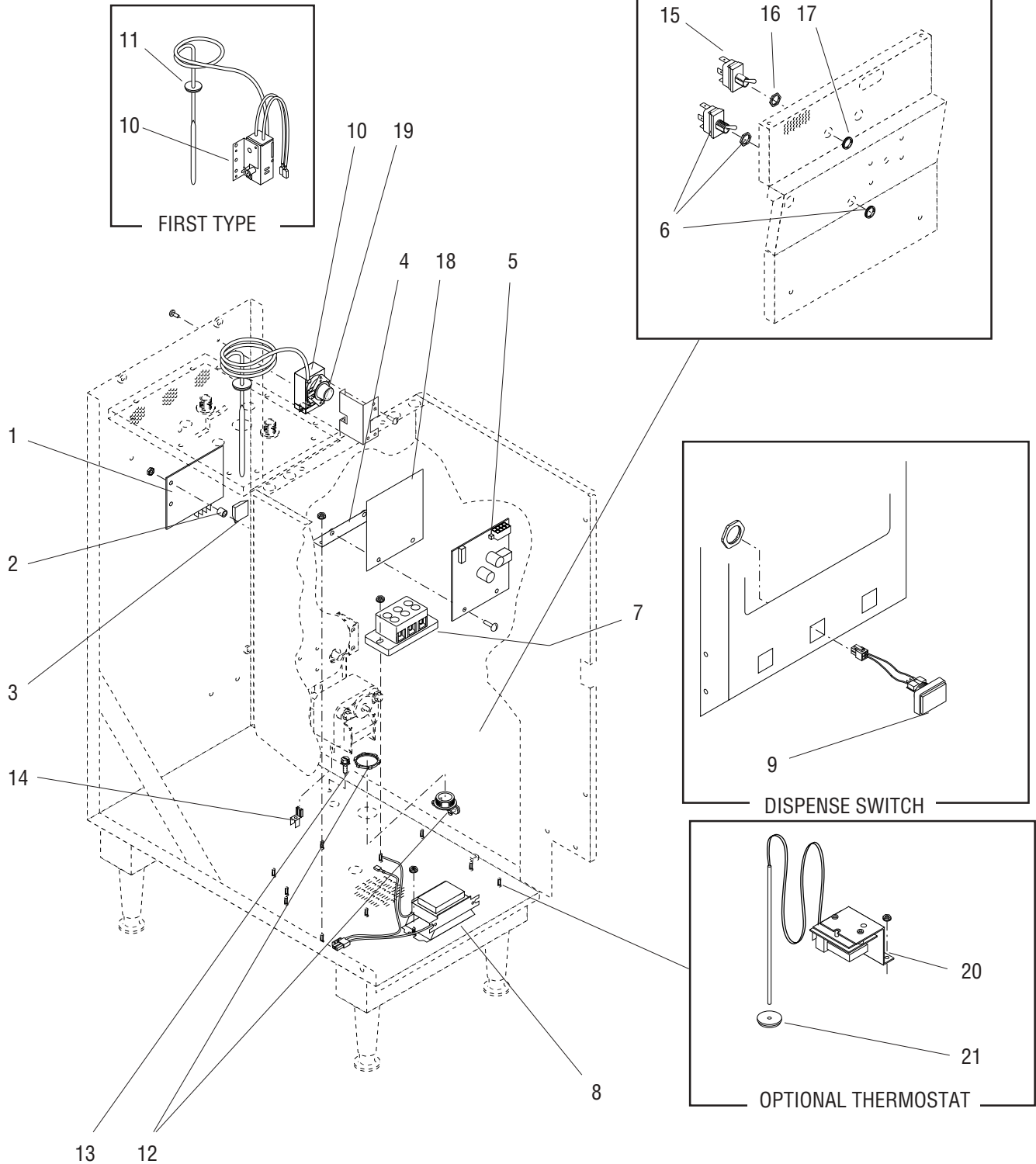
## STRAINER, SOLENOID, FILL VALVE AND LINES

ITEM	PART NO.	QTY.	DESCRIPTION
1	20202.0100	1	Tube, Tank Fill
2	00425.0000	1	Fitting .25" Flare Nut x .25" Barb
3	12422.0000	2	Clamp, Hose .47"/.54" I.D.
4	-----	1	Tube, Silicone .25" I.D. x .50" O.D. x 13.0" (Order item 18)
5	26443.0000	1	Reducer Barb .375" x .25"
6	12422.0001	2	Clamp, Hose .59"/.66" I.D.
7	-----	1	Tube, Silicone .375" I.D. x .625" O.D. x 6.0" (Order item 19)
8	26135.0001	1	Valve, Solenoid 120V (Serviced only as a unit)
	02331.0001	2	Screw, Truss Head #10 - 32
	00971.0000	2	Nut, Keps #10 - 32
9	26661.0000	1	Tube Assy, Water Inlet
10	00463.0000	1	Nut, Hex .438" - 20
11	01532.0000	1	Lockwasher, Internal Tooth .438"
12	00459.0000	1	Fitting, Bulkhead
13	21814.0016	1	Tube Assy
14	23820.1000	1	Water Strainer Assy (Includes item 15 thru 17)
15	-----	1	Body (Not available order item14)
16	23721.0000	1	Screen
17	22249.0000	1	End Cap
18	11707.1000	-	Tube, Silicone .25" I.D. x .50" O.D. x 12.0"
	11707.1001	-	Tube, Silicone .25" I.D. x .50" O.D. x 36.0"
	11707.1002	-	Tube, Silicone .25" I.D. x .50" O.D. x 120.0"
19	20976.1000	-	Tube, Silicone .375" I.D. x .625" O.D. x 12.0"
	20976.1001	-	Tube, Silicone .375" I.D. x .625" O.D. x 36.0"
	20976.1002	-	Tube, Silicone .375" I.D. x .625" O.D. x 120.0"



## DISPENSE VALVE AND LINES

ITEM	PART NO.	QTY.	DESCRIPTION
1	24733.0011	3	O-Ring
2	----- 02331.0000	1 1	Valve, Liquid Dispense (First Type)(Not available. Order tem 11) Screw, Truss Head #10 - 32 x .375"
3	26369.0000	2	Plug, O-Ring
4	26395.0000 02331.0000	2 2	Retainer, Plug Screw, Truss Head #10 - 32 x .375"
5	27707.0000	1	Tube, Vent .25" O.D. x 3.0"
6	12422.0001	2	Clamp, Hose .59"/.66" I.D.
7	21801.0002	1	Tube .375" O.D. x 1.50"
8	-----	-	Tube, Silicone .375" I.D. x .625" O.D. x 15.40" (Order item 10)
9	25803.0000	1	Water Inlet, Mixing Chamber
10	20976.1001 20976.1002	- -	Tube, Silicone .375" I.D. x .625" O.D. x 36.0" Tube, Silicone .375" I.D. x .625" O.D. x 120.0"
11	26116.1002	1	Kit, Dispennse Valve Replacement
12	28187.0000	1	Kit, Diaphragm Replacement (Includes First & Second Type Diaphragm)

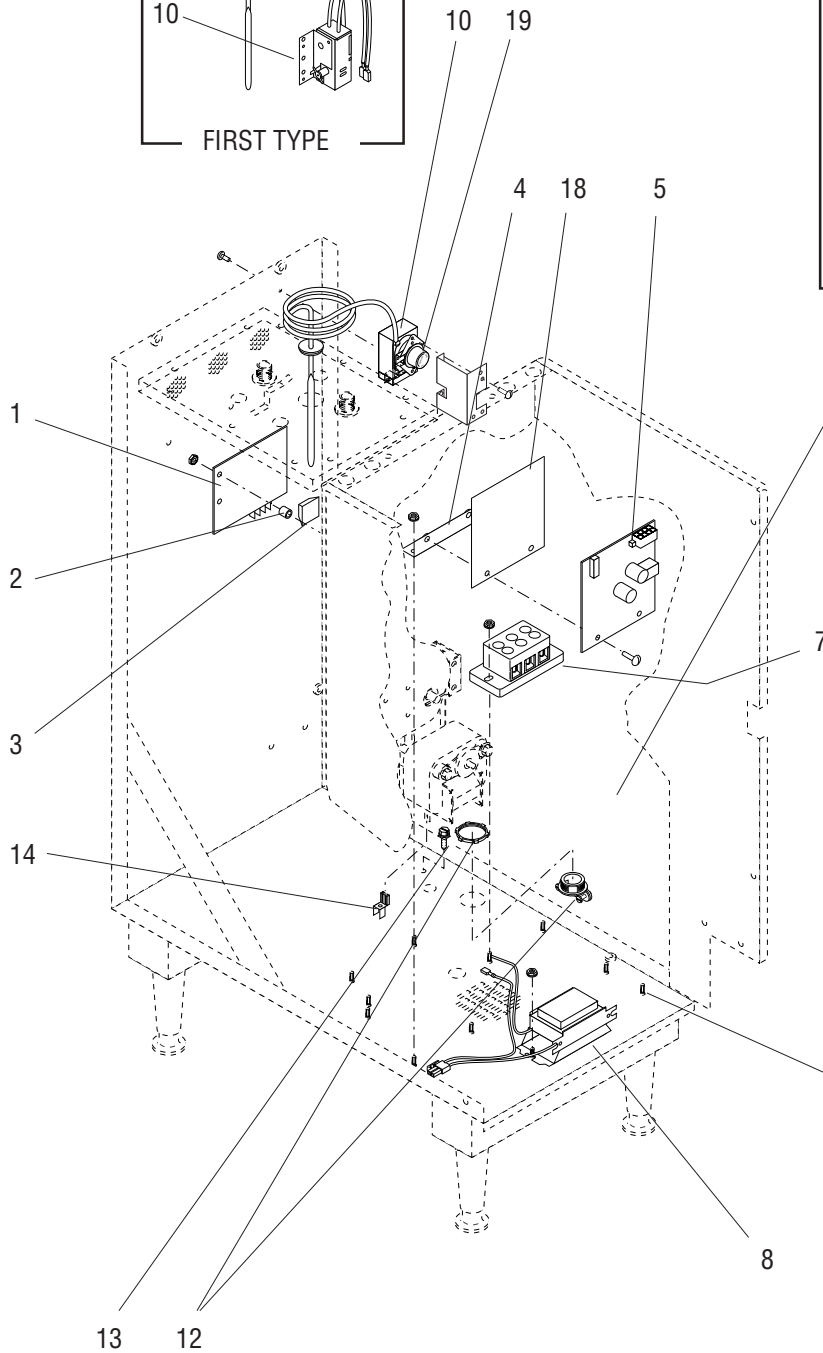
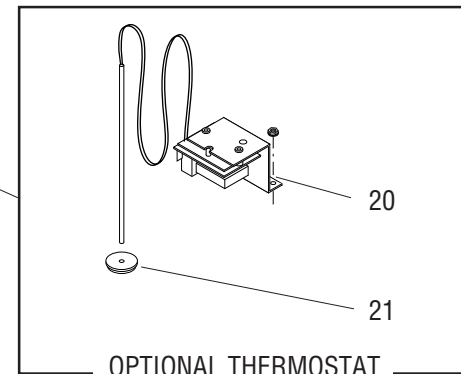
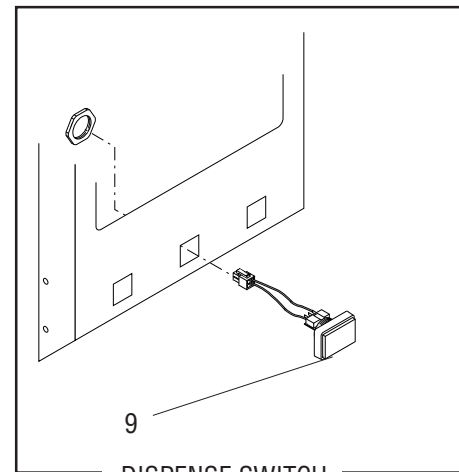
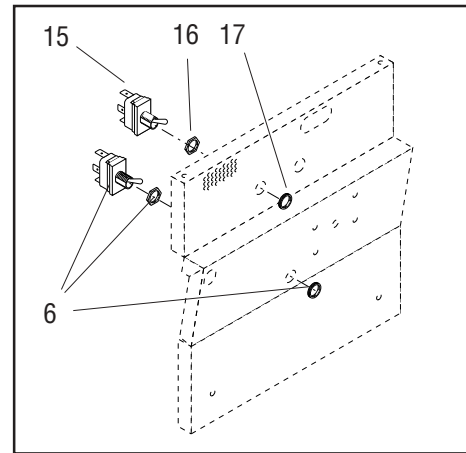
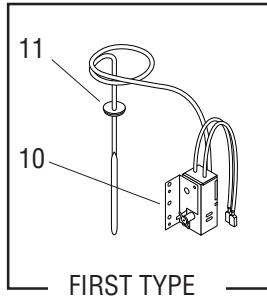


## ELECTRICAL CONTROLS

ITEM	PART NO.	QTY.	DESCRIPTION
1	07074.1000	1	Control Board, Level - 120V 5 SEC
	00970.0000	2	Nut, Keps #8 - 32
2	00450.0000	2	Spacer .219" I.D. x .34" LG
3	02547.0000	1	Foot, Rubber
4	26663.0000	1	Bracket, Hopper Delay Mounting
	00970.0000	2	Nut, Keps #8 - 32
5	27559.0000	1	Circuit Board, Hopper Delay
	01311.0000	2	Screw, Truss Head #8 - 32 x .25"
6	05761.0000	1	Switch, Toggle ON/ON SPDT - Rinse/Run (Includes mounting nuts)
7	07038.0000	1	Terminal Block, 3 Pole - RED/WHT/BLK
	01106.0000	1	Terminal Block, 2 Pole - WHT/BLK
	00970.0000	2	Nut, Keps #8 - 32
8	27553.0000	1	Ballast, 120V-60HZ W/Terminals
	00970.0000	2	Nut, Keps #8 - 32
9	26559.0001	1	Switch Assembly W/Terminals, Illuminated (Includes mounting nut) (First Type)
	28044.0000	1	Switch Assembly W/Terminals (Includes mounting nut)(Second Type)
10	28239.0000	1	Thermostat Kit, Mechanical 120V (Includes items 19 & 27)
	01311.0000	1	Screw, Truss Head #8-32 x .25"
11	07073.0000	1	Grommet
12	01685.0000	1	Connector, Cord
13	01309.0000	1	Ground Screw W/Terminal Washer #10 - 32 x .50"
14	04502.0000	1	Connector, Terminal
15	23522.0000	1	Switch, ON/OFF Toggle - Heater (Includes item 17, also order item 18)
16	23696.0000	1	Nut, Hex .469"-32
17	23697.0000	1	Nut, Plastic Face .469"-32
18	27477.0000	1	Shield, Circuit Board
19	00720.0000	1	Knob, Thermostat
20	26527.1002	1	Thermostat/Bracket Assembly, Electronic 120V (Optional)
	00970.0000	2	Nut, Keps #8-32

(Continued)

(Continued)



## ELECTRICAL CONTROLS

ITEM	PART NO.	QTY.	DESCRIPTION	
21	12570.0000	1	Grommet (For electronic thermostat)	
22	01713.1000	1	Cord Assembly, Power (120V 15Amp Models only)	<div style="display: flex; align-items: center; justify-content: center;"> <div style="border-left: 1px solid black; border-right: 1px solid black; border-top: 1px solid black; border-bottom: 1px solid black; width: 20px; height: 200px; margin-right: 5px;"></div> <div style="text-align: left;"> <p>Not Illustrated</p> </div> </div>
	23799.0001	1	Cord Assembly, Power (120V 20Amp Models only)	
23	27583.0000	1	Wiring Harness, Control - 120V	
	27583.0001	1	Wiring Harness, Control - 120/240V	
	27583.0002	1	Wiring Harness, Control - 120V	
	27583.0003	1	Wiring Harness, Control - 120/240V	
24	-----	1	Wiring Harness, Door Interconnect	
25	-----	1	Wiring Harness, Door	
26	26666.0000	1	Wiring Harness, Hopper Delay	
27	25347.0000	1	Wiring Harness, Thermostat	

Models with Electronic Thermostat

See Door, Lamps and Panels

Not Illustrated

NUMERICAL INDEX

PART NO.	PAGE NO.	PART NO.	PAGE NO.	PART NO.	PAGE NO.	PART NO.	PAGE NO.
00425.0000	17	11707.1000	17	25891.0000	11	26926.0000	13
00450.0000	21	11707.1001	17	25892.0000	11	26940.0001	11
00459.0000	17	11707.1002	17	25894.1000	11	27016.1000	5
00463.0000	17	12368.0002	5	25895.0000	11	27017.0000	5
00619.0005	7	12422.0000	15,17	25899.0000	9	27017.0001	5
00619.0011	7	12422.0001	17,19	25901.0000	5	27126.1000	9
00656.0000	5	12552.0000	15	25901.0002	5	27295.0000	9
00720.0000	21	12570.0000	23	25902.0000	13	27296.0000	9
00831.0000	5	13255.0003	7	25903.0000	11	27298.0000	7
00851.0000	9	20201.0750	15	25904.0000	11	27305.0000	5
00908.0000	15	20201.4150	15	26112.0000	11	27305.0002	5
00929.0001	15	20201.4151	15	26116.1002	19	27476.0000	5
00942.0000	15	20202.0100	17	26135.0001	17	27476.0002	5
00943.0000	15	20203.0100	15	26233.0001	5	27477.0000	21
00946.0000	15	20621.0000	7	26238.0002	11	27520.1001	9
00970.0000	9,13,15,21	20960.0000	11	26239.0000	9	27539.0000	13
00971.0000	17	20976.1000	17	26244.1001	13	27553.0000	21
00991.0002	11	20976.1001	17,19	26247.0000	11	27559.0000	21
01106.0000	21	20976.1002	17,19	26355.0000	13	27583.0000	23
01309.0000	21	21355.0000	11	26356.0000	13	27583.0001	23
01311.0000	5,9,11,21	21357.0000	11	26359.0000	13	27583.0002	23
01311.0001	5,11,13	21358.0000	11	26369.0000	19	27583.0003	23
01311.0003	5	21746.0000	11	26393.1000	13	27584.0000	9
01384.0002	13	21747.0000	11	26395.0000	19	27585.0001	9
01501.0000	15	21801.0002	19	26401.0000	11	27586.0000	9
01522.0000	11	21814.0016	17	26443.0000	17	27587.0000	9
01532.0000	17	22249.0000	17	26444.0000	9	27593.0000	5
01570.0000	15	22978.0000	15	26494.0000	15	27597.0000	9
01685.0000	21	23164.0001	7	26503.0000	15	27602.1000	9
01713.1000	23	23164.0002	7	26504.0000	5	27604.0000	5
02308.0000	5	23199.0002	15	26507.0001	9	27604.0001	5
02324.0000	13	23522.0000	21	26520.0000	9	27619.0000	9
02328.0003	13	23696.0000	21	26520.0001	9	27620.0000	7
02330.0001	9	23697.0000	21	26523.0000	5	27673.0000	5
02331.0000	5,19	23721.0000	17	26524.0000	5	27674.0000	9
02331.0001	5,17	23799.0001	23	26525.0001	9	27674.0001	9
02332.0002	15	23820.1000	17	26527.1002	21	27675.0001	9
02361.0000	9	24331.0000	13	26528.0000	7	27707.0000	19
02536.0000	15	24547.0001	15	26537.0000	9	28044.0000	21
02547.0000	21	24733.0010	13	26537.0001	9	28187.0000	19
03236.1001	15	24733.0011	19	26537.0003	9	28239.0000	21
03236.1002	15	25347.0000	23	26559.0001	21	28267.0000	5
03236.1003	15	25414.0000	5	26576.0001	5	28669.0000	5
03633.0000	15	25414.0001	5	26636.0000	15	28701.0000	7
03803.0000	15	25732.0000	13	26661.0000	17	29329.1000	15
03807.0000	15	25733.0000	13	26663.0000	21	32306.0000	13
03996.0000	7	25734.0000	13	26665.1000	15	34179.0000	13
04502.0000	21	25736.0000	13	26666.0000	23		
05761.0000	21	25744.0000	11	26680.0000	11		
07038.0000	21	25794.0000	11	26754.0000	11		
07073.0000	21	25796.0000	5	26757.0000	5		
07074.1000	21	25796.0002	5	26886.1000	5		
11646.0000	9	25803.0000	19	26892.0000	9		