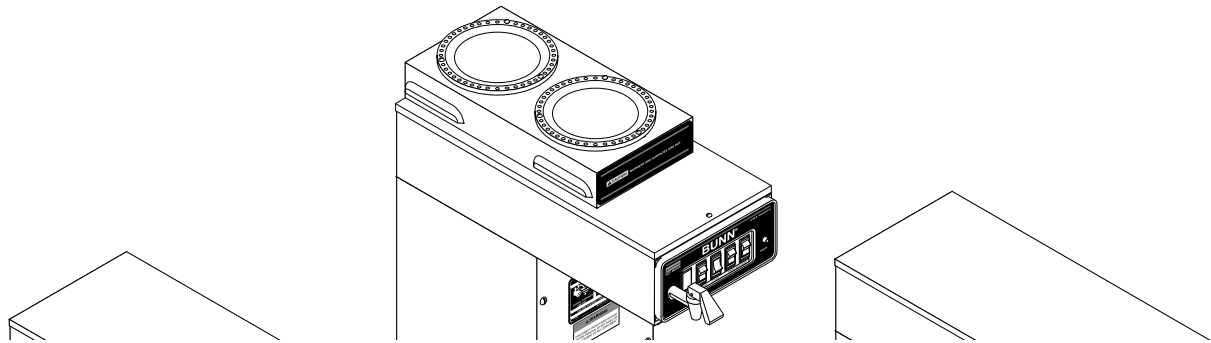


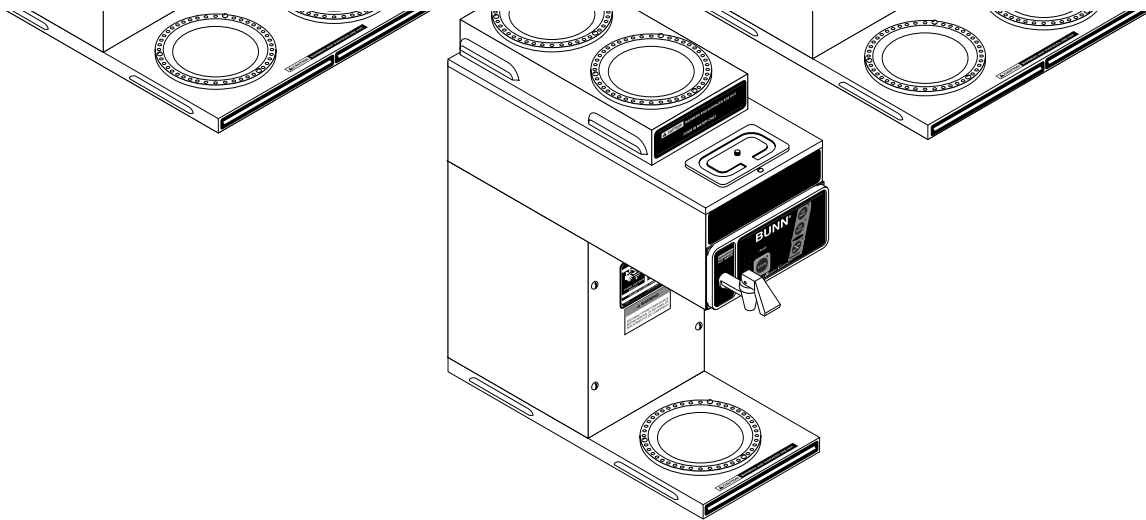
BUNN®

*CEZ, CEZF
CDBC, CDBC F
CDBCP, CDBC FP
S/N prior to CDBC020213*



DISCONTINUED VERSION

**The information in this manual
is no longer current.**



OPERATING & SERVICE MANUAL

BUNN-O-MATIC CORPORATION

POST OFFICE BOX 3227

SPRINGFIELD, ILLINOIS 62708-3227

PHONE: (217) 529-6601 FAX: (217) 529-6644