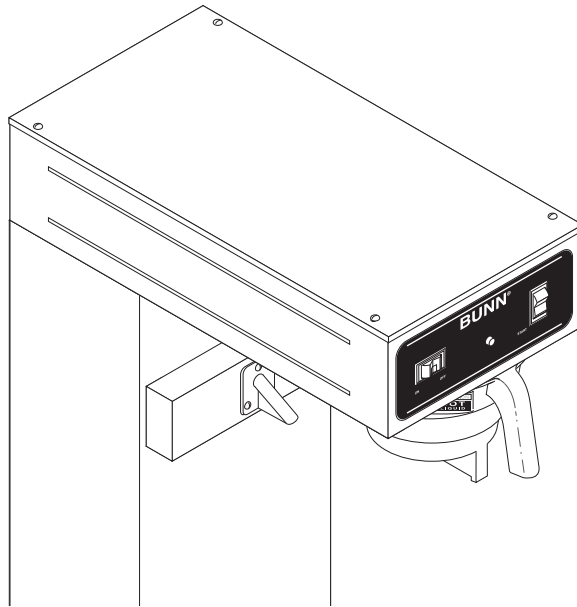
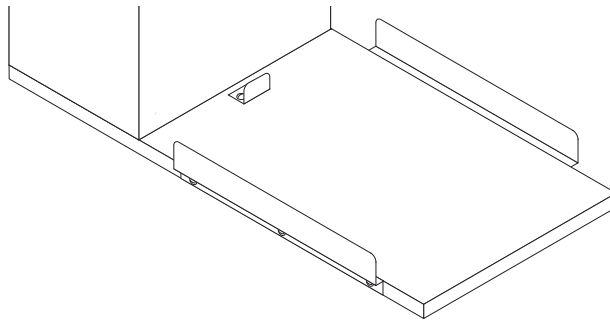


BUNN® *TU3Q-EZ*



DISCONTINUED VERSION
Parts listed in this catalog
may no longer be available.



ILLUSTRATED PARTS CATALOG

Designs, materials, weights, specifications, and dimensions for equipment or replacement parts are subject to change without notice.

BUNN-O-MATIC CORPORATION

POST OFFICE BOX 3227

SPRINGFIELD, ILLINOIS 62708-3227

PHONE: (217) 529-6601 FAX: (217) 529-6644

WARRANTY

Bunn-O-Matic Corp. ("Bunn") warrants the equipment manufactured by it to be commercially free from defects in material and workmanship existing at the time of manufacture and appearing within one year from the date of installation. In addition:

1.) Bunn warrants electronic circuit and/or control boards to be commercially free from defects in material and workmanship for two years from the date of installation.

2.) Bunn warrants the compressor on refrigeration equipment to be commercially free from defects in material and workmanship for two years from the date of installation.

3.) Bunn warrants that the grinding burrs on coffee grinding equipment will grind coffee to meet original factory screen sieve analysis for three years from date of installation or for 30,000 pounds of coffee, whichever comes first.

This warranty does not apply to any equipment, component or part that was not manufactured by Bunn or that, in Bunn's judgement, has been affected by misuse, neglect, alteration, improper installation or operation, improper maintenance or repair, damage or casualty.

THE FOREGOING WARRANTY IS EXCLUSIVE AND IS IN LIEU OF ANY OTHER WARRANTY, WRITTEN OR ORAL, EXPRESS OR IMPLIED, INCLUDING, BUT NOT LIMITED TO, ANY IMPLIED WARRANTY OF EITHER MERCHANTABILITY OR FITNESS FOR A PARTICULAR PURPOSE. The agents, dealers or employees of Bunn are not authorized to make modifications to this warranty or to make additional warranties that are binding on Bunn. Accordingly, statements by such individuals, whether oral or written, do not constitute warranties and should not be relied upon.

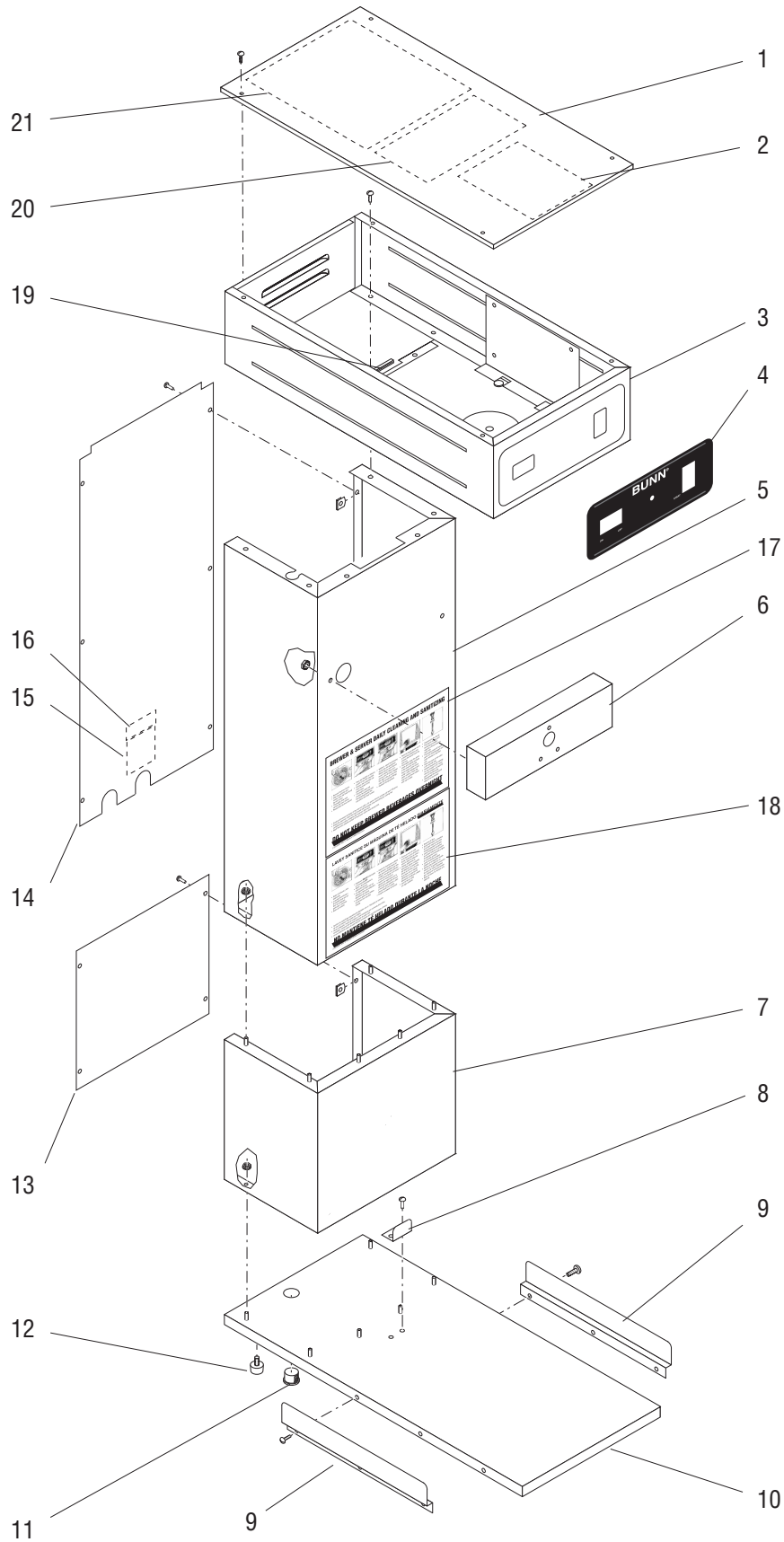
The Buyer shall give Bunn prompt notice of any claim to be made under this warranty by telephone at (217) 529-6601 or by writing to Post Office Box 3227, Springfield, Illinois, 62708-3227. If requested by Bunn, the Buyer shall ship the defective equipment prepaid to an authorized Bunn service location. If Bunn determines, in its sole discretion, that the equipment does not conform to the warranty, Bunn shall repair the equipment with no charge for parts during the warranty period and no charge for labor by a Bunn Authorized Service Representative during the warranty period. If Bunn determines that repair is not feasible, Bunn shall, at its sole option, replace the equipment or refund the purchase price for the equipment.

THE BUYER'S REMEDY AGAINST BUNN FOR THE BREACH OF ANY OBLIGATION ARISING OUT OF THE SALE OF THIS EQUIPMENT, WHETHER DERIVED FROM WARRANTY OR OTHERWISE, SHALL BE LIMITED, AS SPECIFIED HEREIN, TO REPAIR OR, AT BUNN'S SOLE OPTION, REPLACEMENT OR REFUND.

In no event shall Bunn be liable for any other damage or loss, including, but not limited to, lost profits, lost sales, loss of use of equipment, claims of Buyer's customers, cost of capital, cost of down time, cost of substitute equipment, facilities or services, or any other special, incidental or consequential damages.

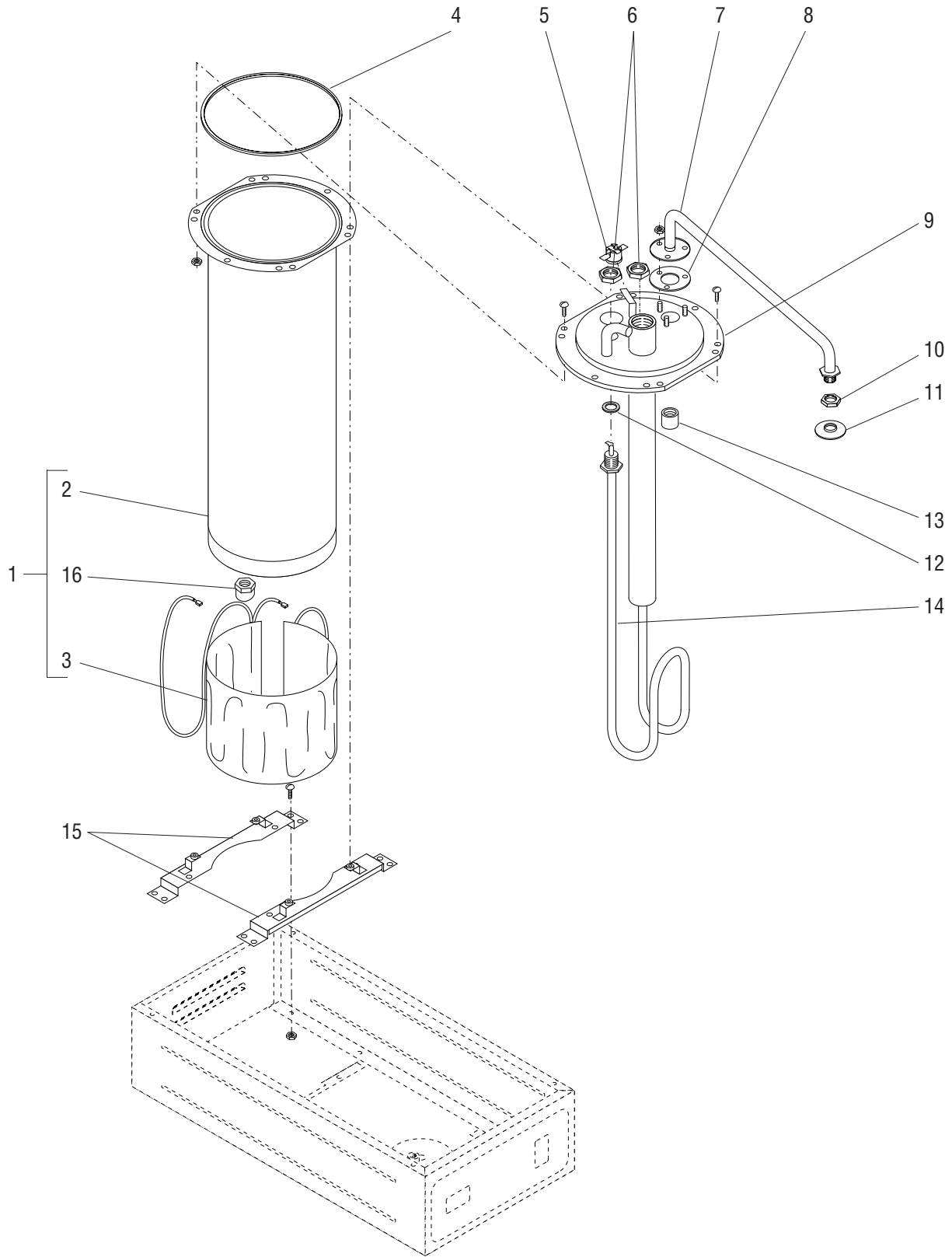
TABLE OF CONTENTS

Electrical and Operating Controls	12
Funnel Assembly	14
Numerical Index	16
Strainer/Flow Control, Solenoids and Lines	8
Tank Assembly	6
Top Cover, Hood, Trunk, Base and Panels	4



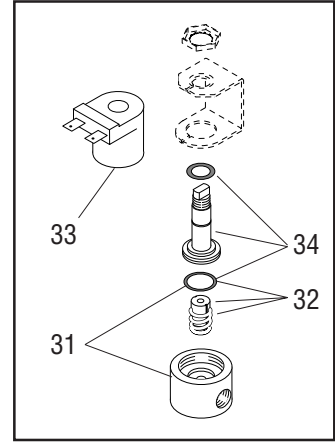
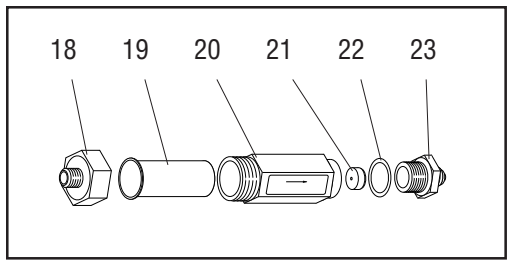
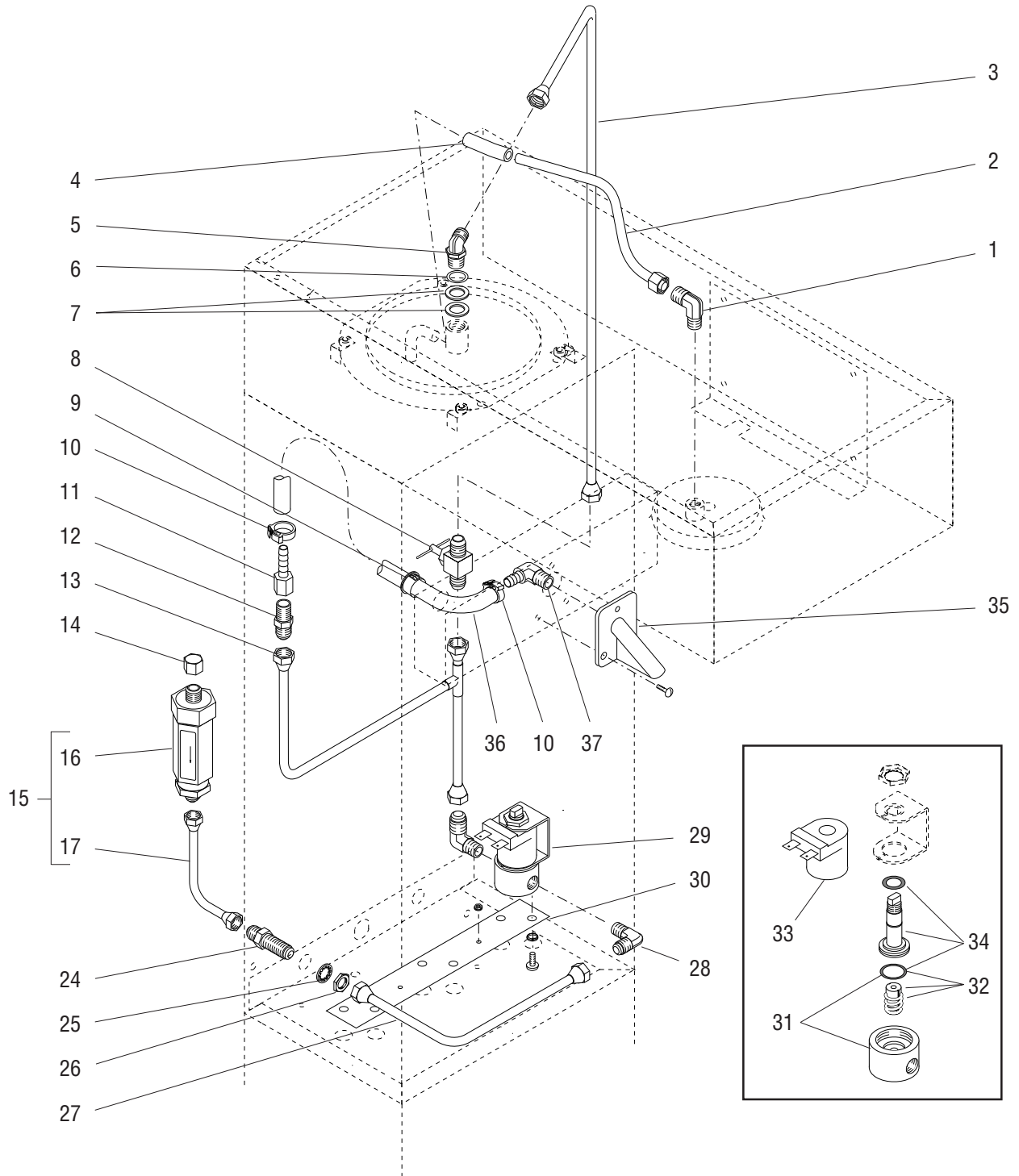
TOP COVER, HOOD, TRUNK, BASE AND PANELS

ITEM	PART NO.	QTY.	DESCRIPTION
1	03423.1003 01382.0000	1 4	Cover W/Decals, Top (Includes item 2, 20 & 21) Screw, Truss Head #6-32 x .375"
2	29332.0000	1	Schematic, Electrical 120V
3	03381.0002 02308.0000	1 6	Hood (Also order item 4) Screw, Pan Head - Serrated #8-32 x .375"
4	03363.0005	1	Decal, Hood-Switch
5	03762.0001 00970.0000	1 6	Trunk Assy (Also order items 17 & 18) Nut, Hex Keps #8-32
6	03773.0000 00970.0000	1 2	Housing, Nozzle Mounting Nut, Hex Keps #8-32
7	03765.0003 00970.0000	1 6	Housing Assy, Trunk Extension 8.125" HT (See item 24) Nut, Hex Keps #8-32
8	03770.0000 01315.0000	1 2	Bracket, Stop Screw, Truss Head #8-32 x .375"
9	03772.0000 01317.0003	2 6	Guide, Base Screw, Pan Head - Locking #8-32 x .375"
10	03767.0000	1	Base
11	00668.0000	1	Plug, Hole .75" Dia
12	25137.0001	4	Foot, .75" O.D. x .44" HT (See item 22)
13	03771.0003 01315.0000 00917.0000	1 4 4	Cover, Trunk Extension - Rear 8.125" HT (See item 24) Screw, Truss Head #8-32 x .375" Fastener, J-Type #8-32
14	25615.0000 01315.0000 00917.0000	1 6 6	Panel W/Decals, Trunk (Includes items 15 & 16) Screw, Truss Head #8-32 x .375" Fastener, J-Type #8-32
15	00831.0000	1	Decal, Electrical Warning
16	00656.0000	1	Decal, Comply With Plumbing Code
17	27294.0000	1	Decal, Service, Cleaning & Sanitizing
18	27294.0002	1	Decal, Service, Cleaning & Sanitizing (Spanish)
19	-----	1	Edging, 2" LG (Order item 23)
20	29167.0000	1	Decal, Brew Temperature Lockout
21	29206.0001	1	Decal, Diagnostic
22	24600.0000	-	Kit, Foot (Includes four feet)
23	02712.1000	-	Edging, 18" LG
24	03760.0003	-	Trunk Extension Kit, 8.125" HT (Includes items 7, 13 & Hardware)



TANK ASSEMBLY

ITEM	PART NO.	QTY.	DESCRIPTION
-	05696.0000	1	Tank Assembly, 1680W 120V (Includes items 1 thru 9, 12, 13, 14 & 16)
	01315.0000	4	Screw, Truss Head #8-32 x .375"
1	03045.0000	1	Tank W/Blanket Warmer 120V (Includes items 2, 3 & 16)
2	03068.0000	1	Tank
3	03468.0000	1	Blanket Warmer, 55W 120V
4	04844.0000	1	Gasket, Tank Lid
5	29329.1000	1	Thermostat, Limit 30 amp
6	00942.0000	2	Nut, Hex .50"-20
7	05557.0000	1	Sprayhead Tube Kit (Includes 3 mounting nuts below, items 8 & 13)
	00908.0000	3	Nut, Hex #8-32
8	05515.0000	1	Gasket, Sprayhead Tube
9	03125.0000	1	Lid Assembly, Tank
	02337.0002	6	Screw, Hex Head Thread Forming #10 x .50"
10	01075.0000	1	Nut, Hex .438"-20
11	01082.0003	1	Sprayhead, 7 Hole
12	00943.0000	2	Gasket, Tank Heater
13	05518.0000	1	Syphon Hub
14	03070.1000	1	Tank Heater, 1680W 120V (Includes item 12)
15	03387.0000	2	Bracket, Tank Mounting
	02308.0000	4	Screw, Pan Head - Serrated #8-32 x .375"
16	00935.0001	1	Cap, .25" Flare



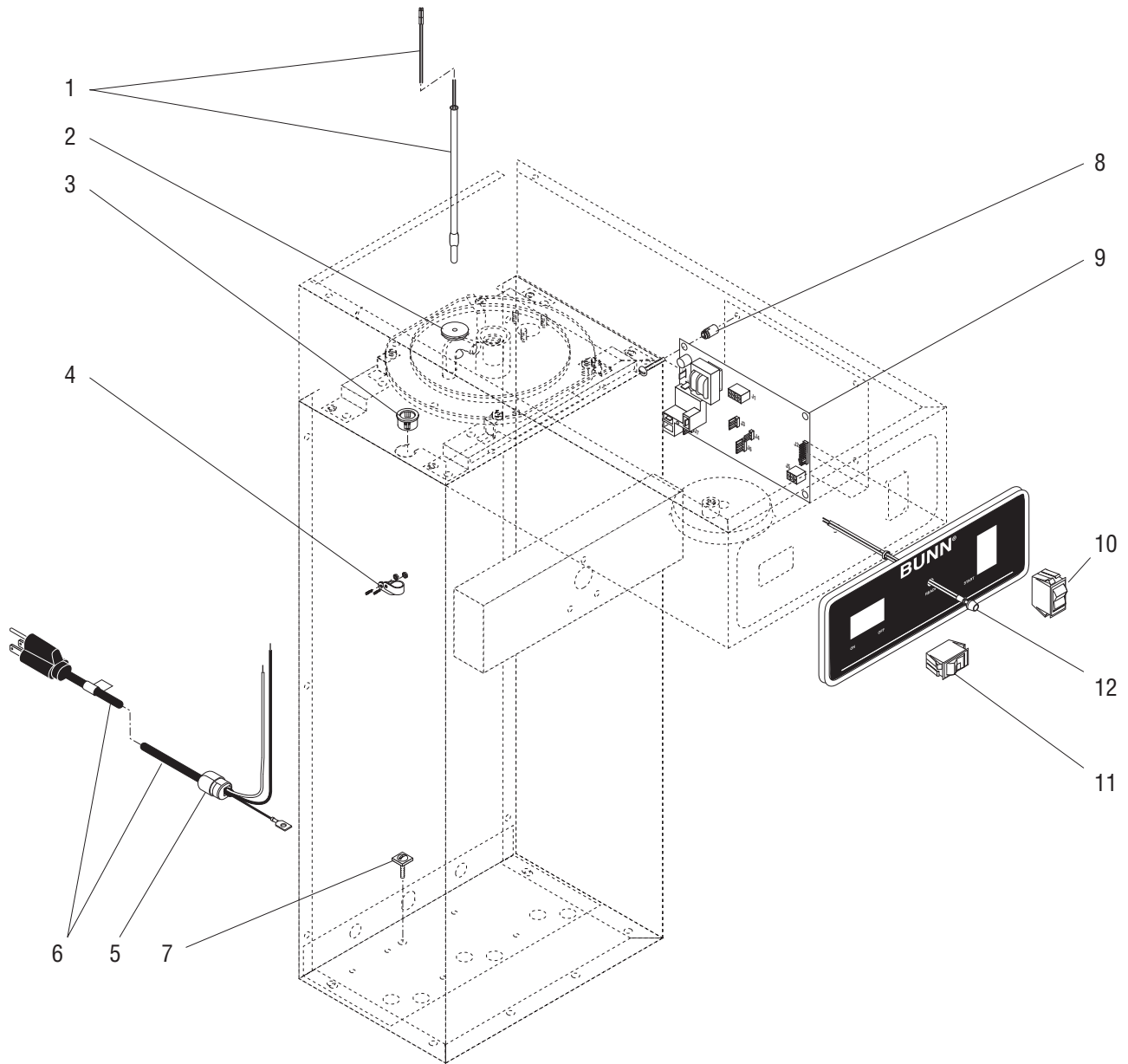
STRAINER/FLOW CONTROL, SOLENOIDS AND LINES

ITEM	PART NO.	QTY.	DESCRIPTION
1	21695.0001	1	Elbow, .375" Compression x .125" MPT
2	13003.0000	1	Tube Assembly
3	21812.0014	1	Tube Assembly
4	-----	1	Tube, Silicone .312" ID x 2.0" (Order item 38)
5	00460.0000	1	Fitting, Tank Inlet
6	01540.0000	1	Washer
7	01201.0000	2	Gasket, Tank Inlet
8	00484.0001	1	Needle Valve
9	01592.0000	1	Bushing, Snap 1.0" Dia
10	12422.0000	2	Clamp
11	00469.0001	1	Connector, .25" FPT x .25" Barb
12	00402.0001	1	Connector, .25" Flare x .25" MPT
13	29644.0000	1	Tube Assembly
14	00935.0000	1	Cap, Brass .25" Flare (For Shipping Purposes Only)
15	24356.0750	1	Strainer/Flow Control w/Tubing .750 GPM (Includes items 16 and 17)
16	22300.0750	1	Strainer/Flow Control .750 GPM (Includes items 18 thru 23)
17	00310.0000	1	Tube Assembly
18	22249.0000	1	Fitting Flow Control Inlet
19	23721.0000	1	Screen
20	-----	1	Body (Not Serviced. Order item 16)
21	20526.1750	1	Flow Washer/Gasket Kit .750 GPM (Includes item 22)
22	01155.0000	1	Gasket
23	01154.0000	1	Fitting Flow Control Outlet
24	00459.0000	1	Fitting, Bulkhead .25" Flare
25	01532.0000	1	Lockwasher, Int.-toothed .375"
26	00463.0000	1	Nut, Hex .375"-20
27	21814.0018	1	Tube Assembly
28	00400.0001	2	Elbow, .25" Flare x .125" MPT
29	01085.0002	1	Solenoid Valve (Includes items 31-33)
	01327.0000	2	Screw, Pan Head #10-32 x .375"
	01502.0000	2	Lockwasher #10

(Continued)

STRAINER/FLOW CONTROL, SOLENOIDS AND LINES

ITEM	PART NO.	QTY.	DESCRIPTION
30	03150.0000	1	Plate, Solenoid Mounting
	00970.0000	2	Nut, KEPS #8-32
31	28479.0000	1	Base Kit (Includes O-ring)
32	01111.0002	1	Valve Repair Kit (Includes Plunger, Spring and O-ring)
33	28480.0000	1	Valve Coil
34	28481.0000	1	Guide Kit (Includes Washer and O-ring)
35	03717.0000	1	Nozzle, Dilution
	01382.0000	3	Screw, Truss Head Serrated #6-32 x .375"
36	11707.1000	1	Tube, Silicone .25" OD x 12.0"
37	00464.0001	1	Elbow, .25" Barb x .25" MPT
38	03236.1000	-	Tube, Silicone .312" ID x 12.0" (Use as Required)

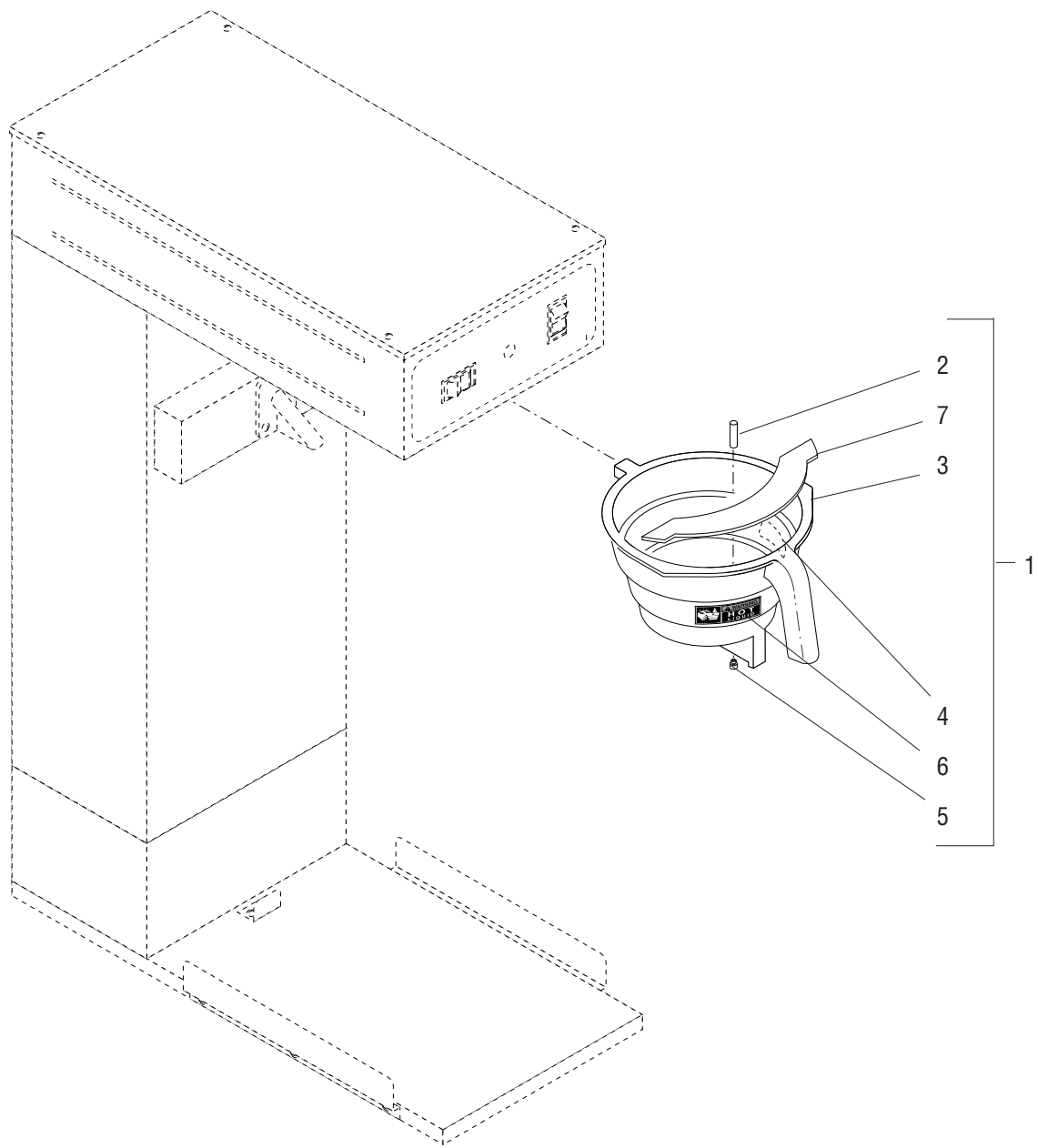


ELECTRICAL AND OPERATING CONTROLS

ITEM	PART NO.	QTY.	DESCRIPTION
1	29327.0000	1	Kit, Temperature Probe
2	12570.0000	1	Grommet
3	00614.0000	1	Bushing
4	00603.0000	2	Clamp, Nylon
	00970.0000	2	Nut, KEPS #8-32
5	00707.0000	1	Bushing, Strain-relief
6	01637.0000	1	Power Cord
7	01309.0000	1	Screw, Pan Head w/Terminal Washer #10-32 x .50"
8	29081.0001	4	Spacer
9	28742.0000	1	PC Board
	01388.0000	4	Screw, Round Head, Slotted #6-32 x .75"
10	03358.0001	1	Switch, START
11	03357.0003	1	Switch, ON/OFF
12	12517.0001	1	LED, Green

Items 13 thru 19 are Not Illustrated

13	01668.0000	2	Wire Nut, Orange, Warmer Blanket Wires to Main Harness
14	29326.0000	1	Harness, Main Wiring
15	21000.0074	1	Lead, BLK 7.5", Warmer Blanket to Main Harness
16	21001.0098	1	Lead, WHI 7.5", Warmer Blanket to Main Harness
17	29659.0000	1	Lead, BLK 6.0", Tank Heater to Limit Thermostat
18	00617.0000	3	Cable Tie, Nylon
19	-----	2	Cable Splice (Not Serviced)



FUNNEL ASSEMBLY

ITEM	PART NO.	QTY.	DESCRIPTION
1	03021.0004	1	Funnel Assembly, Brew Tea - Smoke (Includes items 2 thru 7)
2	03284.0000	1	Adaptor W/Screen, Funnel (See item 8)
3	-----	1	Funnel, Brew Tea - Smoke (Not Available. Order item 1)
4	03408.0000	1	Decal, Caution - Remove Funnel
5	03407.0000	1	Funnel Tip, .082" Dia (See item 8)
6	03409.0000	1	Decal, Caution - Hot Liquid
7	32965.0000	1	Splashguard
8	01037.0002	-	Funnel Tip & Screen Kit (Includes items 2 & 5)

NUMERICAL INDEX

PART NO.	PAGE NO.	PART NO.	PAGE NO.	PART NO.	PAGE NO.	PART NO.	PAGE NO.
00310.0000	9	03357.0003	13	29332.0000	5		
00400.0001	9	03358.0001	13	29644.0000	9		
00402.0001	9	03363.0005	5	29659.0000	13		
00459.0000	9	03381.0002	5	32965.0000	15		
00460.0000	9	03387.0000	7				
00463.0000	9	03407.0000	15				
00464.0001	11	03408.0000	15				
00469.0001	9	03409.0000	15				
00484.0001	9	03423.1003	5				
00603.0000	13	03468.0000	7				
00614.0000	13	03717.0000	11				
00617.0000	13	03760.0003	5				
00656.0000	5	03762.0001	5				
00668.0000	5	03765.0003	5				
00707.0000	13	03767.0000	5				
00831.0000	5	03770.0000	5				
00908.0000	7	03771.0003	5				
00917.0000	5	03772.0000	5				
00935.0000	9	03773.0000	5				
00935.0001	7	04844.0000	7				
00942.0000	7	05515.0000	7				
00943.0000	7	05518.0000	7				
00970.0000	5,11,13	05557.0000	7				
01037.0002	15	05696.0000	7				
01075.0000	7	11707.1000	11				
01082.0003	7	12422.0000	9				
01085.0002	9	12517.0001	13				
01111.0002	11	12570.0000	13				
01154.0000	9	13003.0000	9				
01155.0000	9	20526.1750	9				
01201.0000	9	21000.0074	13				
01309.0000	13	21001.0098	13				
01315.0000	5,7	21695.0001	9				
01317.0003	5	21812.0014	9				
01327.0000	9	21814.0018	9				
01382.0000	5,11	22249.0000	9				
01388.0000	13	22300.0750	9				
01502.0000	9	23721.0000	9				
01532.0000	9	24356.0750	9				
01540.0000	9	24600.0000	5				
01592.0000	9	25137.0001	5				
01637.0000	13	25615.0000	5				
01668.0000	13	27294.0000	5				
02308.0000	5,7	27294.0002	5				
02337.0002	7	28479.0000	11				
02712.1000	5	28480.0000	11				
03021.0004	15	28481.0000	11				
03045.0000	7	28742.0000	13				
03068.0000	7	29081.0001	13				
03070.1000	7	29167.0000	5				
03125.0000	7	29206.0001	5				
03150.0000	11	29326.0000	13				
03236.1000	11	29327.0000	13				
03284.0000	15	29329.1000	7				