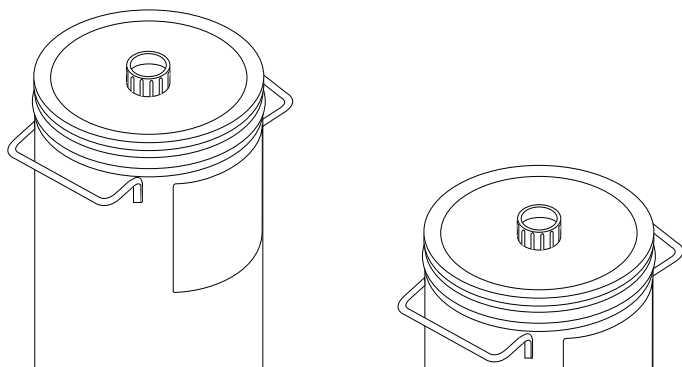


# BUNN®

## TDR-3

## TDR-5



### DISCONTINUED VERSION

The information in this manual  
is no longer current



## USE & CARE INFORMATION

### INTRODUCTION

These dispensers are designed to hold and serve either a three or five gallon batch of iced tea or iced coffee, depending on the model. When proper precautions are followed, tea/coffee may be brewed directly into the dispenser and then transported to a remote serving location. The dispenser must be placed on a sturdy counter or shelf.

**NOTE** - The TDR3 dispenser weighs approximately 40 pounds when full. The TDR5 weighs approximately 55 pounds when full. **You must be careful when lifting these dispensers.**

### REPLACEMENT PARTS

- |               |                               |                |  |
|---------------|-------------------------------|----------------|--|
| 1. 03043.0002 | Decal, Fresh Brewed Tea       | 8. 24733.0006  | O-Ring 70-EP-112 (2)                     |
| 2. 00674.0000 | Faucet Cleaning Brush         | 9. 03093.0002  | Faucet Wing Nut                          |
| 3. 29720.0000 | Lid, Tea Reservoir - TDR 3    | 10. 01221.0000 | C-Ring, Faucet Shank                     |
| 4. 00651.0000 | Decal, Bunn                   | 11. 26685.0000 | Faucet Assy (Includes items 12, 13 & 14) |
| 5. 27294.0000 | Decal, Cleaning               | 12. 26884.0000 | Handle                                   |
| 6. 32224.0000 | Nut, Faucet Shank - TDR       | 13. 00601.0000 | Faucet Spring                            |
| 7. 32223.0000 | Fitting, Faucet Shank - TDR 3 | 14. 00600.0000 | Faucet Seat Cup                          |

## BUNN-O-MATIC CORPORATION

POST OFFICE BOX 3227

SPRINGFIELD, ILLINOIS 62708-3227

PHONE: (217) 529-6601 FAX: (217) 529-6644