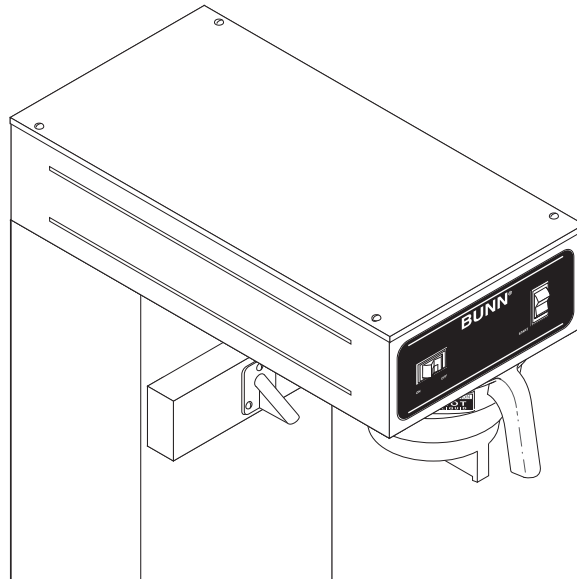
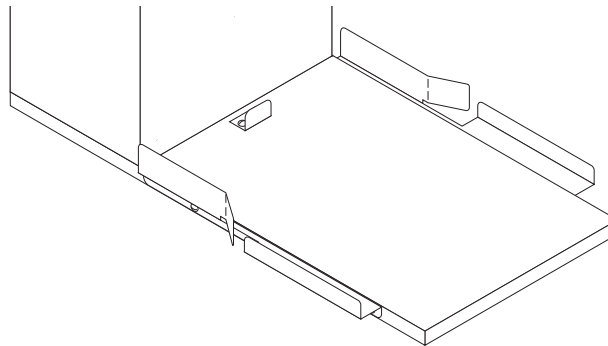


BUNN®

TU3Q



DISCONTINUED VERSION
Parts listed in this catalog
may no longer be available.



ILLUSTRATED PARTS CATALOG

Designs, materials, weights, specifications, and dimensions for equipment or replacement parts are subject to change without notice.

BUNN-O-MATIC CORPORATION

POST OFFICE BOX 3227

SPRINGFIELD, ILLINOIS 62708-3227

PHONE: (217) 529-6601 FAX: (217) 529-6644

BUNN-O-MATIC COMMERCIAL PRODUCT WARRANTY

Bunn-O-Matic Corp. ("BUNN") warrants equipment manufactured by it as follows:

- 1) All equipment other than as specified below: 2 years parts and 1 year labor.
- 2) Electronic circuit and/or control boards: parts and labor for 3 years.
- 3) Compressors on refrigeration equipment: 5 years parts and 1 year labor.
- 4) Grinding burrs on coffee grinding equipment to grind coffee to meet original factory screen sieve analysis: parts and labor for 3 years or 30,000 pounds of coffee, whichever comes first.

These warranty periods run from the date of installation BUNN warrants that the equipment manufactured by it will be commercially free of defects in material and workmanship existing at the time of manufacture and appearing within the applicable warranty period. This warranty does not apply to any equipment, component or part that was not manufactured by BUNN or that, in BUNN's judgment, has been affected by misuse, neglect, alteration, improper installation or operation, improper maintenance or repair, damage or casualty. This warranty is conditioned on the Buyer 1) giving BUNN prompt notice of any claim to be made under this warranty by telephone at (217) 529-6601 or by writing to Post Office Box 3227, Springfield, Illinois 62708-3227; 2) if requested by BUNN, shipping the defective equipment prepaid to an authorized BUNN service location; and 3) receiving prior authorization from BUNN that the defective equipment is under warranty.

THE FOREGOING WARRANTY IS EXCLUSIVE AND IS IN LIEU OF ANY OTHER WARRANTY, WRITTEN OR ORAL, EXPRESS OR IMPLIED, INCLUDING, BUT NOT LIMITED TO, ANY IMPLIED WARRANTY OF EITHER MERCHANTABILITY OR FITNESS FOR A PARTICULAR PURPOSE. The agents, dealers or employees of BUNN are not authorized to make modifications to this warranty or to make additional warranties that are binding on BUNN. Accordingly, statements by such individuals, whether oral or written, do not constitute warranties and should not be relied upon.

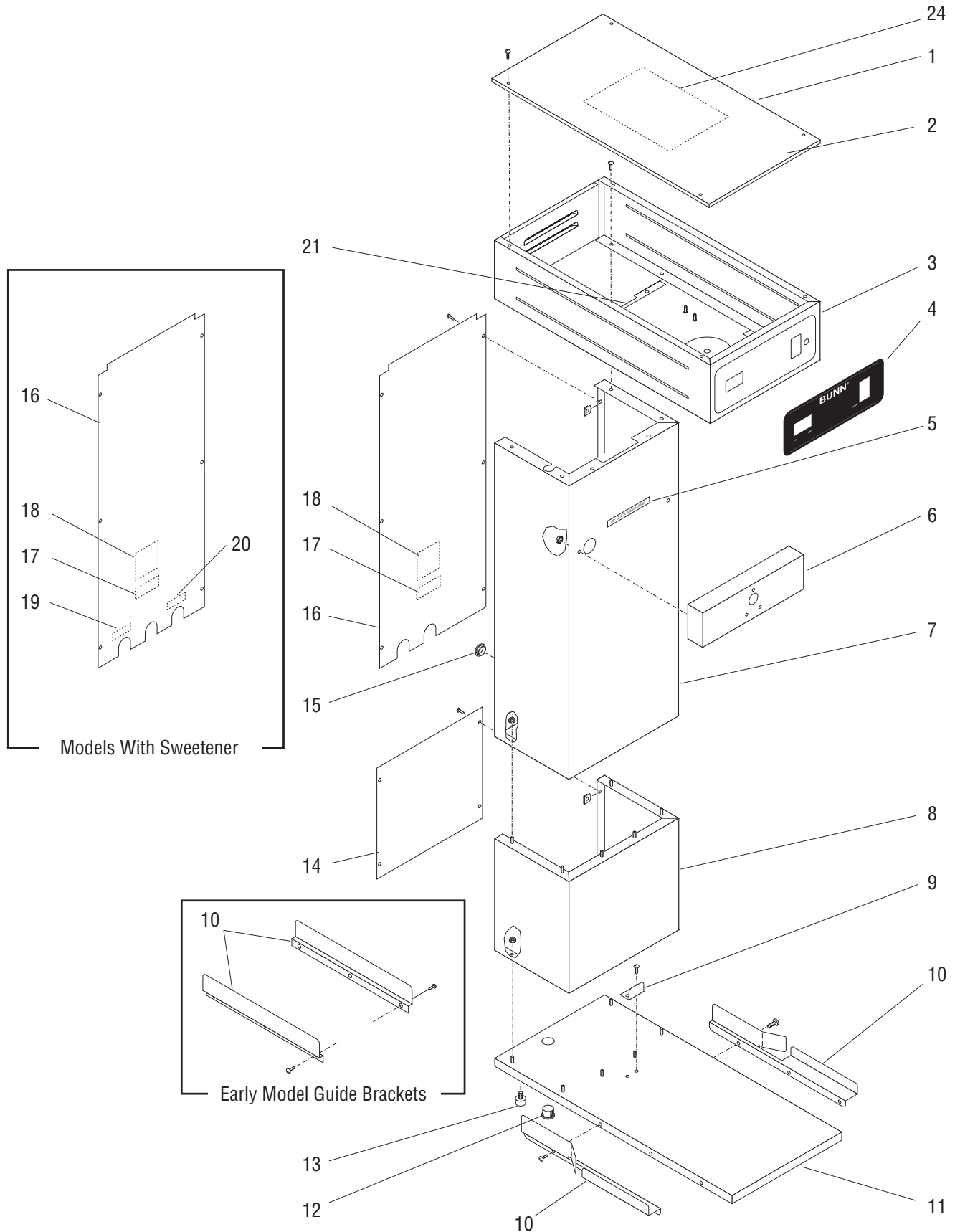
If BUNN determines in its sole discretion that the equipment does not conform to the warranty, BUNN, at its exclusive option while the equipment is under warranty, shall either 1) provide at no charge replacement parts and/or labor (during the applicable parts and labor warranty periods specified above) to repair the defective components, provided that this repair is done by a BUNN Authorized Service Representative; or 2) shall replace the equipment or refund the purchase price for the equipment.

THE BUYER'S REMEDY AGAINST BUNN FOR THE BREACH OF ANY OBLIGATION ARISING OUT OF THE SALE OF THIS EQUIPMENT, WHETHER DERIVED FROM WARRANTY OR OTHERWISE, SHALL BE LIMITED, AT BUNN'S SOLE OPTION AS SPECIFIED HEREIN, TO REPAIR, REPLACEMENT OR REFUND.

In no event shall BUNN be liable for any other damage or loss, including, but not limited to, lost profits, lost sales, loss of use of equipment, claims of Buyer's customers, cost of capital, cost of down time, cost of substitute equipment, facilities or services, or any other special, incidental or consequential damages.

TABLE OF CONTENTS

Electrical and Operating Controls	20
Funnel Assembly	24
Numerical Index	26
Strainer/Flow Control, Solenoids and Lines Without Sweetener	10
Strainer/Flow Control, Solenoids and Lines With Sweetener	14
Tank Assembly	8
Top Cover, Hood, Trunk, Base and Panels	4

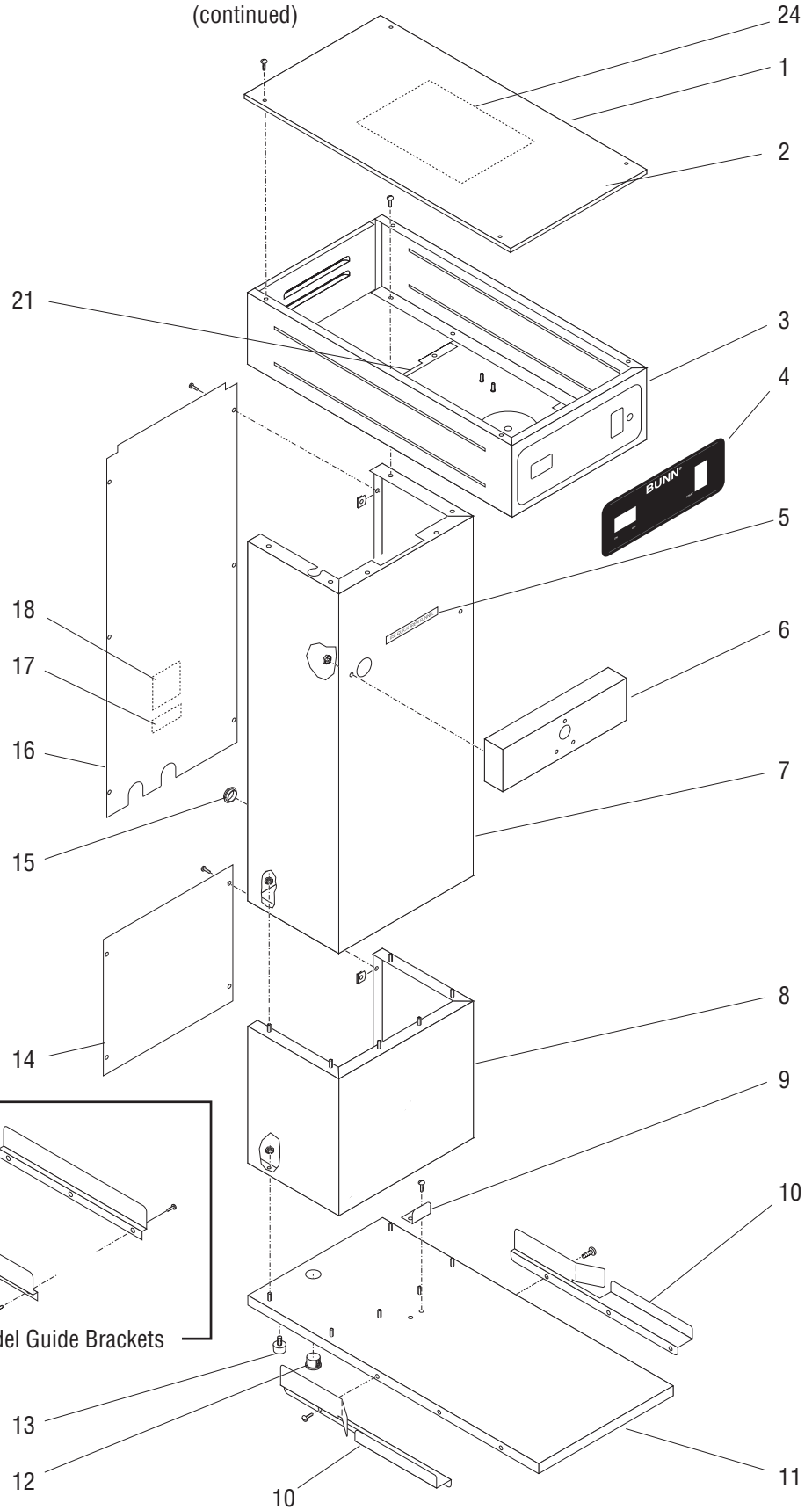
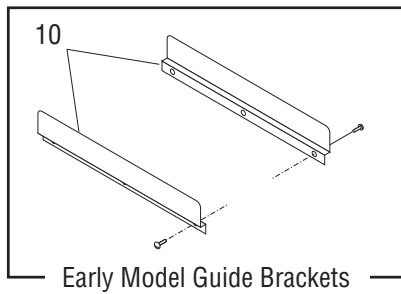
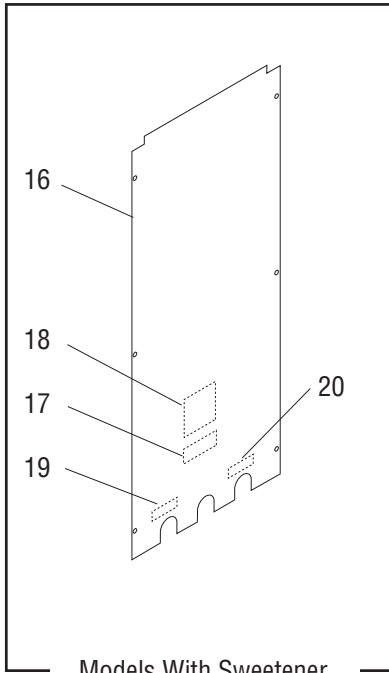


TOP COVER, HOOD, TRUNK, BASE AND PANELS

ITEM	PART NO.	QTY.	DESCRIPTION
1	03423.0000	1	Cover, Top SST (Also order Items 2 & 24)
	03423.1005	1	Cover, Top Black (Includes Item 2) (Also order item 24)
	03423.1008	1	Cover, Top SST (Includes Item 2) (Also order Item 24) (Models with Sweetener)
	01382.0000	4	Screw, TRH SST #6-32 x .375"
	01382.0002	4	Screw, TRH Black #6-32 x .375"
2	10287.0000	1	Schematic, Electrical 120 V
	10287.0001	1	Schematic, Electrical 120 V (Models with Sweetener)
	10324.0000	1	Schematic, Electrical 230 V
3	03381.0002	1	Hood SST (Also order Item 4)
	03381.0010	1	Hood Black (Also order Item 4)
	02308.0000	6	Screw, PNH SLTD W/SERR #8-32 x .375"
4	03363.0000	1	Decal, Hood - Control Panel
	03363.0001	1	Decal, Hood - Control Panel (Models with Ready Lamp)
	22251.0000	1	Decal, Hood - Control Panel (Models with Sweetener)
5	03537.0000	1	Decal, Use Quick Brew Funnel
6	03773.0000	1	Housing, Nozzle Mounting SST
	03773.0001	1	Housing, Nozzle Mounting Black
	00970.0000	2	Nut, Hex Keps #8-32
7	03762.0001	1	Trunk Assy SST (Also order Item 5)
	03762.0008	1	Trunk Assy Black (Also order Item 5)
	00970.0000	6	Nut, Hex Keps #8-32
8	03765.0003	1	Housing Assy, Trunk Extension 8.12" HT SST (See Item 23)
	03765.0006	1	Housing Assy, Trunk Extension 8.12" HT Black
	03765.0001	1	Housing Assy, Trunk Extension 6.12" HT (See Item 23)
	03765.0005	1	Housing Assy, Trunk Extension 4.46" HT (See Item 23)
	03765.0002	1	Housing Assy, Trunk Extension 3.00" HT (See Item 23)
	00970.0000	6	Nut, Hex Keps #8-32
9	03770.0000	1	Bracket, Stop
	01315.0000	2	Screw, TRH #8-32 x .375"
10	03772.0000	2	Guide, Base (Early Models)
	32035.0000	1	Guide, Base (Left Side)
	32035.0001	1	Guide, Base (Right Side) Late Models
	01317.0003	6	Screw, PNH - Locking #8-32 x .375"
11	03767.0000	1	Base
12	00668.0000	1	Plug, Hole .75" Dia
13	25137.0001	4	Foot, .75" O.D. x .44" HT (See Item 19)
14	03771.0003	1	Cover, Trunk Extension - Rear 8.12" HT SST (See Item 23)
	03771.0006	1	Cover, Trunk Extension - Rear 8.12" HT Black
	03771.0001	1	Cover, Trunk Extension - Rear 6.12" HT (See Item 23)
	03771.0004	1	Cover, Trunk Extension - Rear 4.64" HT (See Item 23)
	03771.0002	1	Cover, Trunk Extension - Rear 3.00" HT (See Item 23)
	01315.0000	4	Screw, TRH SST #8-32 x .375"
	02322.0002	4	Screw, TRH Black #8-32 x .375"
	00917.0000	4	Fastener, J-Type #8-32

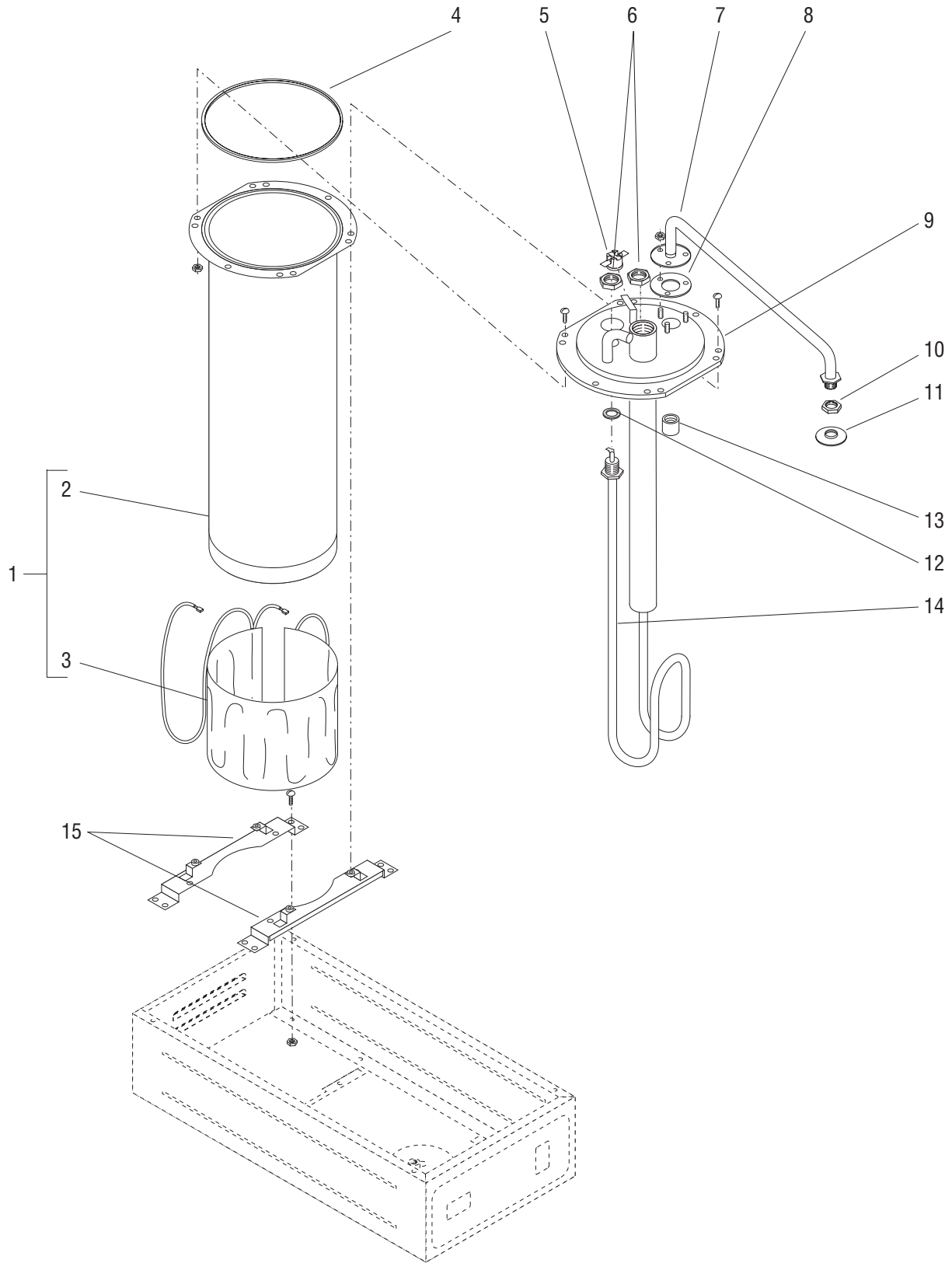
(continued)

(continued)



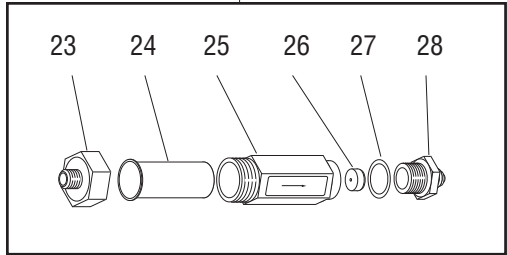
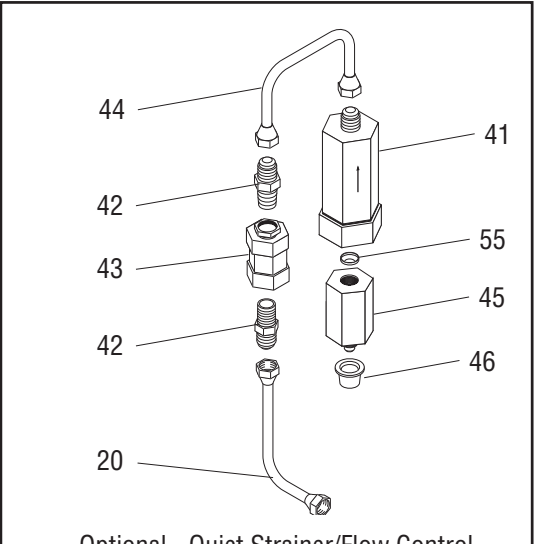
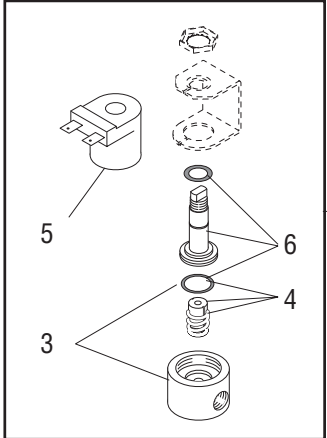
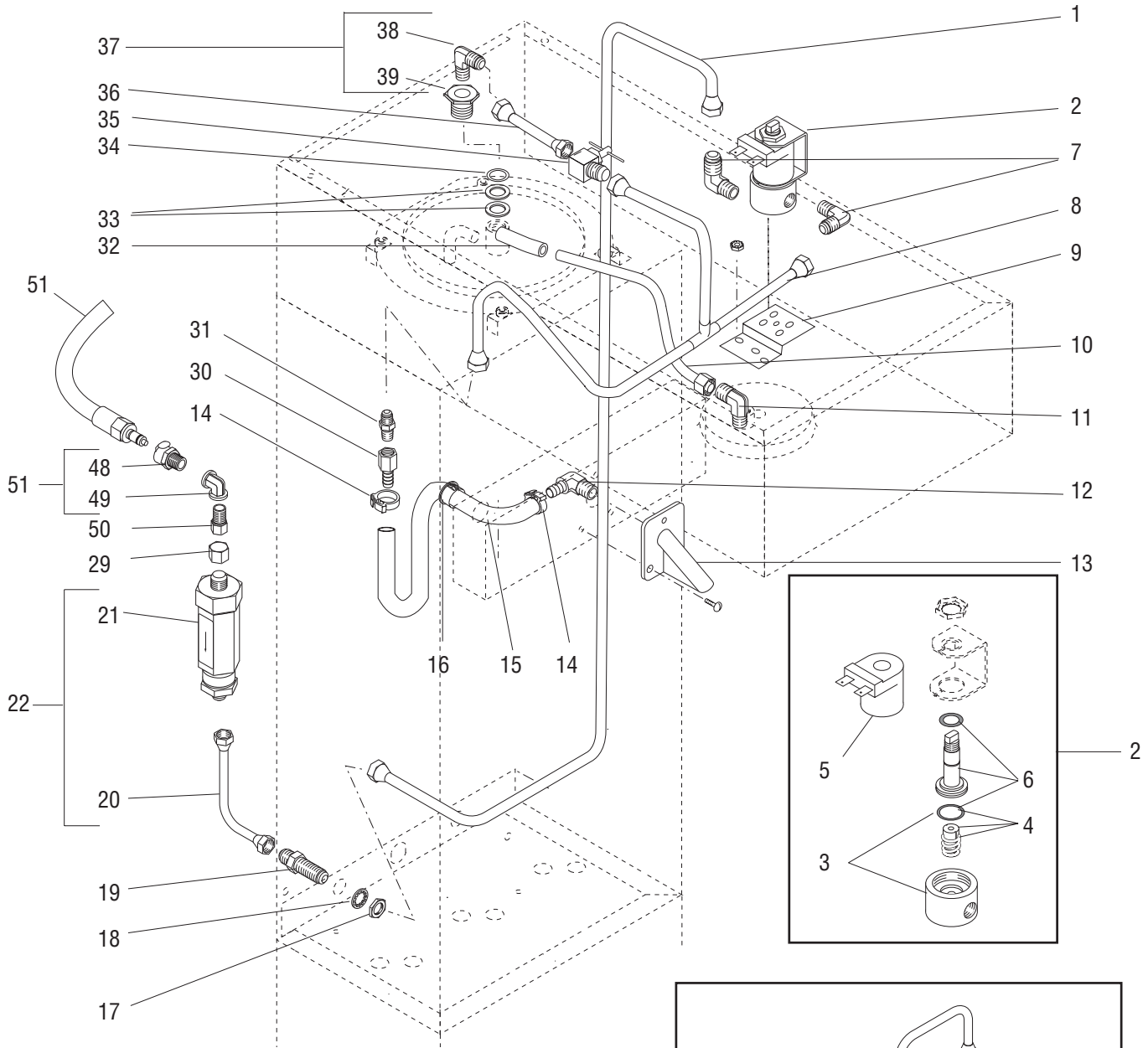
TOP COVER, HOOD, TRUNK, BASE AND PANELS

ITEM	PART NO.	QTY.	DESCRIPTION
15	05749.0001	1	Plug, Hole .625" Dia. (230V Models Only)
16	25615.0000	1	Panel W/Decals, Trunk SST (Includes Items 17 & 18)
	25615.0002	1	Panel W/Decals, Trunk Black (Includes Items 17 & 18)
	22297.0000	1	Panel W/Decals, Trunk Black (Includes Items 17 thru 20) (120V Models with Sweetener)
	01315.0000	6	Screw, TRH SST #8-32 x .375"
	02322.0002	6	Screw, TRH Black #8-32 x .375"
	00917.0000	6	Fastener, J-Type #8-32
17	00656.0000	1	Decal, Comply With Plumbing Code
18	00831.0000	1	Decal, Electrical Warning
19	27371.0000	1	Decal, Water Inlet
20	27371.0001	1	Decal, Sweetener Inlet
21	02712.1000	1	Edging, 18" LG (Cut to 2")
22	24600.0000	-	Kit, Foot (Includes four feet)
23	03760.0003	-	Trunk Extension Kit, 8.12" HT (Includes Items 8, 14 & Hardware)
	03760.0001	-	Trunk Extension Kit, 6.12" HT (Includes Items 8, 14 & Hardware)
	03760.0004	-	Trunk Extension Kit, 4.64" HT (Includes Items 8, 14 & Hardware)
	03760.0002	-	Trunk Extension Kit, 3.00" HT (Includes Items 8, 14 & Hardware)
24	32540.0000	1	Decal, Batch Set (Digital Timer) (Late Models)



TANK ASSEMBLY

ITEM	PART NO.	QTY.	DESCRIPTION
-	05696.0000	1	Tank Assy, 1680W 120 V (Includes Items 2 thru 9, 12, 13, 14 & 16) (120V Only)
	01315.0000	4	Screw, TRH #8-32 x .375"
1	03045.0000	1	Tank W/Blanket Warmer 120 V (Includes Items 2, 3)
	03045.0003	1	Tank W/Blanket Warmer 230 V (Includes Items 2, 3)
2	03068.0001	1	Tank
3	03468.0000	1	Blanket Warmer, 55W 120V
	03470.0000	1	Blanket Warmer, 55W 230V
4	04844.0000	1	Gasket, Tank Lid
5	29329.1000	1	Thermostat, Limit 30 amp
6	00942.0000	2	Nut, Hex .50"-20
7	05557.0000	1	Sprayhead Tube Kit (Includes 3 Mounting Nuts below, Items 8 & 13)
	00908.0000	3	Nut, Hex #8-32
8	05515.0000	1	Gasket, Sprayhead Tube
9	03125.0000	1	Lid Assembly, Tank
	02337.0002	6	Screw, Hex Head Thread Forming #10 x .50"
10	01075.0000	1	Nut, Hex .438"-20
11	01082.0000	1	Sprayhead, 6 Hole
	01082.0003	1	Sprayhead, 7-Hole (Optional)
12	00943.0000	2	Gasket, Tank Heater
13	05518.0000	1	Syphon Hub
14	03070.1000	1	Tank Heater, 1680W 120V (Includes Item 12) (120V)
	03297.1000	1	Tank Heater, 1680W 100V (Includes Item 12) (100V)
	03299.1000	1	Tank Heater, 1680W 230V (Includes Item 12) (230V)
15	03387.0000	2	Bracket, Tank Mounting
	01315.0000	4	Screw, TRH #8-32 x .375"



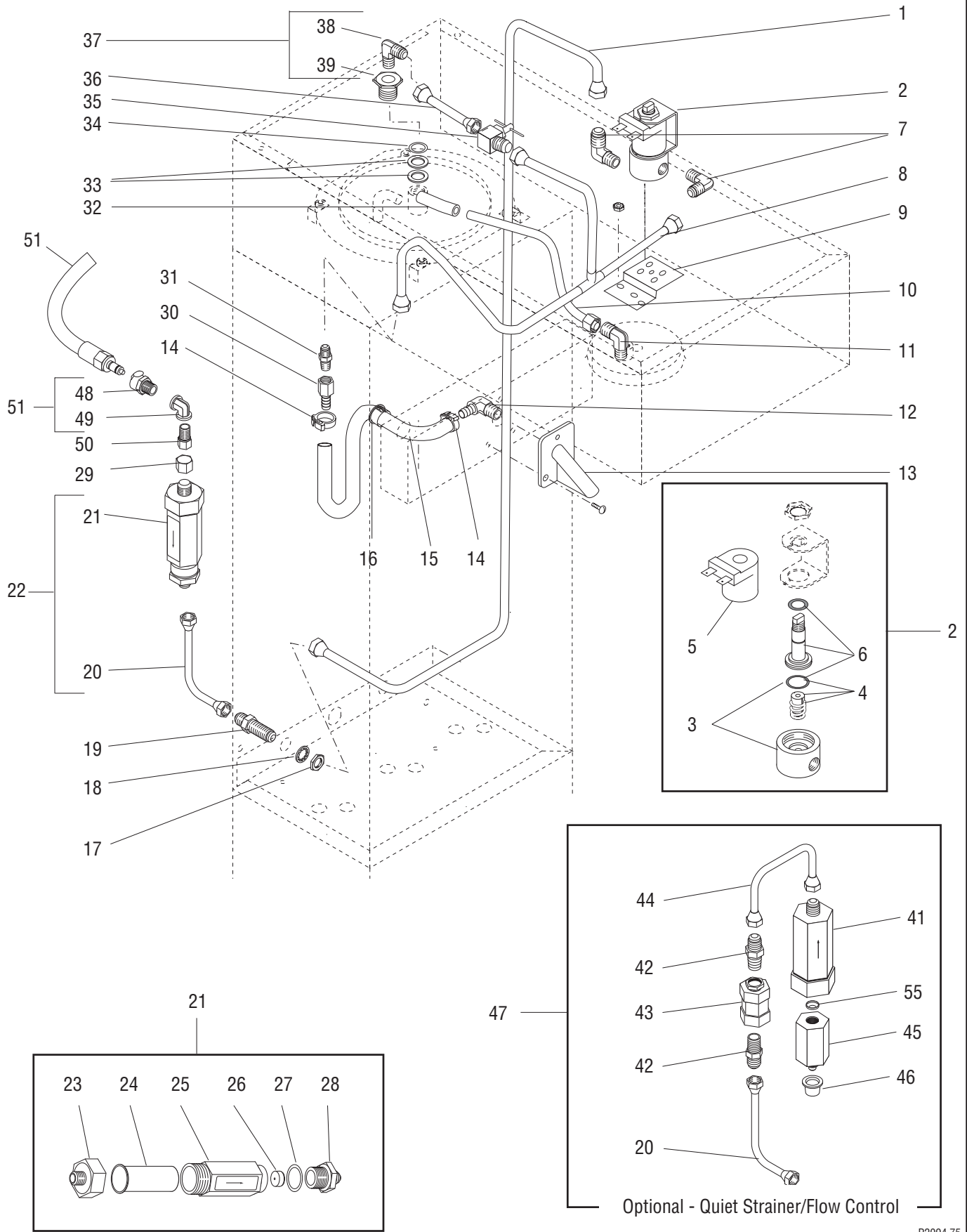
Optional - Quiet Strainer/Flow Control

STRAINER/FLOW CONTROL, SOLENOIDS AND LINES W/OUT SWEETENER

ITEM	PART NO.	QTY.	DESCRIPTION
1	03533.0000	1	Tube Assy, Bulkhead to Solenoid
2	01085.0002	1	Solenoid Valve (Includes Items 3-6) (120V)
	01138.0000	1	Solenoid Valve (Includes Items 3, 5 & 6) (100V)
	28005.0000	1	Solenoid Valve (Includes Items 3-5) (230V)
	01327.0000	2	Screw PNH #10-32 x .375"
	01502.0000	2	Lockwasher #10
3	28479.0000	1	Base Kit (Includes O-Ring) (120V)
	01079.0000	1	Base (100V)
	28021.0000	1	Core Assy Kit, (230V)
4	01111.0002	1	Valve Repair Kit (Includes Plunger, Spring & O-Ring)
5	28480.0000	1	Valve Coil (120V)
	01139.0000	1	Valve Coil (100V)
	28020.0000	1	Valve Coil (230V)
6	28481.0000	1	Guide Kit (Includes Washer & O-Ring) (120V)
	01116.0000	1	Guide (100V)
7	00400.0001	2	Elbow, .25" Flare x .125" MPT
8	21179.0000	1	Tube Assy, Mnf - Needle Valve to Dilution (See Item 40)
9	07441.0000	1	Bracket, Solenoid Valve Mounting
	00970.0000	2	Nut, Keps #8-32
10	13003.0000	1	Tube Assy, Air Vent
11	21695.0001	1	Elbow, .375" Compression x.125" MPT
12	00464.0001	1	Elbow, .25" Barb x .125" MPT
13	03717.0000	1	Nozzle, Dilution
	01382.0000	3	Screw, TRH SERR SST #6-32 x .375"
	01382.0002	3	Screw, TRH SERR Blk #6-32 x .375"
14	12422.0000	2	Clamp
15	11707.1000	1	Tube, Silicone, .250" ID x 12.0" Lg
16	01592.0000	1	Bushing, Snap 1.0" Dia
17	00463.0000	1	Nut, Hex .375" -20
18	01532.0000	1	Lockwasher, INTL TOOTH - .438"
19	00459.0000	1	Fitting, Bulkhead
20	00310.0000	1	Tube Assy, Strainer/Flow Control
21	22300.0750	1	Strainer/Flow Control .750 GPM (Includes Items 23-28)
22	24356.0750	1	Strainer/Flow Control w/Tubing .750 GPM (Includes Items 20, 21 & 43)
23	22249.0000	1	Fitting, Flow Control Inlet
24	23721.0000	1	Screen

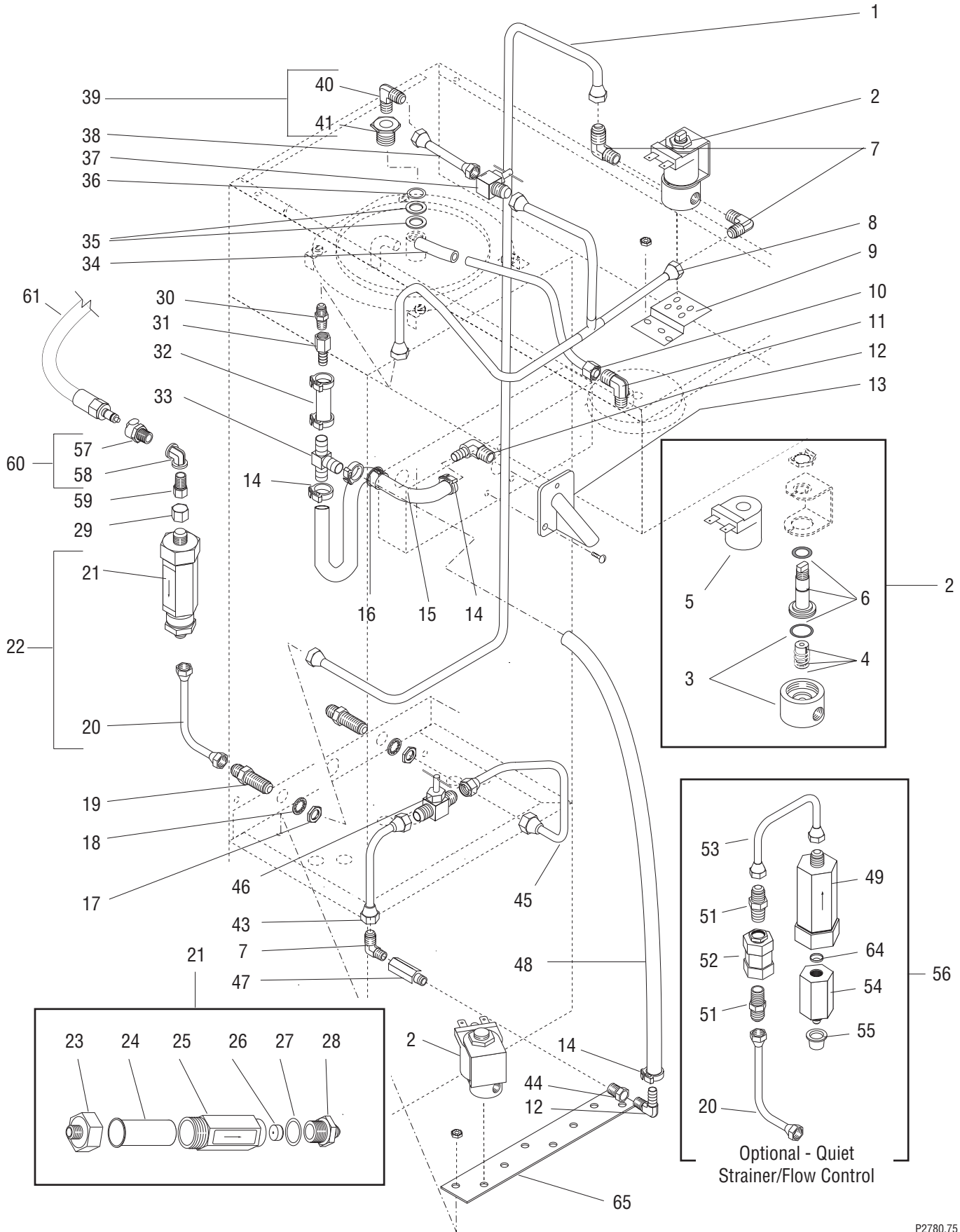
(Continued)

(Continued)



STRAINER/FLOW CONTROL, SOLENOIDS AND LINES W/OUT SWEETENER

ITEM	PART NO.	QTY.	DESCRIPTION
25	-----	1	Body (Not Serviced, Order Item 21)
26	20526.1750	1	Flow Washer/ Gasket Kit .750 GPM (Includes Item 27)
27	01155.0000	1	Gasket
28	01154.0000	1	Fitting, Flow Control Outlet
29	00935.0000	1	Cap, Brass .25" Flare (For shipping purposes only)
30	00469.0001	1	Connector .25" FPT x .25" Barb
31	00402.0001	1	Connector, .25" Flare x .25" MPT
32	03236.1000	1	Tube, Silicone .312" ID x 12.0" Lg (Cut to 2")
33	01201.0000	2	Gasket, Tank inlet
34	01540.0000	1	Washer
35	00484.0001	1	Needle Valve (See Item 40)
36	03535.0000	1	Tube Assy, Needle Valve to Tank (See Item 40)
37	00460.0000	1	Fitting, Tank Inlet (Includes Items 38 & 39)
38	00400.0001	1	Elbow, Male - TNPL .25" FLR x .12 MPT
39	00948.0000	1	Fitting, Inlet - .750" -16 x .12 FPT
40	03532.0000	1	Tube Assy, Manifold to Solenoid (Includes Items 8, 30, 31, 35 & 36)
41	23820.0000	1	Strainer/Flow Control .750 GPM (Includes Items 23-25) (Optional - Quiet)
42	00423.0000	2	Connector, Male (Optional - Quiet Strainer/Flow Control)
43	27596.1750	1	Flow Control, Assembly (Optional - Quiet Strainer/Flow Control)
44	04572.0000	1	Tube Assembly, Flow Control Strainer to Copper (Optional - Quiet Strainer/Flow Control)
45	22293.0000	1	Adaptor, Strainer Extension (Optional - Quiet Strainer/Flow Control)
46	22145.0000	1	Cap (Optional - Quiet Strainer/Flow Control)
47	34980.0000	1	Strainer/Flow Control w/Tubing .750 GPM (Includes Items 20, 41, 42-46 & 55) (Optional - Quiet Strainer/Flow Control)
48	00424.0000	1	Coupling, Quick Female W/Shut-off (Optional - Quick Connect)
49	00473.0001	1	Elbow, Union .250" FPT (Optional - Quick Connect)
50	00472.0001	1	Adapter, .250" FFL x .250" MPT (Optional - Quick Connect)
51	22189.0000	1	Fitting Assembly (Includes items 48 & 49) (Optional - Quick Connect)
52	00327.0002	1	Hose Assembly (Optional - Quick Connect)
53	34397.0000	1	Assembly, Quick Connect W/ Adaptor (Includes Items 50 & 51)
54	35798.0000	1	Kit, Quick Connect, .250" (Includes Items 48-50 & 53)
55	24684.0000	1	Gasket .25" Flare - Copper

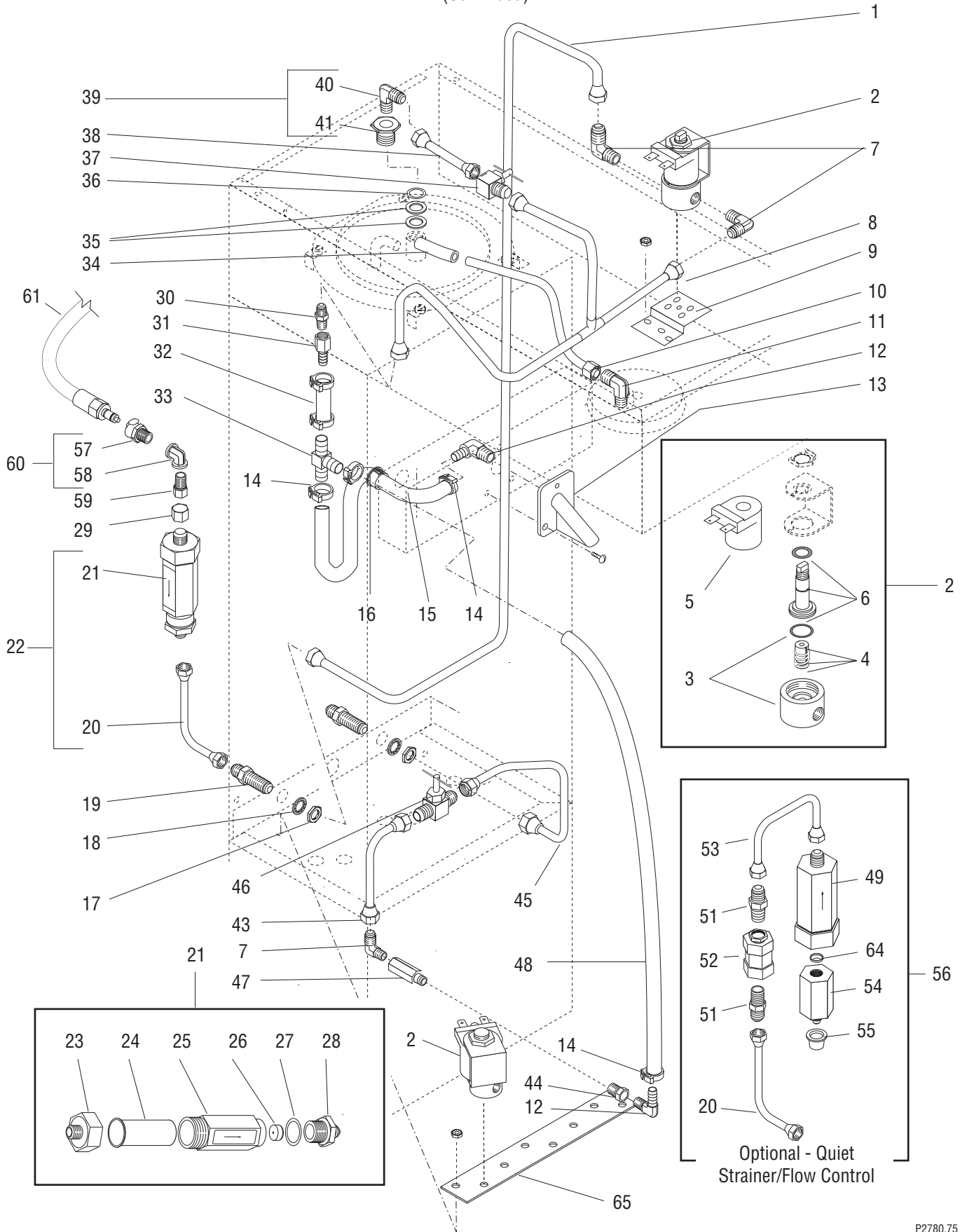


STRAINER/FLOW CONTROL, SOLENOIDS AND LINES WITH SWEETENER

ITEM	PART NO.	QTY.	DESCRIPTION
1	03533.0000	1	Tube Assy, Bulkhead to Solenoid
2	01085.0000	2	Solenoid Valve (Includes Items 3, 5 & 6) (120V)
	01327.0000	4	Screw PNH #10-32 x .375"
	01502.0000	4	Lockwasher #10
3	01079.0000	1	Base (120V)
4	01111.0000	1	Valve Repair Kit (Includes Plunger, Spring & O-Ring)
5	01101.0000	1	Valve Coil (120V)
6	01116.0000	1	Guide (120V)
7	00400.0001	3	Elbow, .25" Flare x .125" MPT
8	21179.0000	1	Tube Assy, Mnf - Needle Valve to Dilution (See Item 42)
9	07441.0000	1	Bracket, Solenoid Valve Mounting
	00970.0000	2	Nut, Keps #8-32
10	13003.0000	1	Tube Assy, Air Vent
11	21695.0001	1	Elbow, .375" Compression x.125" MPT
12	00464.0001	2	Elbow, .25" Barb x .125" MPT
13	03717.0000	1	Nozzle, Dilution
	01382.0000	3	Screw, TRH SERR SST #6-32 x .375"
	01382.0002	3	Screw, TRH SERR Blk #6-32 x .375"
14	12422.0000	6	Clamp
15	-----	1	Tube, Silicone, .250" ID x .50" x 7.0" (Order item 50)
16	01592.0000	1	Bushing, Snap 1.0" Dia
17	00463.0000	1	Nut, Hex .375" -20
18	01532.0000	1	Lockwasher, INTL TOOTH - .438"
19	00459.0000	1	Fitting, Bulkhead
20	00310.0000	1	Tube Assy, Strainer/Flow Control
21	22300.0750	1	Strainer/Flow Control .750 GPM (Includes Items 23-28)
22	24356.0750	1	Strainer/Flow Control w/Tubing .750 GPM (Includes Items 20 & 21)
23	22249.0000	1	Fitting, Flow Control Inlet
24	23721.0000	1	Screen
25	-----	1	Body (Not Serviced, Order Item 21)
26	20526.1750	1	Flow Washer/ Gasket Kit .750 GPM (Includes Item 27)
27	01155.0000	1	Gasket
28	01154.0000	1	Fitting, Flow Control Outlet
29	00935.0000	1	Cap, Brass .25" Flare (For shipping purposes only)

(Continued)

(Continued)

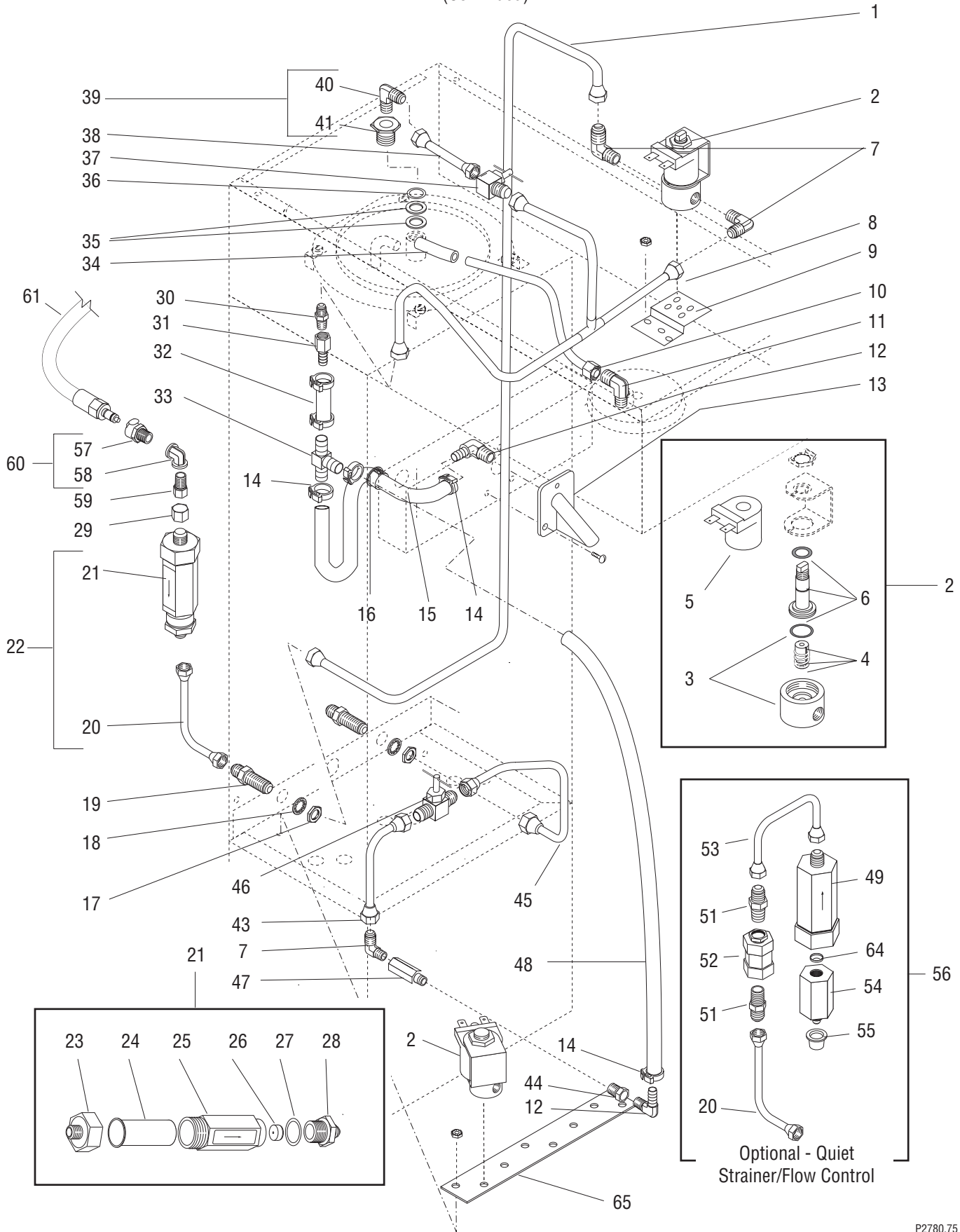


STRAINER/FLOW CONTROL, SOLENOIDS AND LINES WITH SWEETENER

ITEM	PART NO.	QTY.	DESCRIPTION
30	00402.0001	1	Connector, .25" Flare x .12" MPT
31	00469.0001	1	Connector .25" FPT x .25" Barb
32	-----	1	Tube, Silicone, .250" ID x .50" x 5.0") (Order item 50)
33	22150.0001	1	Tee, .250" Barb
34	03236.1000	1	Tube, Silicone .312" ID x 12.0" Lg (Cut to 2")
35	01201.0000	2	Gasket, Tank inlet
36	01540.0000	1	Washer
37	00484.0001	1	Needle Valve (See Item 42)
38	03535.0000	1	Tube Assy, Needle Valve to Tank (See Item 42)
39	00460.0000	1	Fitting, Tank Inlet (Includes Items 40 & 41)
40	00400.0001	1	Elbow, Male - TNPL .25" FLR x .12 MPT
41	00948.0000	1	Fitting, Inlet - .750" -16 x .12 FPT
42	03532.0000	1	Tube Assy, Manifold to Solenoid (Includes Items 8, 30, 31, 37 & 38)
43	21812.0013	1	Tube Assembly, Flow Control to Check Valve
44	00430.0001	1	Adapter, .125" MPT to 0125" FPT
45	22298.0000	1	Tube Assembly, Needle Valve to Bulkhead
46	00484.0002	1	Valve, Needle
47	00458.0001	1	Adapter, .125" MPT
48	-----	1	Tube, Silicone .250" I.D. x .50" O.D. x 15.0" LG (Order Item 50)
49	23820.0000	1	Strainer/Flow Control .750 GPM (Includes Items 23-25) (Optional - Quiet)
50	11707.1000	-	Tube, Silicone .250" I.D. x .50" O.D. x 12" LG (Cut to Required Length)
	11707.1001	-	Tube, Silicone .250" I.D. x .50" O.D. x 36" LG (Cut to Required Length)
51	00423.0000	2	Connector, Male (Optional - Quiet Strainer/Flow Control)
52	27596.1750	1	Flow Control, Assembly (Optional - Quiet Strainer/Flow Control)
53	04572.0000	1	Tube Assembly, Flow Control Strainer to Copper (Optional - Quiet Strainer/Flow Control)
54	22293.0000	1	Adaptor, Strainer Extension (Optional - Quiet Strainer/Flow Control)
55	22145.0000	1	Cap (Optional - Quiet Strainer/Flow Control)
56	34980.0000	1	Strainer/Flow Control w/Tubing .750 GPM (Includes items 20, 49, 51-55 & 64) (Optional - Quiet Strainer/Flow Control)
57	00424.0000	1	Coupling, Quick Female W/Shut-off (Optional - Quick Connect)
58	00473.0001	1	Elbow, Union .250" FPT (Optional - Quick Connect)

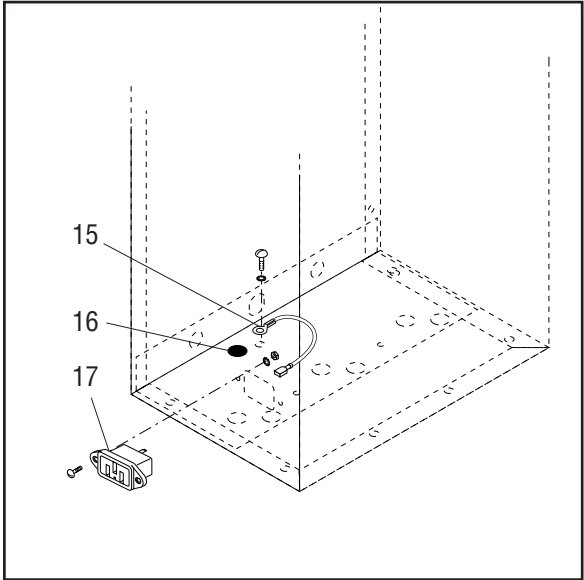
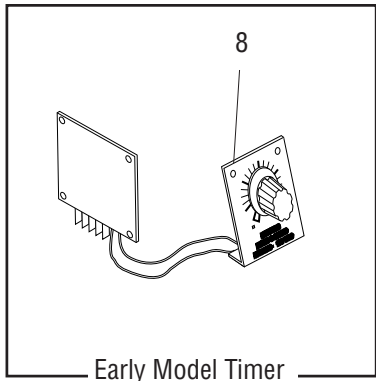
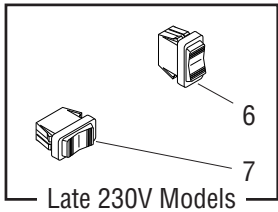
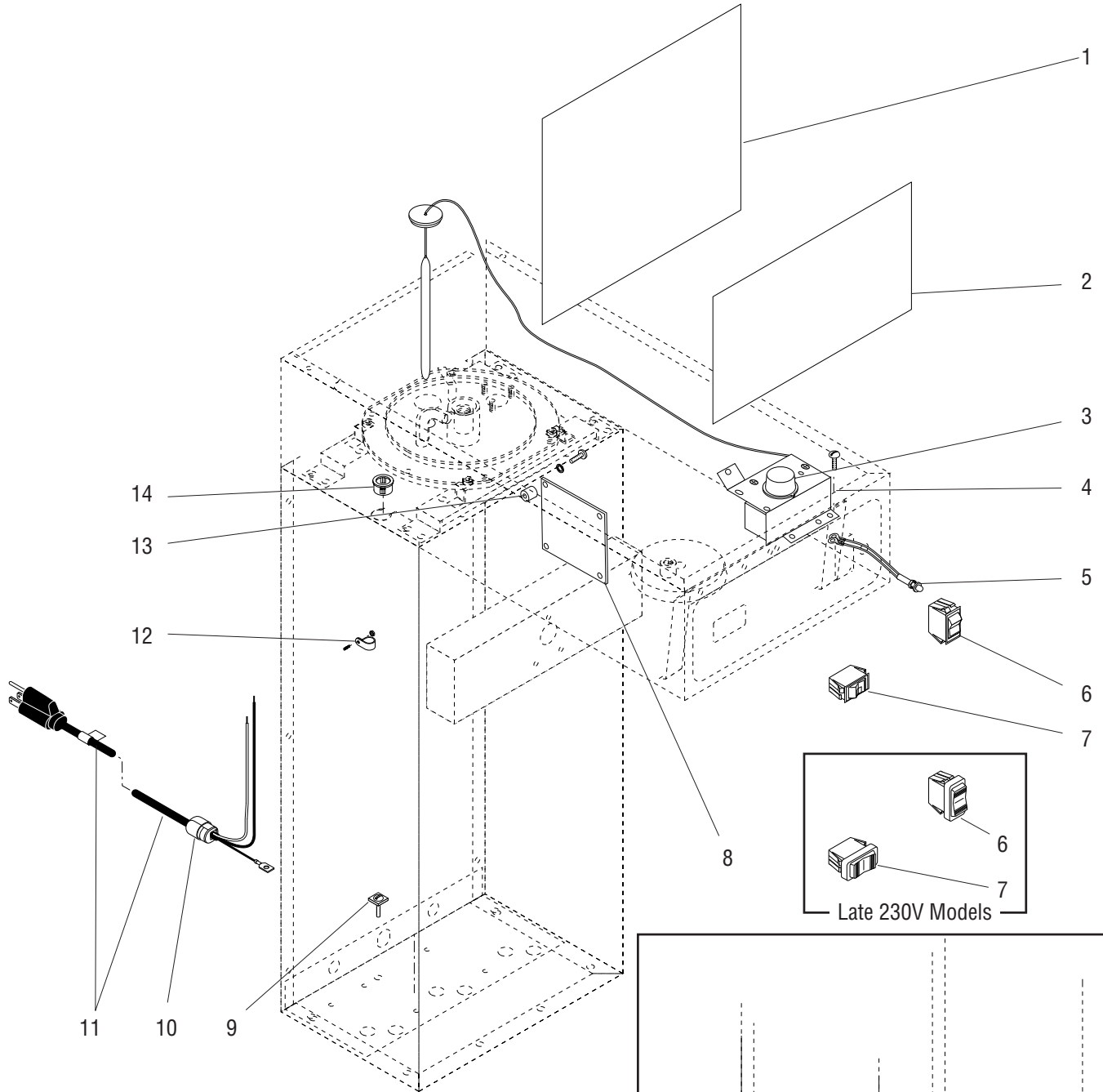
(Continued)

(Continued)



STRAINER/FLOW CONTROL, SOLENOIDS AND LINES WITH SWEETENER

ITEM	PART NO.	QTY.	DESCRIPTION
59	00472.0001	1	Adapter, .250" FFL x .250" MPT (Optional - Quick Connect)
60	22189.0000	1	Fitting Assembly (Includes items 57 & 58) (Optional - Quick Connect)
61	00327.0002	1	Hose Assembly (Optional - Quick Connect)
62	34397.0000	1	Assembly, Quick Connect W/ Adaptor (Includes Items 59 & 60) (Not Illustrated)
63	35798.0000	1	Kit, Quick Connect, .250" (Includes Items 57-60) (Not Illustrated)
64	24684.0000	1	Gasket .25" Flare - Copper
65	03170.0000	1	Bracket, Solenoid Valve Mount (Models with Sweetener Only)
	00970.0000	2	Nut, Keps #8-32

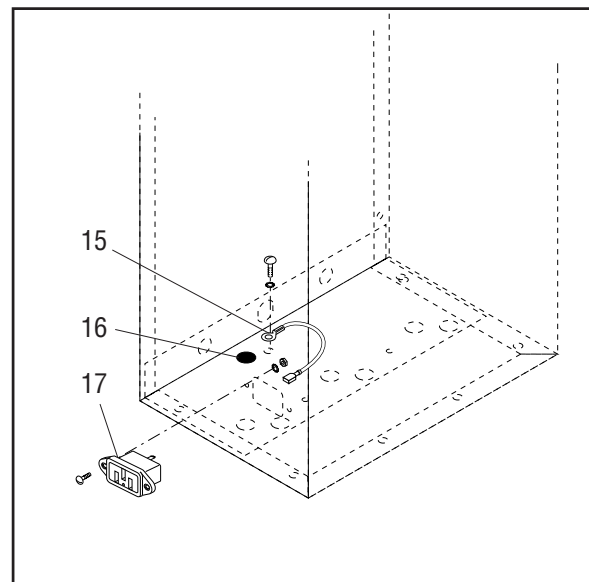
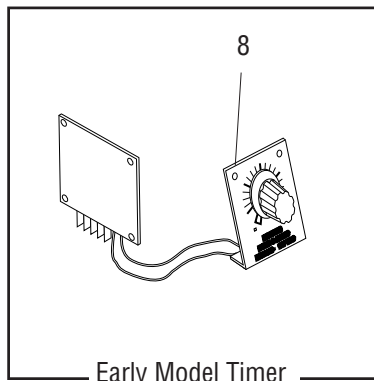
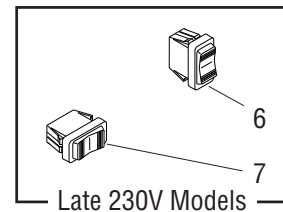
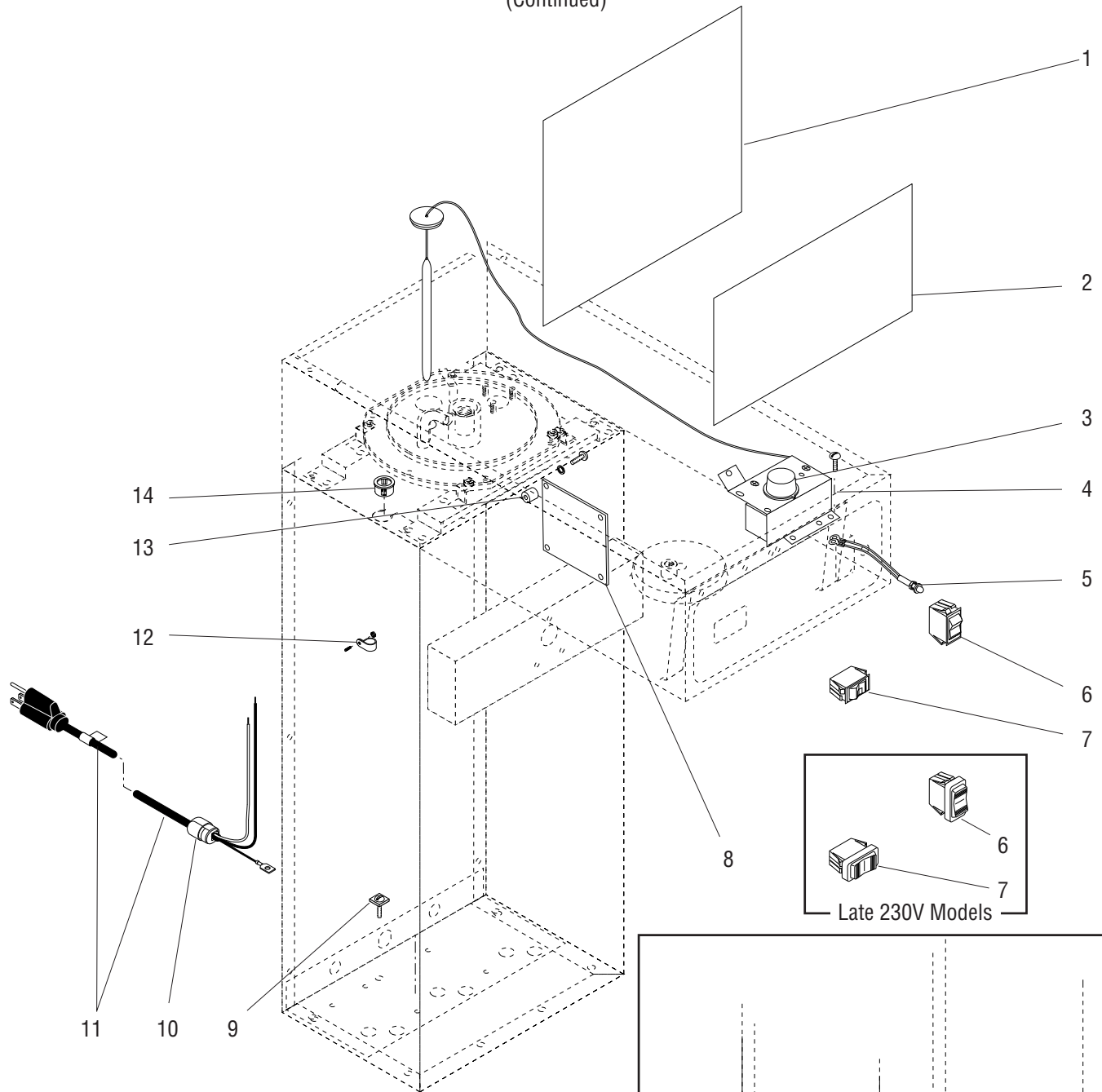


ELECTRICAL AND OPERATING CONTROLS

ITEM	PART NO.	QTY.	DESCRIPTION	
1	00636.0000	1	Shield, 7.0" x 9.0"	
2	00637.0000	1	Shield, 5.0" x 9.0"	
3	00720.0000	1	Knob, Thermostat	
4	03024.0005	1	Thermostat Assy, 206F Max (Includes Item 3)	
	01347.0000	2	Screw, Truss Head #6-32 x .38"	
5	12984.0006	1	Lamp Assembly, Green 120V (Optional)	
6	03358.0001	1	Switch, Start (100 & 120V Models and Early 230V Models)	
	28303.0000	1	Switch, Start (Late 230V Models)	
7	03357.0003	1	Switch, On/Off (100V & 120V Models)	
	03356.0001	1	Switch, On/Off (120V Models W/Sweetener)	
	03357.0004	1	Switch, On/Off (Early 230V Models)	
	28305.0000	1	Switch, On/Off (Late 230V Models)	
8	-----	-	Timer, 8 Min - 120V (Used on 100V & 120V Models)	} Early Models - Order Item 29
	-----	-	Timer, 8 Min - 240V (Used on 230V Models)	
	32400.0002	1	Digital Timer - 120V (Late Models)	
	32400.0003	1	Digital Timer - 240V (Late Models)	
	01510.0000	2	#6 Lockwasher	
	01388.0000	2	Screw, Truss Head #6-32 x .75"	
	01347.0000	2	Screw, Truss Head #6-32 x .38"	
	12919.0008	1	Cap, Terminal (Not Illustrated)	
9	01309.0000	1	Screw, PNH w/ Term WSHR #10-32 x .50"	
10	00707.0000	1	Bushing, Strain Relief (100V & 120V only)	
11	01637.0000	1	Power Cord (100V & 120V only)	
	01637.0006	1	Power Cord (120V Models with Sweetener)	
12	00603.0000	2	Clamp, Nylon	
	00970.0000	2	Nut, KEPS #8-32	
13	01533.0000	2	Spacer	
14	00614.0000	1	Bushing	
15	21016.0044	1	Lead, Electrical Ground 16 AWG GRN/YEL 15" Long	} 230V Models
	01375.0000	1	Screw, PNH SLTD Brass - #10-32 x .50"	
	01512.0000	1	Lockwasher, EXT T - #10	
16	00824.0000	1	Decal, Ground	
17	01908.0000	1	Power Connector - 3 Pin 10 Amp 250V	
	01362.0000	2	Screw OVH SLTD SST #4-40 x .50"	
	01509.0000	2	Lockwasher, EXT T - #4	
	00937.0000	2	Nut, Hex - SST #4-40	

(Continued)

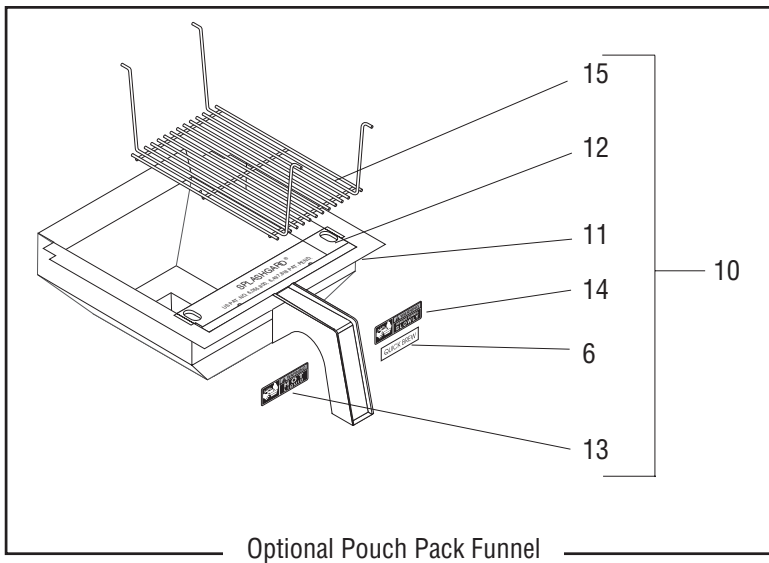
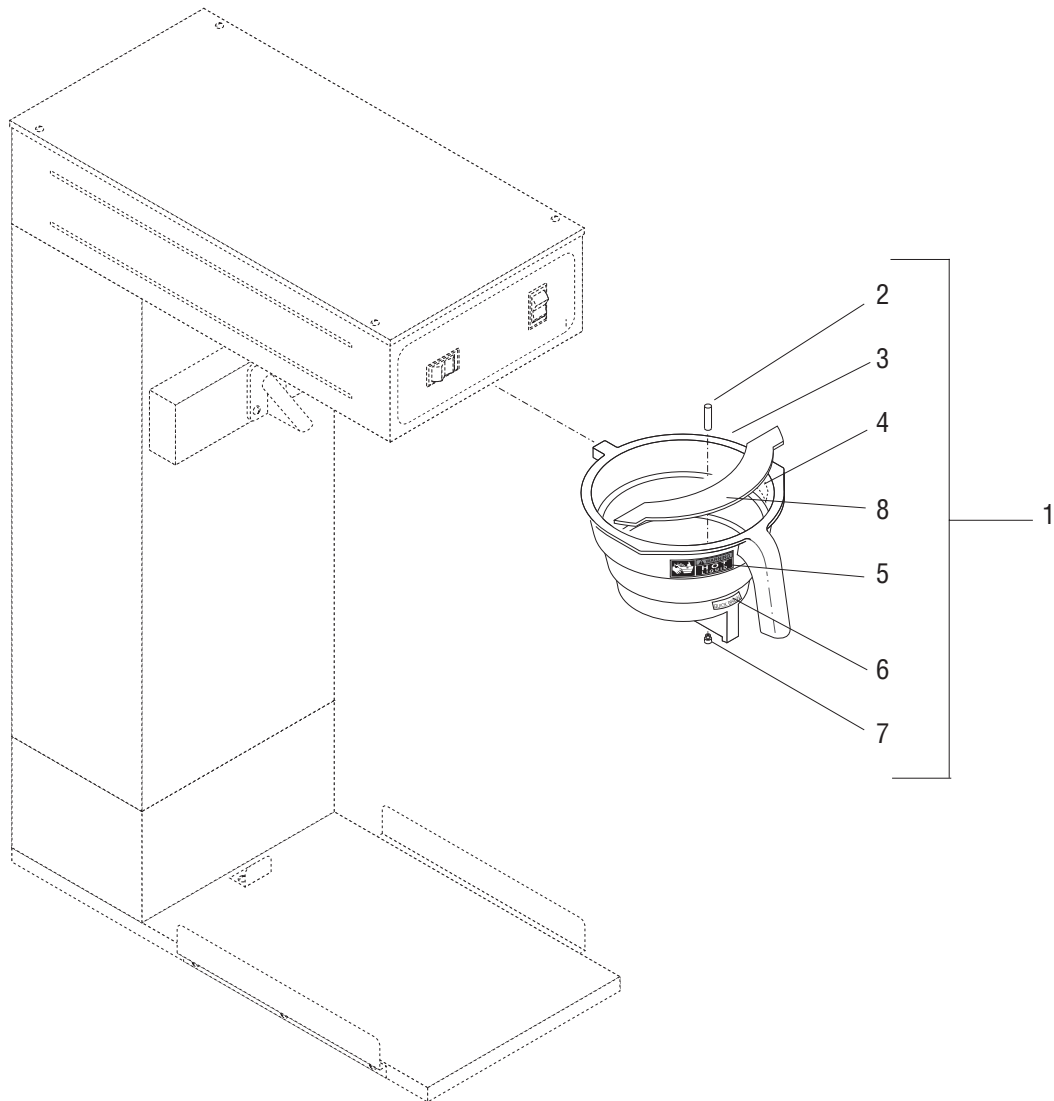
(Continued)



ELECTRICAL AND OPERATING CONTROLS

ITEM	PART NO.	QTY.	DESCRIPTION
Note: The following items are not illustrated			
18	01668.0000	2	Wire Nut, Orange, Warmer Blanket Wires to Main Harness
19	10301.0000	1	Wiring Harness, Main - 120V (Used on 100V & 120V Models)
	10301.0003	1	Wiring Harness, Main - 230V (Used on 230V Models)
20	21000.0074	1	Lead, Elec - 18 AWG BLK 7.5", Warmer Blanket to Main Harness
21	21001.0098	1	Lead, Elec - 18 AWG WHI 7.5", Warmer Blanket to Main Harness (Not Used in 230V)
22	00617.0000	3	Cable Tie, Nylon
23	21016.9005	1	Lead, Elec - 16 AWG BLK 18.0" Control Thermostat to Tank Heater
	20762.0000	1	Screw, BDGH SLTD 8-32 x .25"
24	21016.9004	1	Lead, Elec - 16 AWG BLU/BLK 16.0" Control Thermostat to Limit Thermostat
	20762.0000	1	Screw, BDGH SLTD 8-32 x .25"
25	04776.0001	1	Thermal Cut-Off W/Terminals
26	21003.0173	1	Lead, Elec - 18 AWG RED 14.0", Power Connector to Main Harness
27	21000.0421	1	Lead, Elec - 18 AWG BLK 14.0", Power Connector to Main Harness
28	21003.0174	1	Lead, Elec - 18 AWG RED 6.25", Warmer Blanket to Main Harness
29	32400.0000	-	Timer Kit, 120V (Replaces Early Model Timer with Digital Timer)
	32400.0001	-	Timer Kit, 240V (Replaces Early Model Timer with Digital Timer)
30	36451.0001	1	Wiring Harness, Sweetener Solenoid

} 230V Models



FUNNEL ASSEMBLY

ITEM	PART NO.	QTY.	DESCRIPTION
1	03021.0005	1	Funnel Assembly, Smoke - Quick Brew (Includes items 2 thru 8)
2	03284.0000	1	Adaptor W/Screen, Funnel (See item 9)
3	-----	1	Funnel, Brew Tea - Smoke (Not Available. Order item 1)
4	03408.0000	1	Decal, Caution - Remove Funnel
5	03409.0000	1	Decal, Caution - Hot Liquid
6	03536.0000	1	Decal, Quick Brew
7	03407.0002	1	Funnel Tip, .114" Dia (See Item 9)
8	32965.0000	1	Splashgard
9	01037.0003	-	Funnel Tip & Screen Kit (Includes items 2 & 7)
10	35282.0001	1	Funnel Assembly, Smoke - Pouch Pack (Includes items 2, 6, 7 & 11 thru 15)
11	-----	1	Funnel, Pouch Pack - Smoke (Not Available. Order item 10)
12	34439.0000	1	Splashgard, Pouch Pack
13	03408.0002	1	Decal, Warning - Remove Funnel
14	03409.0002	1	Decal, Warning - Hot Liquid
15	29916.0000	1	Insert, Wire Form - Pouch Pack

NUMERICAL INDEX

PART NO.	PAGE NO.	PART NO.	PAGE NO.	PART NO.	PAGE NO.	PART NO.	PAGE NO.
00310.0000	11,15	01347.0000	21	03535.0000	13,17	21179.0000	11,15
00327.0002	13,19	01362.0000	21	03536.0000	25	21695.0001	11,15
00400.0001	11,13,15,17	01375.0000	21	03537.0000	5	21812.0013	17
00402.0001	13,17	01382.0000	5,11,15	03717.0000	11,15	22145.0000	13,19
00423.0000	13,17	01382.0002	5,11,15	03760.0001	7	22150.0001	17
00424.0000	13,19	01388.0000	21	03760.0002	7	22189.0000	13,19
00430.0001	17	01502.0000	11,15	03760.0003	7	22249.0000	11,17
00458.0001	17	01509.0000	21	03760.0004	7	22251.0000	5
00459.0000	11,15	01510.0000	21	03762.0001	5	22293.0000	13,19
00460.0000	13,17	01512.0000	21	03762.0008	5	22297.0000	7
00463.0000	11,15	01532.0000	11,15	03765.0001	5	22298.0000	17
00464.0001	11,15	01533.0000	21	03765.0002	5	22300.0750	11,15
00469.0001	13,17	01540.0000	13,17	03765.0003	5	23721.0000	11,17
00472.0001	13,19	01592.0000	11,15	03765.0005	5	23820.0000	13,15
00473.0001	13,19	01637.0000	21	03765.0006	5	24356.0750	11,15
00484.0001	13,17	01637.0006	21	03767.0000	5	24600.0000	7
00484.0002	17	01668.0000	23	03770.0000	5	25137.0001	5
00603.0000	21	01908.0000	21	03771.0001	5	25615.0000	7
00614.0000	21	02308.0000	5	03771.0002	5	25615.0002	7
00617.0000	23	02322.0002	5,7	03771.0003	5	24684.0000	13,19
00636.0000	21	02337.0002	9	03771.0004	5	26371.0000	7
00637.0000	21	02712.1000	7	03771.0006	5	26371.0001	7
00656.0000	7	03021.0005	25	03772.0000	5	27596.1750	13,17
00668.0000	5	03024.0005	21	03773.0000	5	28005.0000	11,15
00707.0000	21	03045.0000	9	03773.0001	5	28020.0000	11,15
00720.0000	21	03045.0003	9	04572.0000	13,17	28021.0000	11,15
00824.0000	21	03068.0001	9	04776.0001	23	28303.0000	21
00831.0000	7	03070.1000	9	04844.0000	9	28305.0000	21
00908.0000	9	03125.0000	9	05515.0000	9	28479.0000	11,15
00917.0000	5,7	03170.0000	19	05518.0000	9	28480.0000	11,15
00935.0000	13,17	03236.1000	13,17	05557.0000	9	28481.0000	11,15
00937.0000	21	03284.0000	25	05696.0000	9	29329.1000	9
00942.0000	9	03297.1000	9	05749.0001	7	29916.0000	25
00943.0000	9	03299.1000	9	07441.0000	11,15	32035.0000	5
00948.0000	13,17	03356.0001	21	10287.0000	5	32035.0001	5
00970.0000	5,11,15,19,21	03357.0003	21	10287.0001	5	32400.0000	23
01037.0003	25	03357.0004	21	10301.0000	23	32400.0001	23
01075.0000	9	03358.0001	21	10301.0003	23	32400.0002	21
01079.0000	11,15	03363.0000	5	10324.0000	5	32400.0003	21
01082.0000	9	03363.0001	5	11707.1000	11,15,17	32540.0000	7
01082.0003	9	03381.0002	5	11707.1001	17	32965.0000	25
01085.0000	15	03381.0010	5	12422.0000	11,15	34397.0000	13,19
01085.0002	11	03387.0000	9	12919.0008	21	34439.0000	25
01101.0000	15	03407.0002	25	12984.0006	21	34980.0000	13,19
01111.0002	11,15	03408.0000	25	13003.0000	11,15	35282.0001	25
01116.0000	11,15	03408.0002	25	20526.1750	13,17	35798.0000	13,19
01138.0000	11,15	03409.0000	25	20762.0000	23	36451.0001	23
01139.0000	11,15	03409.0002	25	21000.0074	23		
01154.0000	13,17	03423.0000	5	21000.0421	23		
01155.0000	13,17	03423.1005	5	21001.0098	23		
01201.0000	13,17	03423.1008	5	21003.0173	23		
01309.0000	21	03468.0000	9	21003.0174	23		
01315.0000	5,7,9	03470.0000	9	21016.0044	21		
01317.0003	5	03532.0000	13,17	21016.9004	23		
01327.0000	11,15	03533.0000	11,15	21016.9005	23		