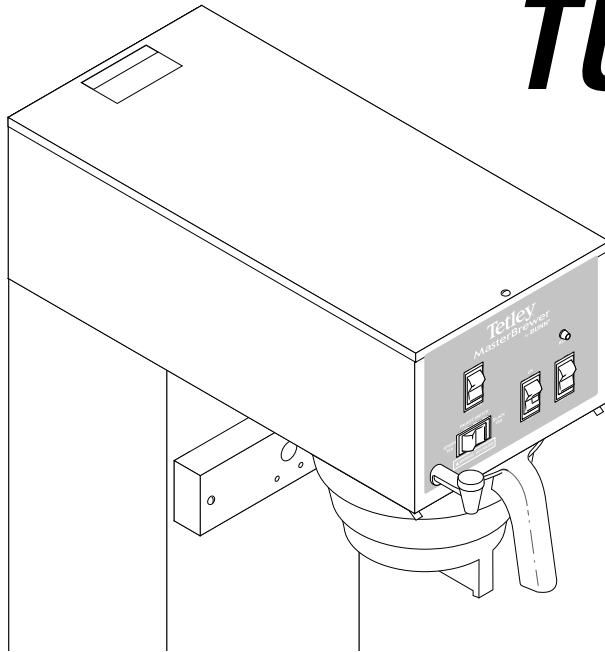
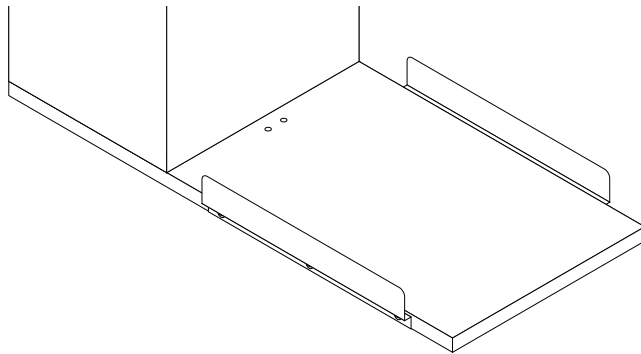


# BUNN®

## *TU3QF-EZ*



**DISCONTINUED VERSION**  
**Parts listed in this catalog**  
**may no longer be available.**



## **ILLUSTRATED PARTS CATALOG**

Designs, materials, weights, specifications, and dimensions for equipment or replacement parts are subject to change without notice.

**BUNN-O-MATIC CORPORATION**

**POST OFFICE BOX 3227**

**SPRINGFIELD, ILLINOIS 62708-3227**

**PHONE: (217) 529-6601 FAX: (217) 529-6644**