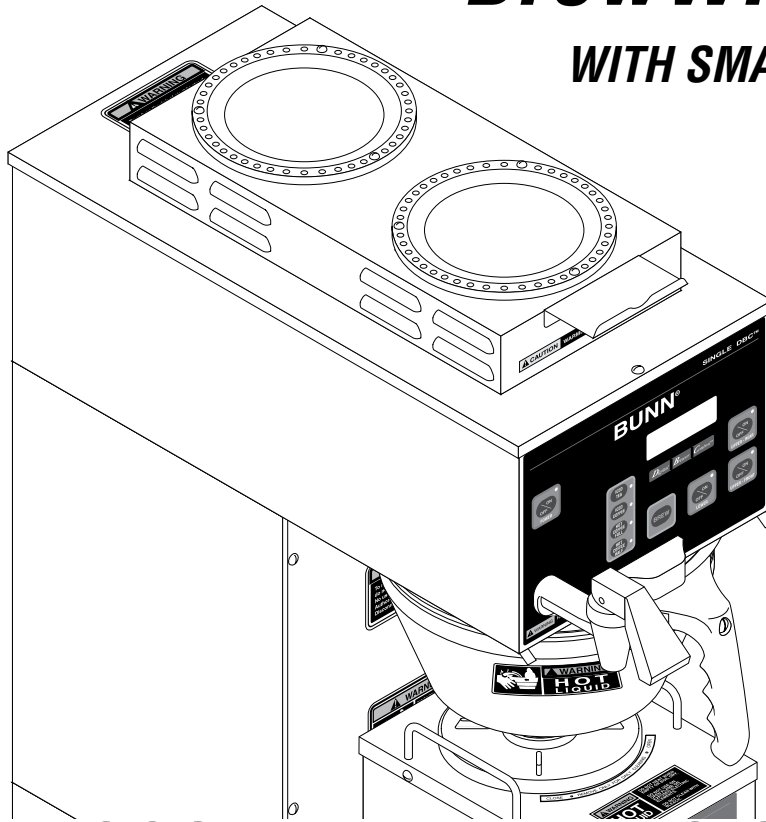


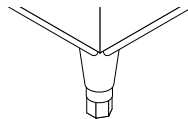
BUNN®

Single Multi- BrewWISE® DBC®

WITH SMART FUNNEL®



DISCONTINUED VERSION
Parts listed in this catalog
may no longer be available.



ILLUSTRATED PARTS CATALOG

Designs, materials, weights, specifications, and dimensions for equipment or replacement parts are subject to change without notice.

BUNN-O-MATIC CORPORATION

POST OFFICE BOX 3227

SPRINGFIELD, ILLINOIS 62708-3227

PHONE: (217) 529-6601 FAX: (217) 529-6644

BUNN-O-MATIC COMMERCIAL PRODUCT WARRANTY

Bunn-O-Matic Corp. ("BUNN") warrants equipment manufactured by it as follows:

- 1) All equipment other than as specified below: 2 years parts and 1 year labor.
- 2) Electronic circuit and/or control boards: parts and labor for 3 years.
- 3) Compressors on refrigeration equipment: 5 years parts and 1 year labor.
- 4) Grinding burrs on coffee grinding equipment to grind coffee to meet original factory screen sieve analysis: parts and labor for 3 years or 30,000 pounds of coffee, whichever comes first.

These warranty periods run from the date of installation BUNN warrants that the equipment manufactured by it will be commercially free of defects in material and workmanship existing at the time of manufacture and appearing within the applicable warranty period. This warranty does not apply to any equipment, component or part that was not manufactured by BUNN or that, in BUNN's judgment, has been affected by misuse, neglect, alteration, improper installation or operation, improper maintenance or repair, damage or casualty. This warranty is conditioned on the Buyer 1) giving BUNN prompt notice of any claim to be made under this warranty by telephone at (217) 529-6601 or by writing to Post Office Box 3227, Springfield, Illinois 62708-3227; 2) if requested by BUNN, shipping the defective equipment prepaid to an authorized BUNN service location; and 3) receiving prior authorization from BUNN that the defective equipment is under warranty.

THE FOREGOING WARRANTY IS EXCLUSIVE AND IS IN LIEU OF ANY OTHER WARRANTY, WRITTEN OR ORAL, EXPRESS OR IMPLIED, INCLUDING, BUT NOT LIMITED TO, ANY IMPLIED WARRANTY OF EITHER MERCHANTABILITY OR FITNESS FOR A PARTICULAR PURPOSE. The agents, dealers or employees of BUNN are not authorized to make modifications to this warranty or to make additional warranties that are binding on BUNN. Accordingly, statements by such individuals, whether oral or written, do not constitute warranties and should not be relied upon.

If BUNN determines in its sole discretion that the equipment does not conform to the warranty, BUNN, at its exclusive option while the equipment is under warranty, shall either 1) provide at no charge replacement parts and/or labor (during the applicable parts and labor warranty periods specified above) to repair the defective components, provided that this repair is done by a BUNN Authorized Service Representative; or 2) shall replace the equipment or refund the purchase price for the equipment.

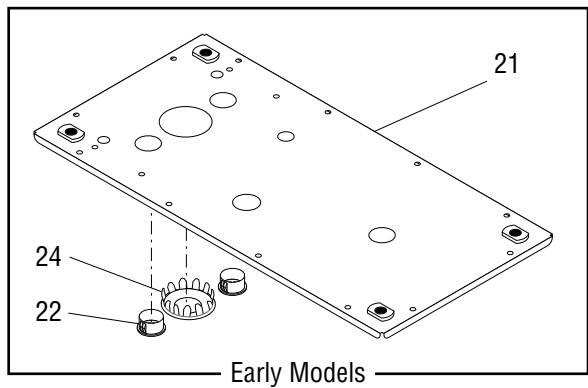
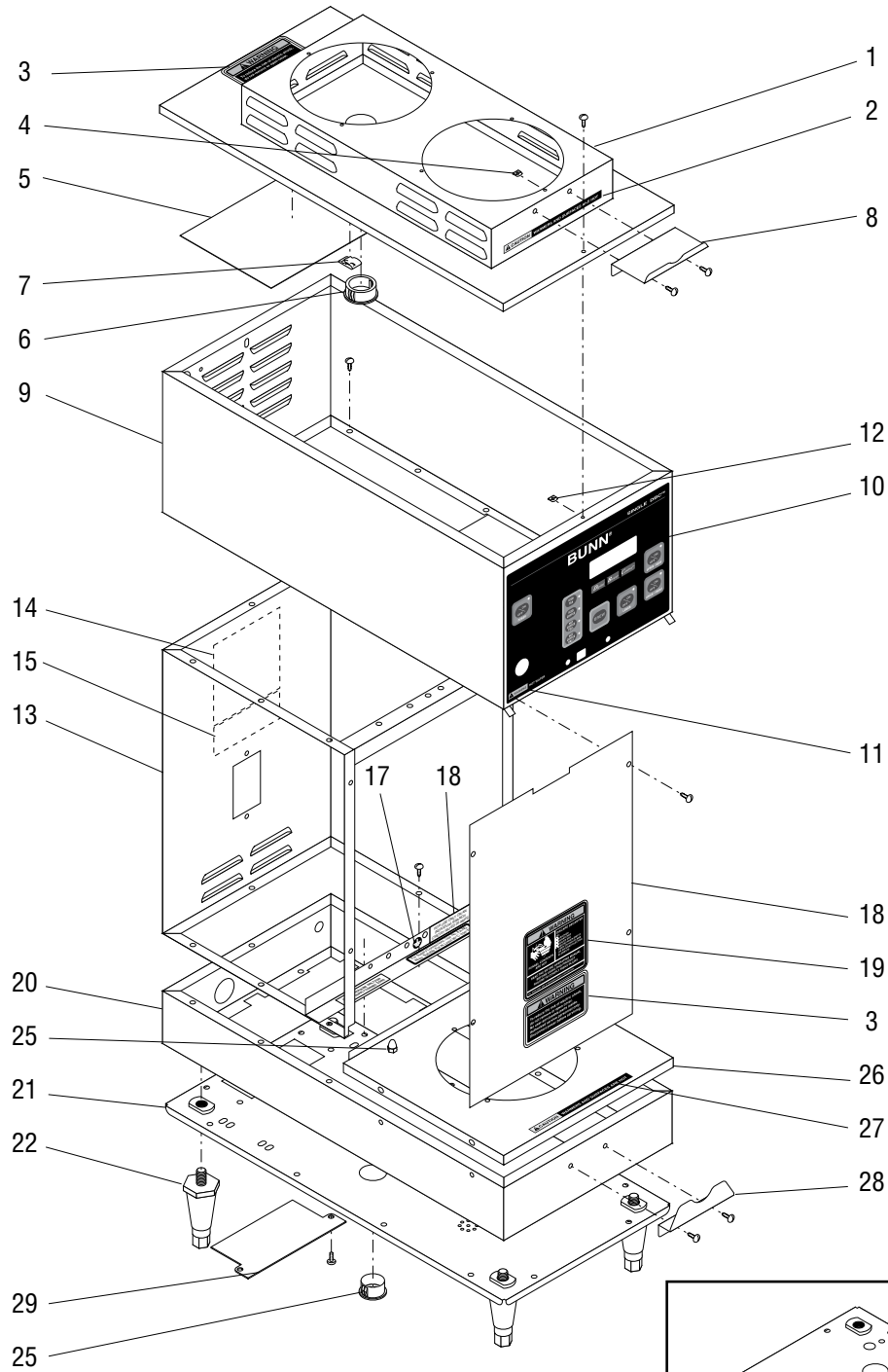
THE BUYER'S REMEDY AGAINST BUNN FOR THE BREACH OF ANY OBLIGATION ARISING OUT OF THE SALE OF THIS EQUIPMENT, WHETHER DERIVED FROM WARRANTY OR OTHERWISE, SHALL BE LIMITED, AT BUNN'S SOLE OPTION AS SPECIFIED HEREIN, TO REPAIR, REPLACEMENT OR REFUND.

In no event shall BUNN be liable for any other damage or loss, including, but not limited to, lost profits, lost sales, loss of use of equipment, claims of Buyer's customers, cost of capital, cost of down time, cost of substitute equipment, facilities or services, or any other special, incidental or consequential damages.

BrewWISE, BUNN Gourmet Ice, BUNN Pour-O-Matic, BUNN, Bunn-OMatic, Bunn-O-Matic, BUNNlink, BUNNserve, BUNN Espresso, DBC, Dr. Brew, Dual, EasyClear, EasyGard, Easy Pour, FlavorGard, Gourmet Ice, Gourmet Juice, High Intensity, IMIX, Infusion Series, Legendary for Quality, The Mark of Quality in Beverage Equipment Worldwide, My Café, PowerLogic, Safety-Fresh, Scale-Pro, Single, Smart Funnel, Smart Hopper, Soft Heat, SplashGard, System III, ThermoFresh, 392, AXIOM, Beverage Profit Calculator, Beverage Bar Creator, BrewLOGIC, BrewMETER, BrewWIZARD, BUNNSERVE, BUNNsource, Coffee At Its Best, Cool Froth, Digital Brewer Control, Intellisteam, Nothing Brews Like a BUNN, Pouring Profits, Pulse Wave, Quality Beverage Equipment Worldwide, Signature Series, Silver Series, Smart Heat, SmartWAVE, Tea At Its Best, The Horizontal Red Line, Titan, Ultra, are either trademarks or registered trademarks of Bunn-O-Matic Corporation.

TABLE OF CONTENTS

Base - Trunk - Hood - Covers & Panels	4
Dilution Valve & Lines	14
Dispense Valve and Sprayhead.....	16
Electrical Controls	20
Faucet.....	18
Funnel.....	26
Numerical Index	28
Strainer/Flow Control, Tank Drain & Lines.....	12
Tank and Mounting Brackets	10
Tank Heater & Overflow Protection Devices	8
Warmers.....	24



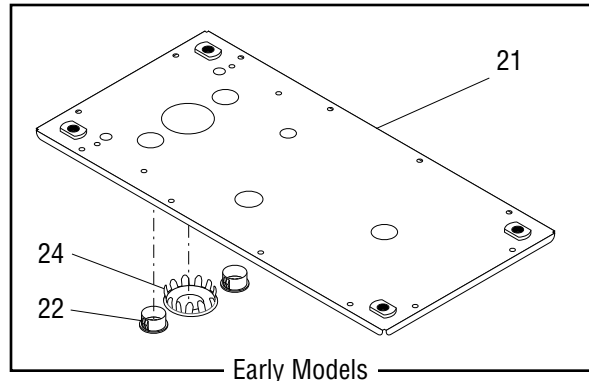
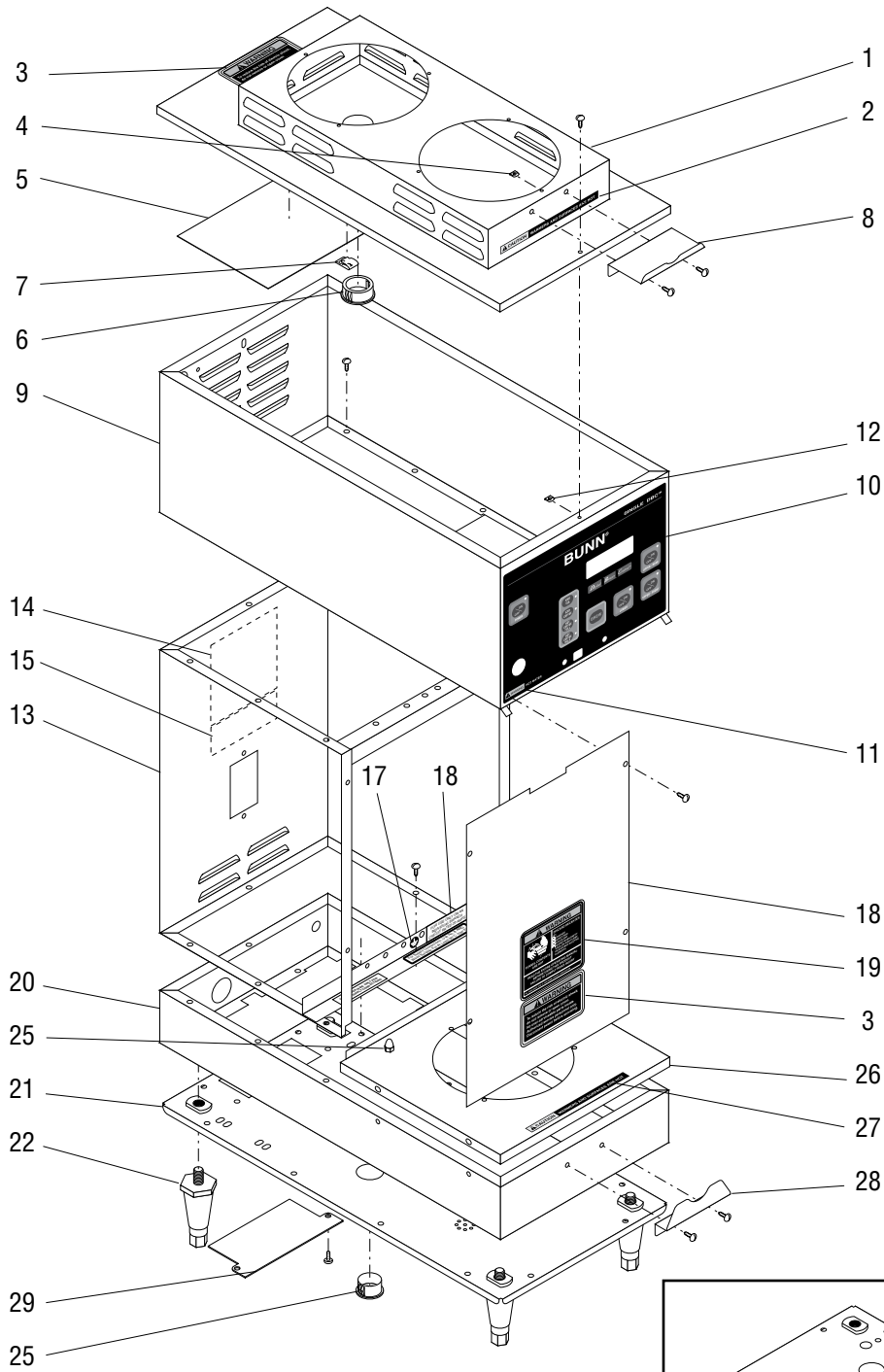
Early Models

BASE - TRUNK - HOOD - COVERS & PANELS

ITEM	PART NO.	QTY.	DESCRIPTION
1	25312.0009*	1	Cover, Top Warmer (Not available)
	02336.0000	1	Screw, Truss Head #4-40 x .38"
2	12364.0000	1	Decal, Caution - Warmers Are Hot
3	37881.0000	2	Decal, Warning - "No Serviceable Parts"
4	00916.0000	6	Fastener
5	25151.0000	1	Shield (Early models)
6	01592.0001	1	Bushing, Snap
7	28382.0000	1	Clip, Cable
8	21104.0005	1	Server Stop
	01382.0003	2	Screw, Truss Head #6-32 x .38"
9	36404.0000*	1	Hood (Not available)
	02308.0000	7	Screw, Pan Head #8-32 x .38"
10	29903.0001	1	Membrane Switch
11	20201.5600	1	Decal, Warning - Hot Water
12	00916.0000	1	Fastener
13	22981.0002*	1	Trunk (Not available)
	02308.0000	7	Screw, Pan Head #8-32 x .38"
14	00831.0000	1	Decal, Warning - Electrical
15	00656.0000	1	Decal, Comply to Plumbing Code
16	00824.0000*	1	Decal, Ground
17	00985.0000	1	Decal, Individual Circuit Info
18	22987.0002	1	Cover (Also order items 3 & 19)
	01382.0003	4	Screw, Truss Head #6-32 x .38"
19	00658.0000	1	Decal, Caution - Decanter/Funnel
20	28592.0003*	1	Base (Not available)
21	22979.0002*	1	Cover, Bottom (Early models. Order late model cover)
	22979.0003	1	Cover, Bottom (Late models)
	02308.0000	12	Screw, Pan Head #8-32 x .38"
22	03354.0000	4	Leg, Adjustable (See item 31)
23	03011.0000	1	Plug, Vented 1.0" Dia. (3 additional used on early models)
24	00619.0008	1	Plug, Hole 2.0" Dia. (Early models)
25	02324.0000	2	Nut, Acorn
	01311.0000	2	Screw, Truss Head #8-32 x .25"

(Continued)

* Indicates the part number listed is for reference only. See DESCRIPTION for possible service replacement.

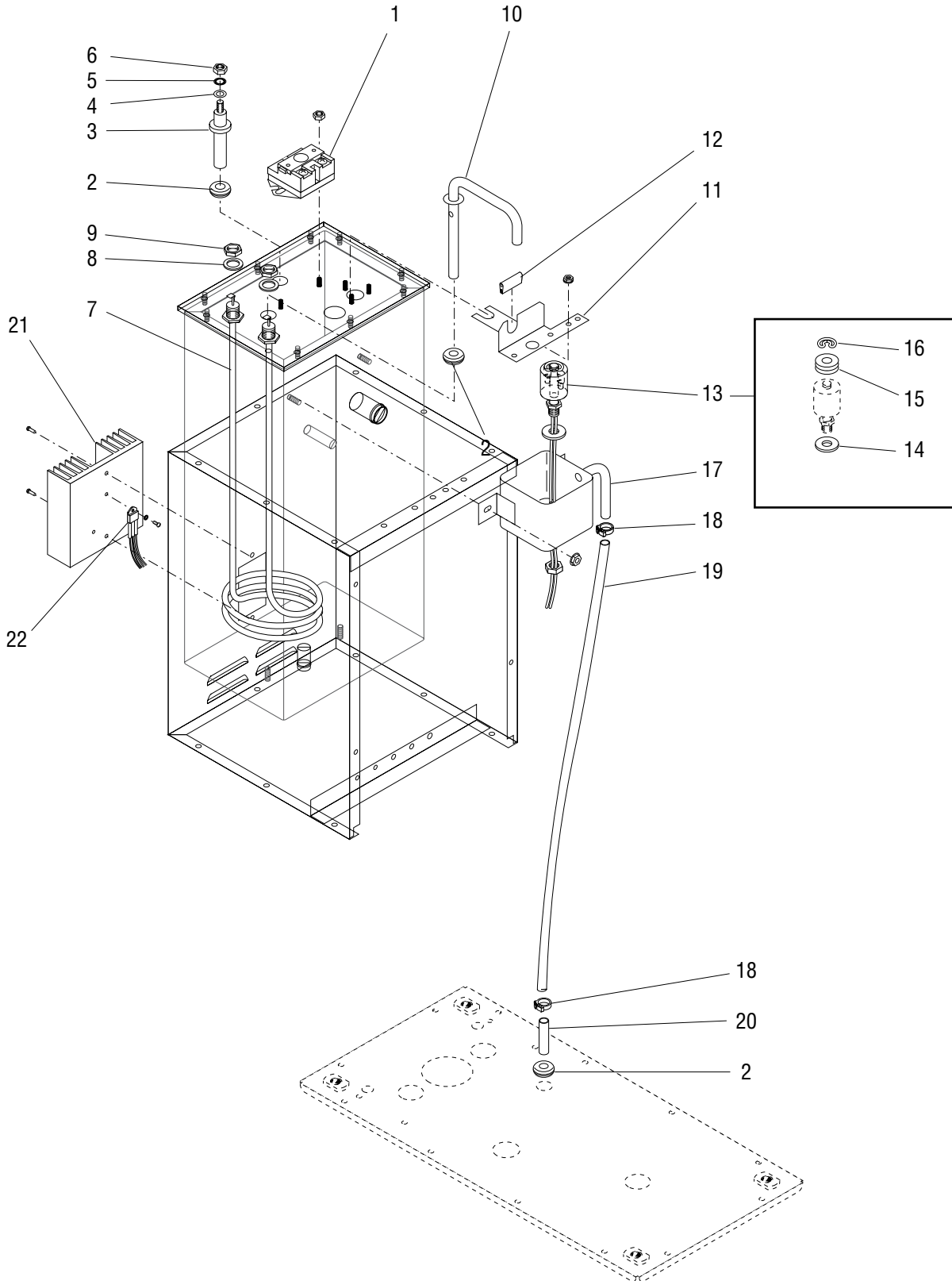


Early Models

BASE - TRUNK - HOOD - COVERS & PANELS

ITEM	PART NO.	QTY.	DESCRIPTION
26	21511.0004*	1	Cover, Lower Warmer (not available)
27	12364.0000	1	Decal, Caution - Warmers Are Hot
28	21104.0003	1	Server Stop
	01382.0003	2	Screw, Truss Head #6-32 x .38"
29	37766.0000	1	Panel, Access
	02308.0000	2	Screw, Truss Head #8-32 x .38" } Late models
30	03993.0000	4	Pad, Anti Skid
31	13255.0006	-	Kit, Adjustable Leg (Includes 4 each of items 22 & 30)

* Indicates the part number listed is for reference only. See DESCRIPTION for possible service replacement.

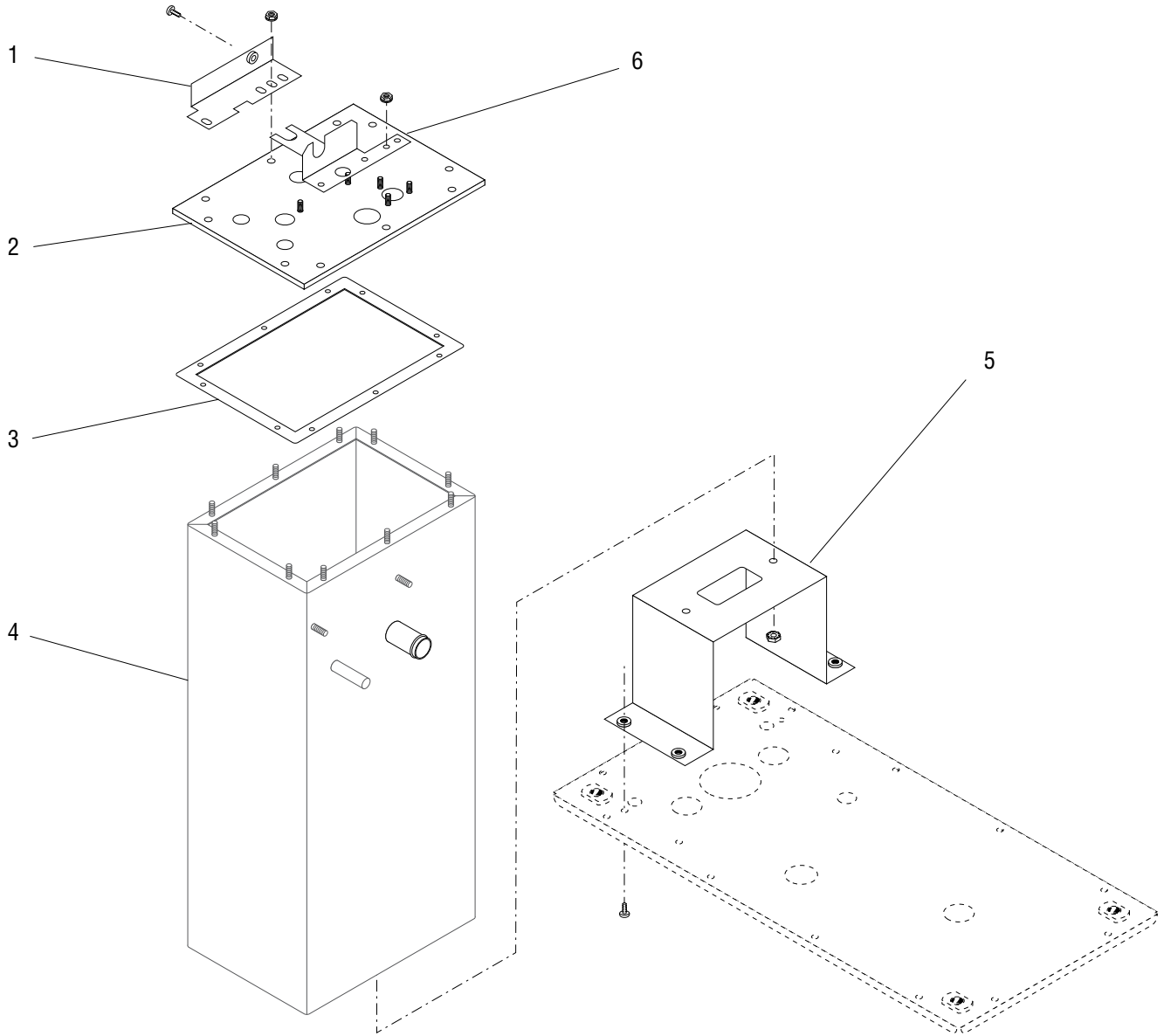


TANK HEATER & OVERFLOW PROTECTION DEVICES

ITEM	PART NO.	QTY.	DESCRIPTION
1	23717.0003	1	Thermostat, Limit
	00908.0000	2	Nut, Hex #8 - 32
2	02536.0000	3	Grommet, Probe
3	20936.1000	1	Probe Kit (Includes items 4, 5 & 6)
4	01501.0000	1	Washer .164" I.D. x .375" O.D.
5	20203.0100	1	Lockwasher, Internal Tooth #8
6	00908.0000	1	Nut, Hex #8 - 32
7	20201.6350	1	Tank Heater 3500W @ 208V (Includes item 8)
	20201.0750	1	Tank Heater 3500W @ 240V (Includes item 8)
8	00943.0000	2	Gasket, Tank Heater
9	00942.0000	2	Nut, Hex .50"-20
10	26622.0001	1	Tube Assy, Vent
11	27473.0000	1	Bracket, Vent Tube
12	02434.0010*	1	U-Channel 2.0" (Order item 25)
13	03803.0001	1	Switch Assy, Liquid Level, 200V (Includes items 14, 15 & 16)
	00946.0000	1	Nut, Hex .125" FPT
14	03633.0000	1	Gasket, Float Switch
15	-----	3	Washer, Adjusting (DO NOT USE IN THIS APPLICATION)
16	03807.0000	1	Clip, Spring
17	22728.0000	1	Overflow Cup Assy
	00971.0000	2	Nut, Keps #10-32
18	12422.0000	2	Clamp, Hose .47"/.54" I.D.
19	03236.0026*	1	Tube, Silicone .312" I.D. x 19.25" (Order item 24)
20	21801.0002	1	Tube .375" O.D. x 1.50" LG
21	20541.0001	1	Heat Sink, Aluminum
	01382.0007	2	Screw, Truss Head Blk #6-32 x .38" Locking
22	12565.0015	1	Triac Assy, 40 Amp (200V)
	12565.0019	1	Triac Assy, 40 Amp (230V)
	02328.0003	1	Screw, Pan Head #6-32 x .312"
	01520.0000	1	Lockwasher #6
23	M2522.1000	-	Heat Sink Compound
24	03236.1001	-	Tube, Silicone .312" I.D. x 36.0"
	03236.1003	-	Tube, Silicone .312" I.D. x 60.0"
	03236.1002	-	Tube, Silicone .312" I.D. x 120"
25	02434.1000	-	U-Channel 18.0" (Use as required)

} Not illustrated

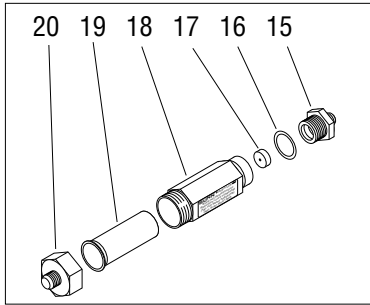
* Indicates the part number listed is for reference only. See DESCRIPTION for possible service replacement.



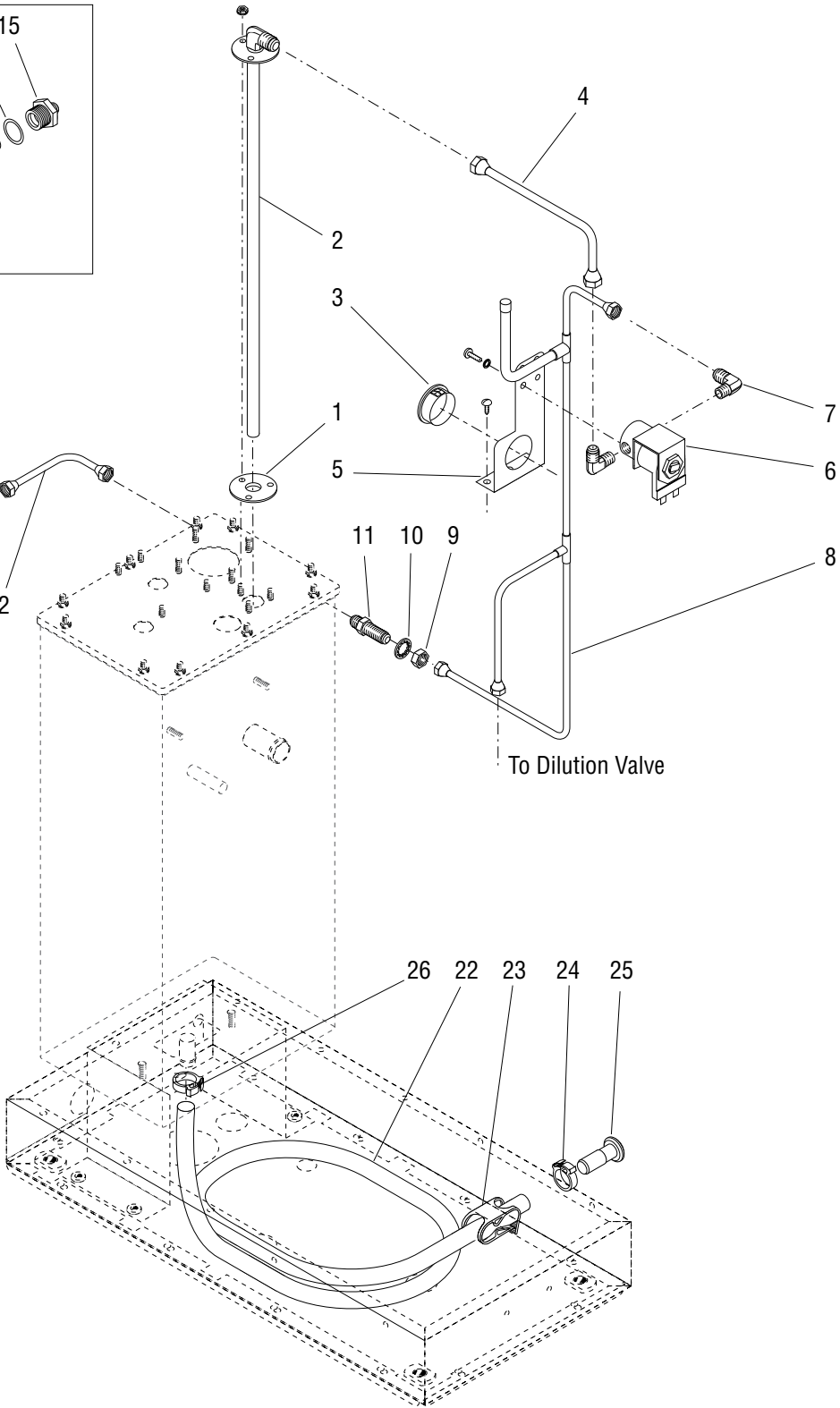
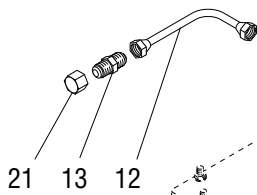
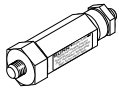
TANK AND MOUNTING BRACKETS

ITEM	PART NO.	QTY.	DESCRIPTION
1	28909.0000	1	Bracket, Tank Support
	02308.0000	1	Screw, Pan Head #8 - 32 x .38"
	00908.0000	2	Nut, Hex #8 - 32
2	22976.0002	1	Lid, Tank
	00908.0000	10	Nut, Hex #8 - 32
3	22978.0000	1	Gasket, Tank
4	22960.0002	1	Tank Assy
5	23193.0002	1	Bracket, Tank Mounting
	00971.0000	2	Nut, Keps #10 - 32
	02308.0000	4	Screw, Pan Head #8 - 32 x .375"
6	-----	1	Bracket, Vent Tube (See TANK HEATER & OVERFLOW PROTECTION)

* Indicates the part number listed is for reference only. See DESCRIPTION for possible service replacement.



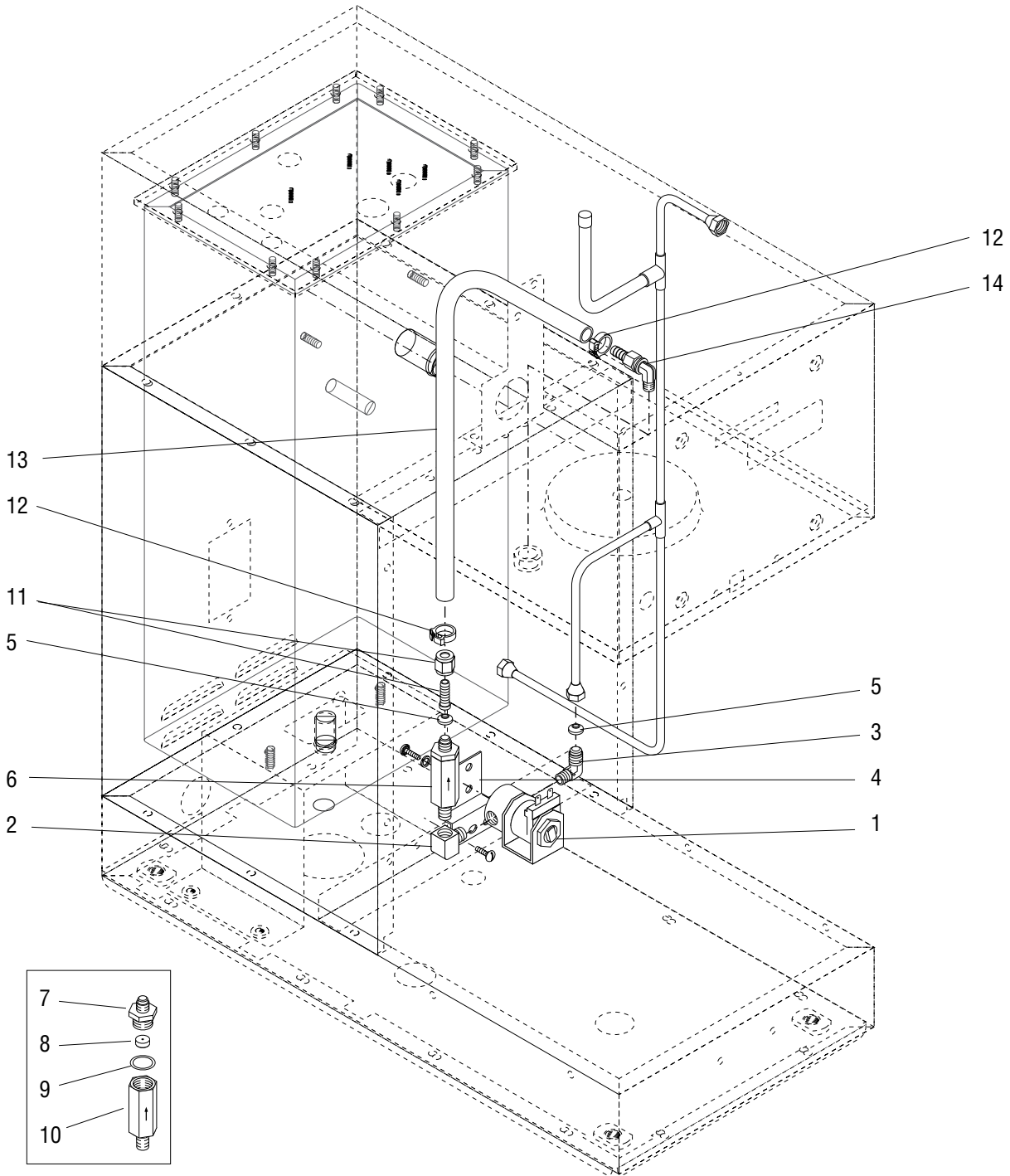
14



STRAINER/FLOW CONTROL - TANK DRAIN AND LINES

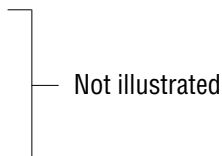
ITEM	PART NO.	QTY.	DESCRIPTION
1	05515.0000	1	Gasket, Fill Tube
2	22992.0003	1	Tube, Tank Fill
	00908.0000	3	Nut, Hex #8 - 32
3	01592.0001	1	Bushing, Snap 1.88" Dia. Hole
4	21812.0007	1	Tube Assy, Solenoid to Tank (Includes Nuts)
5	37753.0000	1	Bracket
	02308.0000	2	Screw, Pan Head #8 - 32 x .375"
6	21180.0000	1	Solenoid Valve Assy 200V (Refer to item 27)
	01975.0000	1	Solenoid Valve Assy 240V (Refer to item 27)
	01327.0000	2	Screw, Pan Head #10 - 32 x .38"
	01502.0000	2	Lockwasher, Split #10
7	00400.0001	2	Elbow, Male .25" Flare x .125" MPT
8	37283.0000	1	Tube Assy
9	00463.0000	1	Nut, Hex .438" - 20
10	01532.0000	1	Lockwasher, Internal Tooth .438" I.D.
11	00459.0000	1	Bulkhead Fitting .25" Flare
12	00310.0002	1	Tube Assy, Bulkhead to Supply
13	00436.0001	1	Union .25" Male Flare
14	22300.0500	1	Strainer/Flow Control Assy (Includes items 15 thru 20)
15	01154.0000	1	Flow Control Outlet
16	01155.0000	1	Flow Control Gasket
17	20526.1500	1	Flow Washer & Gasket .500 GPM (Includes item 16)
18	-----	1	Body (Not available order item 14)
19	23721.0000	1	Screen
20	22249.0000	1	End Cap
21	00935.0000	1	Cap (For shipping purposes only)
22	32591.0011	1	Tube, Silicone .50" ID x 36" (Order item 28)
23	11630.0001	1	Clamp, Shut Off
24	12422.0009	2	Clamp .71"/.80"
25	35086.0000	1	Plug
26	29421.0000	1	Clamp .625"/.75"
27	01111.0000	-	Solenoid Valve Repair Kit 200V
28	32591.1002	-	Tube, Silicone .50" ID x 36" (Use as required)

* Indicates the part number listed is for reference only. See DESCRIPTION for possible service replacement.



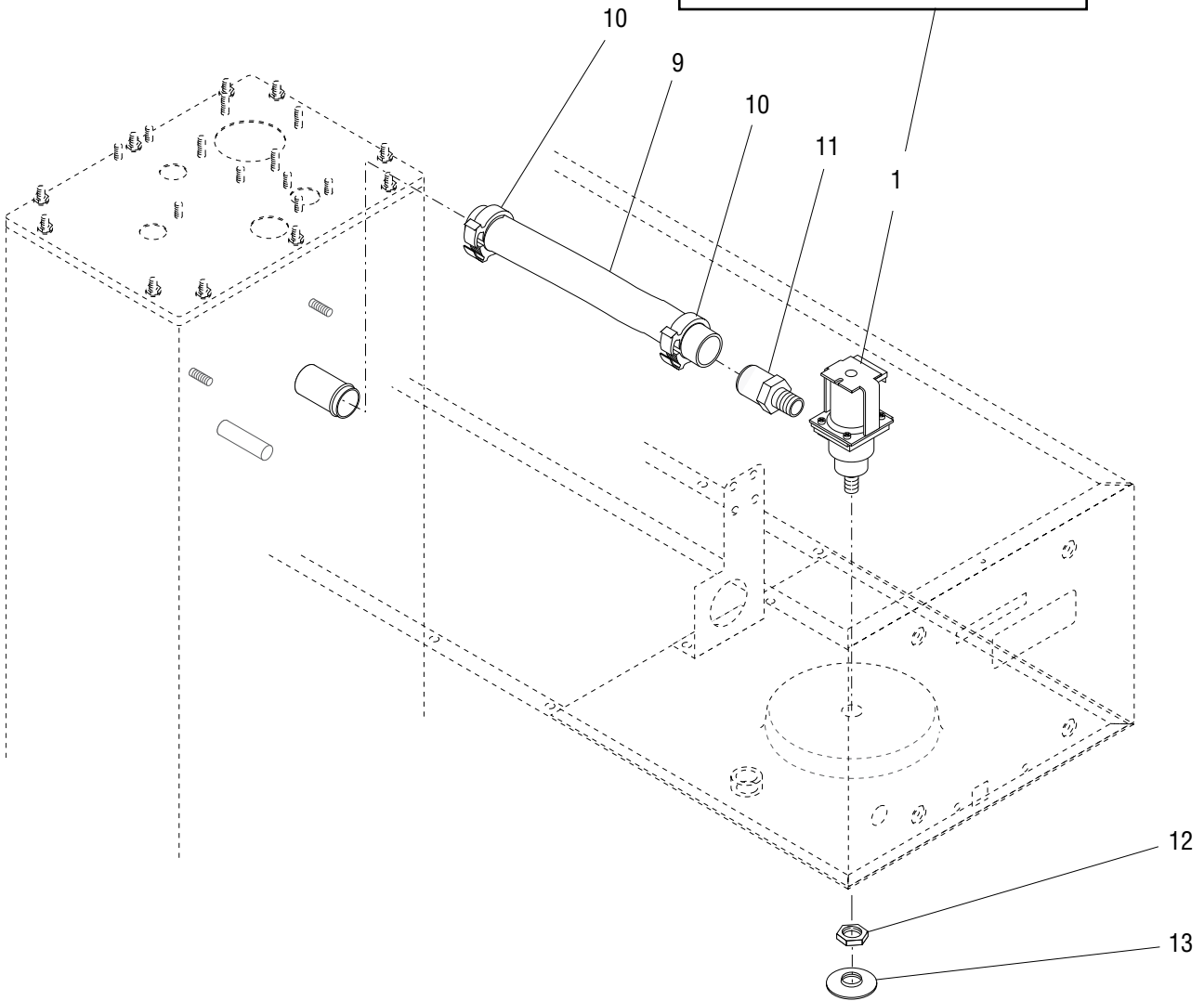
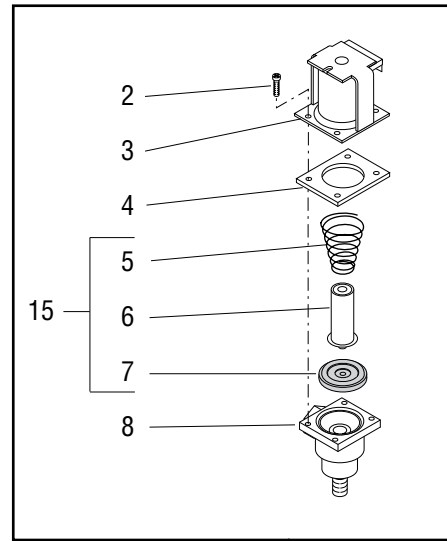
DILUTION VALVE & LINES

ITEM	PART NO.	QTY.	DESCRIPTION
1	21180.0000	1	Solenoid Valve Assy 200V (Refer to item 16)
	01975.0000	1	Solenoid Valve Assy 240V (Refer to item 16)
	01327.0000	2	Screw, Pan Head #10 - 32 x .375"
	01502.0000	2	Lockwasher, Split #10
2	00432.0001	1	Elbow .125" NPT Male/Female
3	00400.0001	1	Elbow, Male .25" Flare x .125" MPT
4	20201.4301	1	Bracket, Solenoid Mounting
	02308.0000	2	Screw, Pan head #8-32 x .375"
5	33149.0001	2	Gasket
6	20528.1195	1	Flow Control Assembly (.195 GPM) (Includes items 7 thru 10)
7	01154.0001	1	Fitting, Flow Control Outlet
8	01155.0000	1	Gasket, Flow Control
9	20526.1195	1	Flow Washer/Gasket Kit (.195 GPM) (Includes item 8)
10	20527.0001*	1	Body, Flow Control (Not Serviced. Order item 6)
11	00425.1000	1	Fitting, Swivelnut .25" Barb, Female Flare
12	12422.0001	2	Clamp, Hose .59"/.66" I.D.
13	11707.0015*	1	Tube, Silicone .25" I.D. x 15.0" (Order item 15)
14	32648.0000	1	Elbow Assy
15	11707.1000	-	Tube, Silicone .25" I.D. x 12.0"
	11707.1001	-	Tube, Silicone .25" I.D. x 36.0"
	11707.1002	-	Tube, Silicone .25" I.D. x 120.0"
16	01111.0000	-	Solenoid Valve Repair Kit



 Not illustrated

* Indicates the part number listed is for reference only. See DESCRIPTION for possible service replacement.



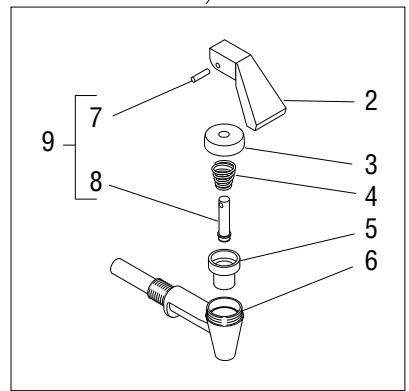
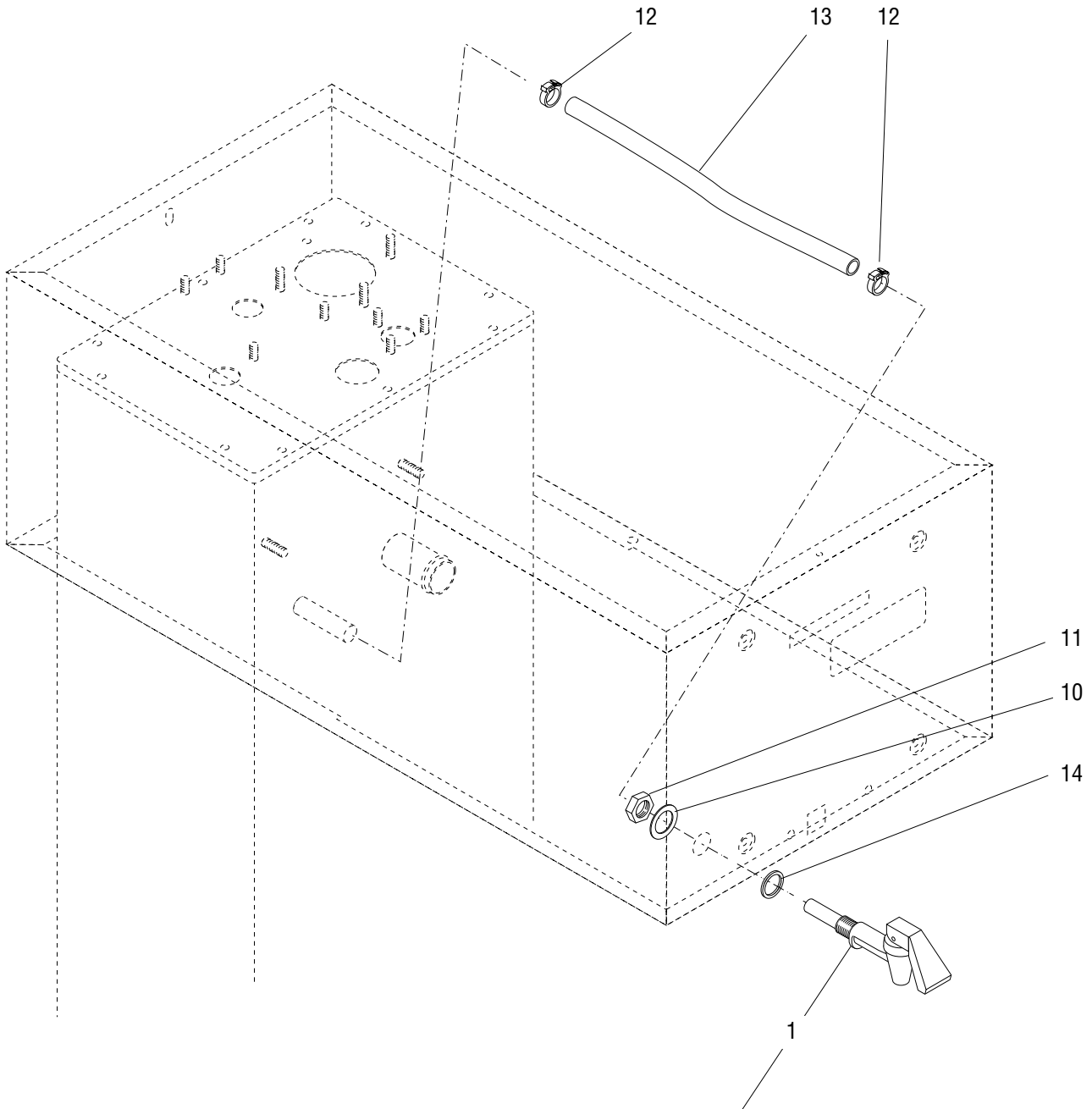
P3277

DISPENSE VALVE AND SPRAYHEAD

ITEM	PART NO.	QTY.	DESCRIPTION
1	26846.0001	1	Valve Assy, Sprayhead 200V (Includes items 2 thru 8)
	26846.0002	1	Valve Assy, Sprayhead 240V (Includes items 2 thru 8)
2	23254.0000	4	Screw #8 - 32
3	22305.0003	1	Coil Assy, Dispensing Valve 200V
4	23256.0000	1	Spacer Plate
5	-----	1	Spring (Not available order item 15)
6	-----	1	Plunger (Not available order item 15)
7	23255.0000	1	Diaphragm
8	-----	1	Body (Not available order item 1)
9	35052.0000*	1	Tube, Silicone .75" I.D. x 6.25" (Order item 14)
10	12422.0008	2	Clamp, Hose .93"/1.10" I. D.
11	34956.0000	1	Fitting .75" ID Hose, .25" MPT
12	01075.0000	1	Nut, Hex .438" - 20
13	01082.0003	1	Sprayhead 7-hole
14	35052.1000	-	Tube, Silicone .75" I.D. x 12.0"
15	11517.0008	-	Valve Repair Kit (Includes one each of items 5, 6 & 7)

} Not illustrated

* Indicates the part number listed is for reference only. See DESCRIPTION for possible service replacement.



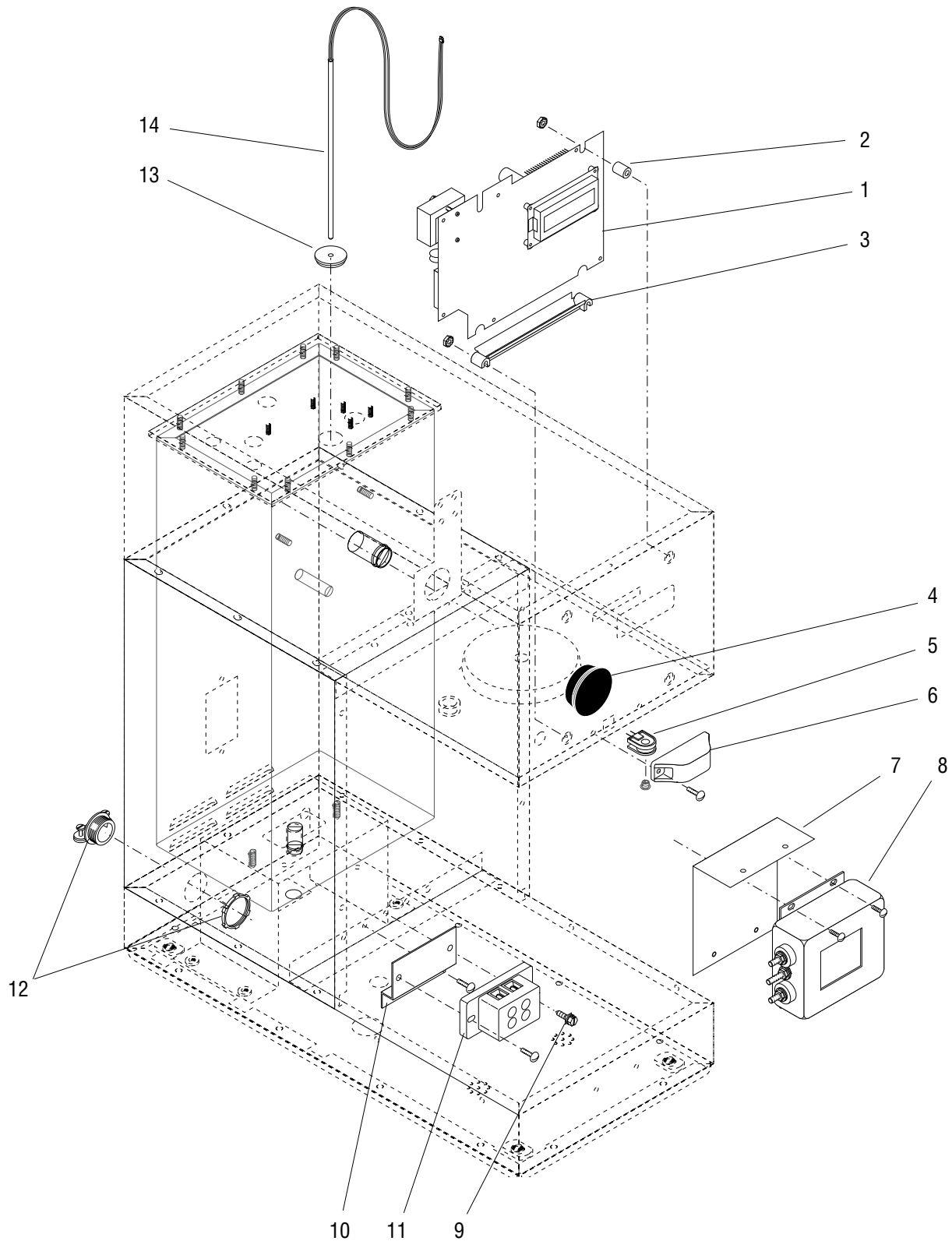
P3278

FAUCET

ITEM	PART NO.	QTY.	DESCRIPTION
1	29075.0000	1	Faucet Assy (Includes items 2 thru 8)
2	02861.0003	1	Handle, Red
3	02854.0000	1	Bonnet
4	02595.0000	1	Spring
5	02766.0000	1	Cup
6	-----	1	Body (Order item 1)
7	02858.0000	1	Pin, Spring
8	13054.0000	1	Stem
9	02594.0000	1	Faucet Stem w/Pin (Includes items 7 and 8)
10	01544.0000	1	Washer
11	29264.0000	1	Nut
12	12422.0001	2	Clamp, Hose-Snap Type .59-.66"ID
13	20976.0076*	1	Tube .38" ID x 12.0" (Order item 15)
14	41184.0000	1	Washer, .57" I.D. x .72" O.D. x .048" (Late models)
15	20976.1000	-	Tube, Silicone .375" I.D. x 12.0"
	20976.1001	-	Tube, Silicone .375" I.D. x 36.0"
	20976.1002	-	Tube, Silicone .375" I.D. x 120.0"
16	M2517.0000	-	Sealant, Pipe 6 ml

} Not Illustrated

* Indicates the part number listed is for reference only. See DESCRIPTION for possible service replacement.

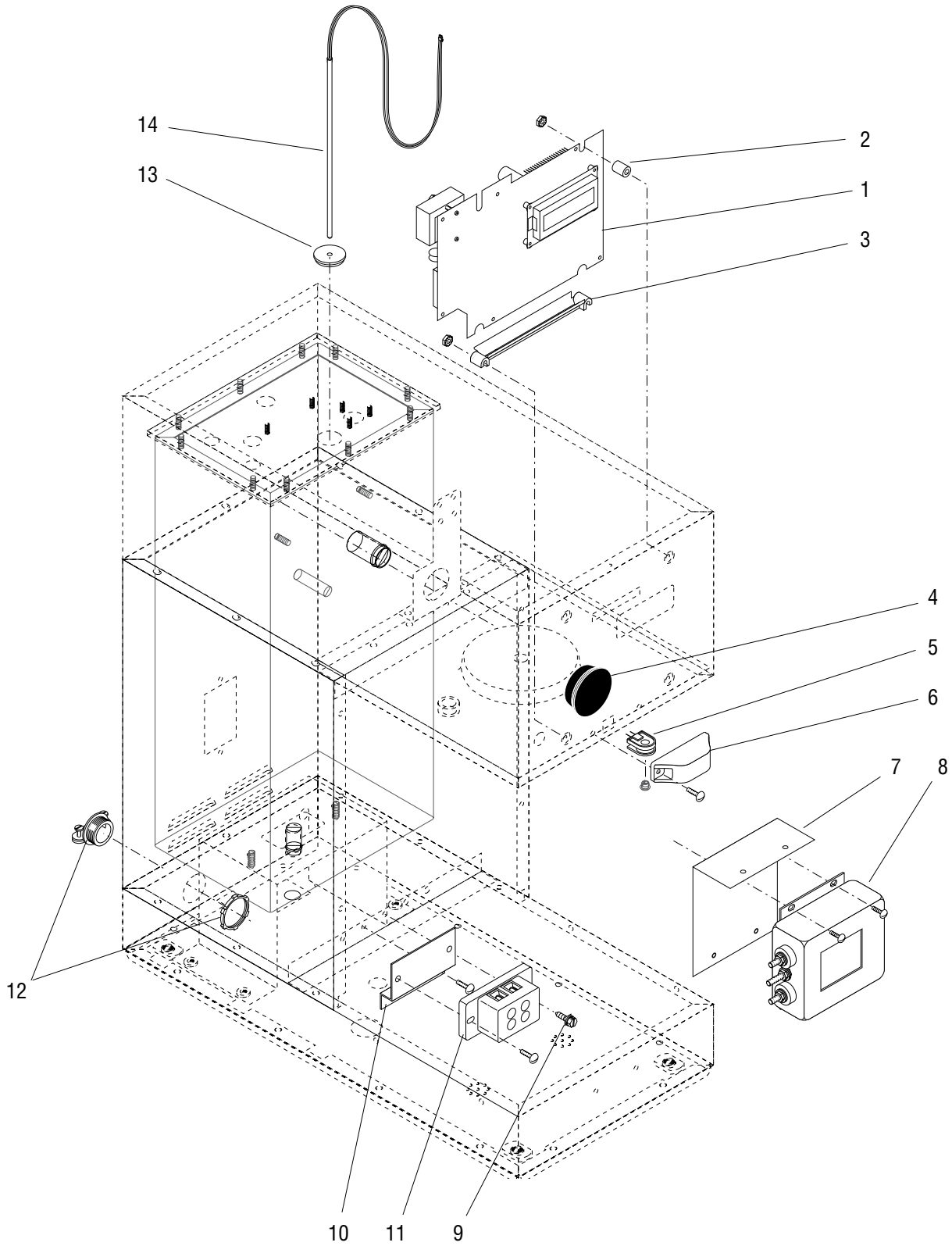


ELECTRICAL CONTROLS

ITEM	PART NO.	QTY.	DESCRIPTION
1	29969.1017	1	Circuit Board, Main Control 200V
	38358.1005	1	Circuit Board, Main control 200V ROHS (Brewer Product #37200.0001)
	00973.0000	2	Nut, Keps #6-32
2	01533.0006	2	Spacer
3	29970.0000	1	Mount, Circuit Board
	00973.0000	2	Nut, Keps #6-32
4	32018.0000	1	Bumper
5	32572.1000	1	Sensing Coil, Brewer (Includes plug below) (200V models)
	32572.1001	1	Sensing Coil, Brewer (Includes plug below) (230V models)
	20621.0000	1	Plug, hole .203" Dia.
6	32573.0000	1	Cover, Sensing Coil
	01382.0007	2	Screw, Truss Head #6-32 x .38"
7	36885.0000	1	Bracket
8	29446.0002	1	EMI Filter, 30 AMP
	29446.0003	1	EMI Filter, 20 AMP
	01347.0000	4	Screw, Truss Head #6-32 x .625"
9	01309.0000	1	Ground Screw W/Terminal Washer #10-32 x .50"
10	23004.0000	1	Bracket, Terminal Block Mounting
	02308.0000	2	Screw, Pan Head #8-32 x .38"
11	01106.0003	1	Terminal Block, 2 Pole
	01317.0000	2	Screw, Truss Head #8-32 x .50"
12	01590.0000	1	Connector, Cable
13	12570.0000	1	Grommet, Temperature Sensor
14	29327.0000	1	Probe Kit, Temperature/Dry Plug
15	29499.1001	2	Solenoid Assy 200/230V (Includes items 16 thru 23)
	00970.0000	4	Nut, Keps #8-32
16	29494.0000	2	Pin, Funnel Stop
17	28897.0000	2	Spring, Compression
18	29504.0001	2	Shoulder Screw
19	26247.0001	2	Pin, Spring
20	29504.0000	2	Shoulder Screw
	00991.0000	2	Nut, Elastic Lock #8-32
21	29493.0000	2	Lever
22	29503.0000	2	Coil, Solenoid 120/208V & 120/240V
	29503.0001	2	Coil, Solenoid 200/230V
	33613.0000	4	Screw, Truss Head #8-32 x .25"

(continued)

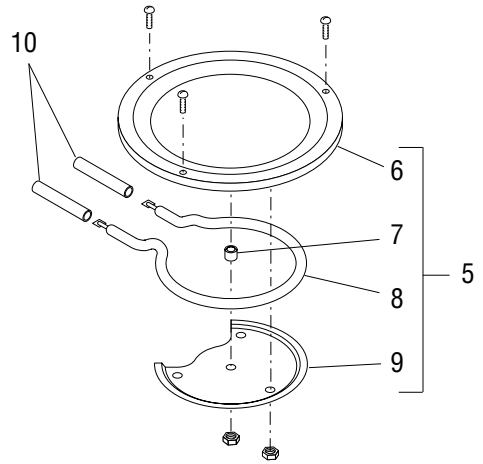
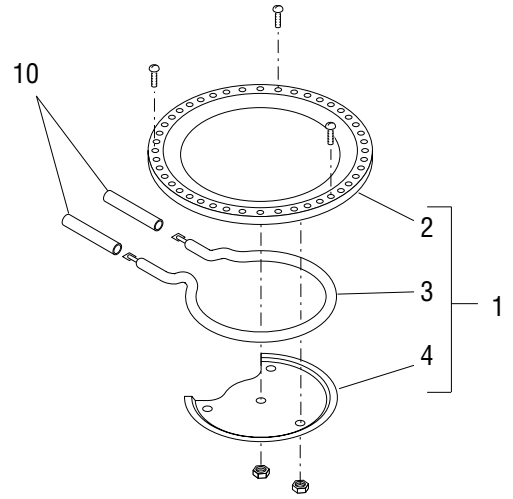
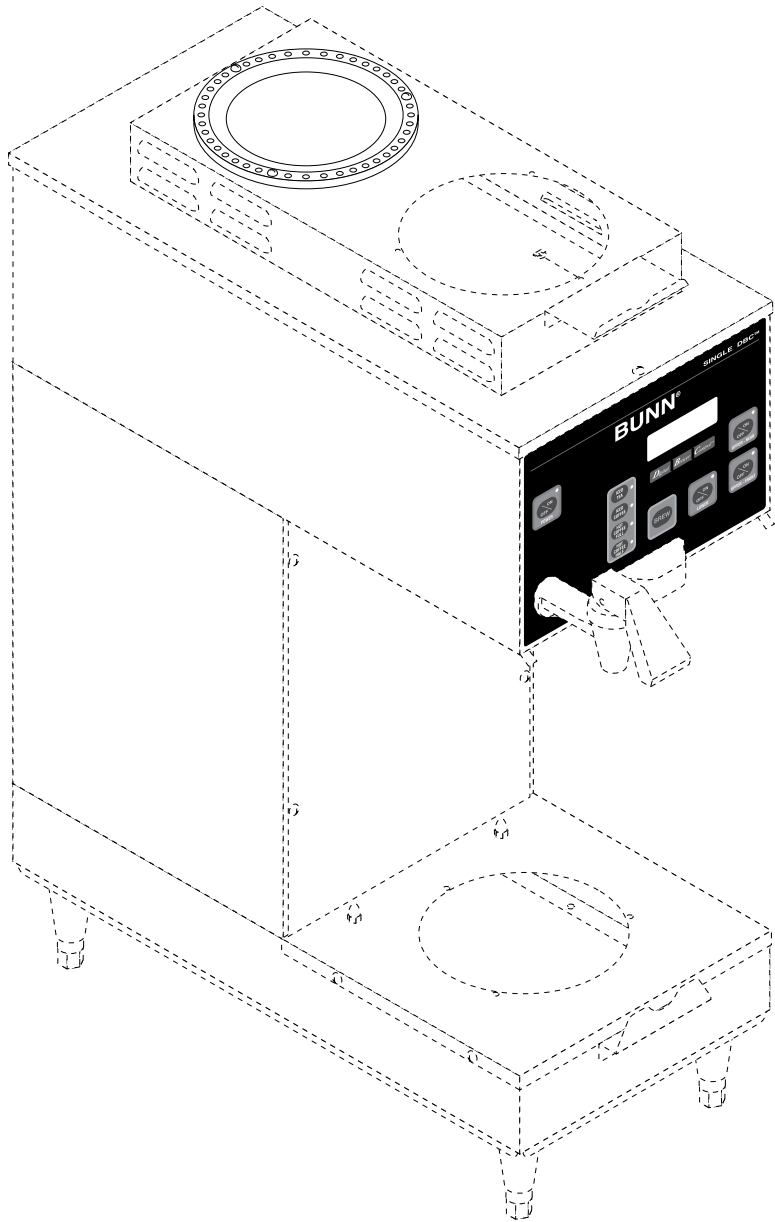
* Indicates the part number listed is for reference only. See DESCRIPTION for possible service replacement.



ELECTRICAL CONTROLS

ITEM	PART NO.	QTY.	DESCRIPTION
23	29492.0000	2	Bracket, Solenoid
24	29495.0000	2	Guide, Pin
Note: The following parts are not illustrated			
25	32647.0002	1	Wiring Harness, Main 200V
	32647.0006	1	Wiring Harness, Main 230V
26	24204.0001	1	Wiring Harness, Upper Warmer
27	03851.0000	2	Wire Nut (Not used on 230V Models)
28	34707.0000	1	Wiring Harness, EMI Filter to Terminal Block
29	32832.0000	1	Power Cord

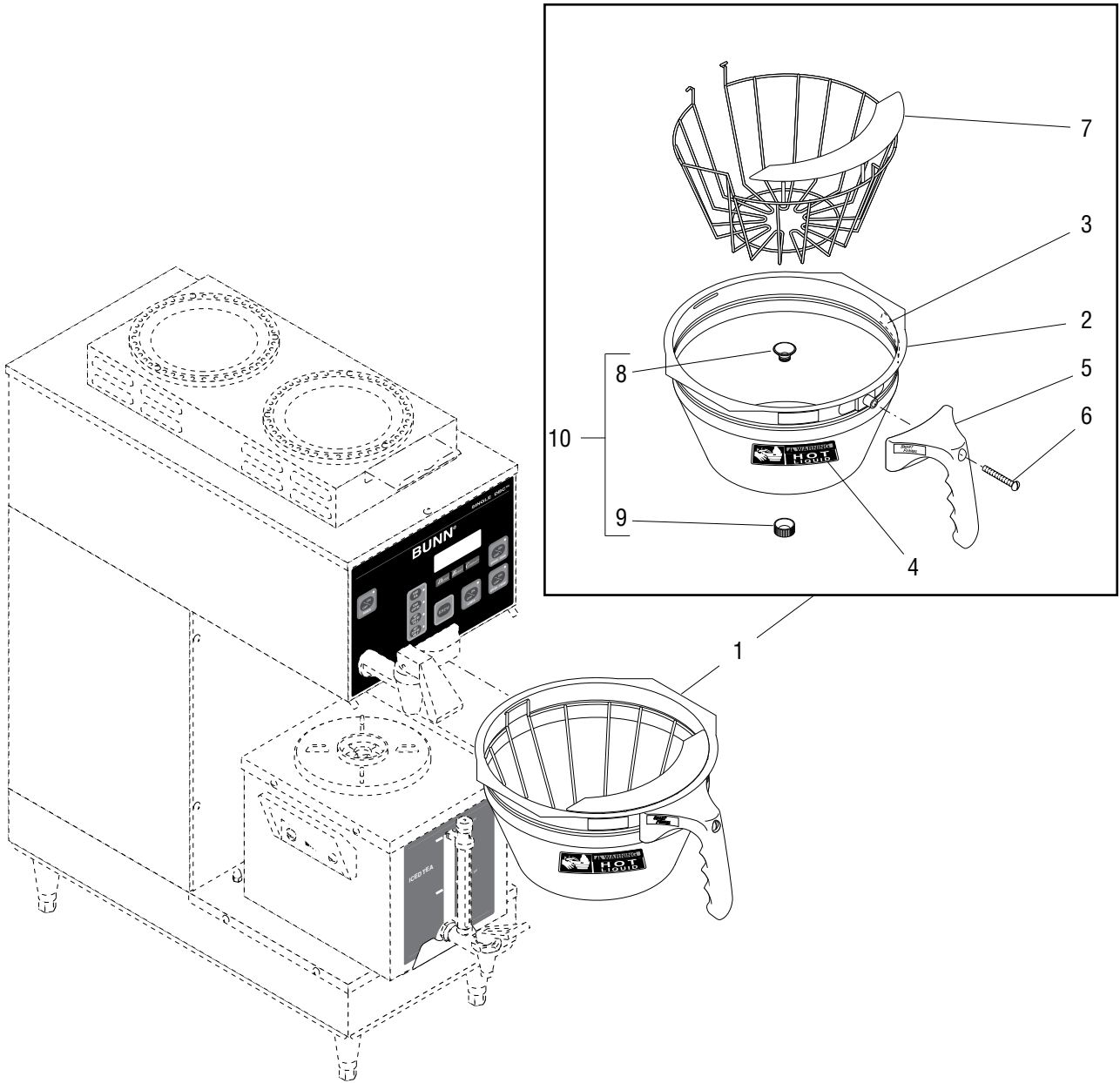
* Indicates the part number listed is for reference only. See DESCRIPTION for possible service replacement.



WARMER ASSEMBLIES

ITEM	PART NO.	QTY.	DESCRIPTION
1	11440.0011	2	Warmer Assy, Upper 100W, 200V (Includes Items 2 thru 4)
	11440.0009	2	Warmer Assy, Upper 100W, 220V (Includes Items 2 thru 4)
	01303.0000	6	Screw, Pan Head #4-40 x .50"
	00916.0000	6	Fastener, J-type #4-40
2	03656.0000	2	Warmer Dish, Black 45 Hole
3	01951.0001	2	Warmer Element 100W, 200V
	01951.0000	1	Warmer Element 100W, 220V
4	05212.0000	2	Plate, Element Retaining
	00970.0000	4	Nut, Keps #8-32
5	23709.0001*	1	Warmer Assy, Lower 100W, 200V (Includes Items 6 thru 9)
	23709.0002*	1	Warmer Assy, Lower 100W, 220V (Includes Items 6 thru 9)
	01303.0000	3	Screw, Pan Head #4-40 x .50"
	00916.0000	3	Fastener, J-type #4-40
6	23708.0000	1	Warmer Dish, Black 3 Hole
7	13042.0001	1	Spacer
8	01951.0001	1	Warmer Element 100W, 200V
	01951.0000	1	Warmer Element 100W, 220V
9	05212.0000	1	Plate, Element Retaining
	00970.0000	2	Nut, Keps #8-32
10	04828.0001	6	Tube Silicone .25" Dia. 1.88" (Order item 11)
11	04828.1001	-	Tube Silicone .25" Dia. 24.0" (Use as required)

* Indicates the part number listed is for reference only. See DESCRIPTION for possible service replacement.



FUNNEL

ITEM	PART NO.	QTY.	DESCRIPTION
1	32643.0003	1	Funnel Assy, SST Kelly Green Handle (Includes Items 2 thru 9)
	32643.0001	1	Funnel Assy, SST Black Handle (Includes Items 2 thru 9)
2	24462.0003	1	Funnel W/Decals (Includes items 3 & 4)
3	03408.0005	1	Decal, Caution-Remove Funnel
4	03409.0005	1	Decal, Caution-Hot Liquid
5	20201.1107	1	Handle, Funnel-Kelly Green (Includes item 6)
	20201.1105	1	Handle, Funnel-Black (Includes item 6)
6	12499.0000	1	Screw, Round Head .25" - 20 x 1.50"
7	35306.0000	1	Filter Basket W/Splash Guard (Use with Funnel Assy 32643.0003)
	33089.0000	1	Filter Basket W/Splash Guard (Use with Funnel Assy 32643.0001)
8	32139.0000	1	Insert, Funnel Tip - Male (Refer to item 10)
9	32140.0000	1	Insert, Funnel Tip - Female (Refer to item 10)
10	01031.0001	-	Funnel Tip Kit (Includes items 8 & 9)

* Indicates the part number listed is for reference only. See DESCRIPTION for possible service replacement.

NUMERICAL INDEX

PART NO.	PAGE NO.	PART NO.	PAGE NO.	PART NO.	PAGE NO.	PART NO.	PAGE NO.
00310.0002.....	13	02536.0000.....	9	20541.0001.....	9	29494.0000.....	21
00400.0001.....	13,15	02594.0000.....	19	20621.0000.....	21	29495.0000.....	23
00425.1000.....	15	02595.0000.....	19	20936.1000.....	9	29499.1001.....	21
00432.0001.....	15	02766.0000.....	19	20976.0076.....	19	29503.0000.....	21
00436.0001.....	13	02854.0000.....	19	20976.1000.....	19	29503.0001.....	21
00459.0000.....	13	02858.0000.....	19	20976.1001.....	19	29504.0000.....	21
00463.0000.....	13	02861.0003.....	19	20976.1002.....	19	29504.0001.....	21
00619.0008.....	5	03011.0000.....	5	21104.0003.....	7	29903.0001.....	5
00656.0000.....	5	03236.0026.....	9	21104.0005.....	5	29969.1017.....	21
00658.0000.....	5	03236.1001.....	9	21180.0000.....	13,15	29970.0000.....	21
00824.0000.....	5	03236.1002.....	9	21511.0004.....	7	32018.0000.....	21
00831.0000.....	5	03236.1003.....	9	21801.0002.....	9	32139.0000.....	27
00908.0000.....	9,11,13	03354.0000.....	5	21812.0007.....	13	32140.0000.....	27
00916.0000.....	5,25	03408.0005.....	27	22249.0000.....	13	32572.1000.....	21
00935.0000.....	13	03409.0005.....	27	22300.0500.....	13	32572.1001.....	21
00942.0000.....	9	03633.0000.....	9	22305.0003.....	17	32573.0000.....	21
00943.0000.....	9	03656.0000.....	25	22728.0000.....	9	32591.0011.....	13
00946.0000.....	9	03803.0001.....	9	22960.0002.....	11	32591.1002.....	13
00970.0000.....	21,25	03807.0000.....	9	22976.0002.....	11	32643.0001.....	27
00971.0000.....	9,11	03851.0000.....	23	22978.0000.....	11	32643.0003.....	27
00973.0000.....	21	03993.0000.....	7	22979.0002.....	5	32647.0002.....	23
00985.0000.....	5	04828.0001.....	25	22979.0003.....	5	32647.0006.....	23
00991.0000.....	21	04828.1001.....	25	22981.0002.....	5	32648.0000.....	15
01031.0001.....	27	05212.0000.....	25	22987.0002.....	5	32832.0000.....	23
01075.0000.....	17	05515.0000.....	13	22992.0003.....	13	33089.0000.....	27
01082.0003.....	17	11440.0009.....	25	23004.0000.....	21	33149.0001.....	15
01106.0003.....	21	11440.0011.....	25	23193.0002.....	11	33613.0000.....	21
01111.0000.....	13,15	11517.0008.....	17	23254.0000.....	17	34707.0000.....	23
01154.0000.....	13	11630.0001.....	13	23255.0000.....	17	34956.0000.....	17
01154.0001.....	15	11707.0015.....	15	23256.0000.....	17	35052.0000.....	17
01155.0000.....	13,15	11707.1000.....	15	23708.0000.....	25	35052.1000.....	17
01303.0000.....	25	11707.1001.....	15	23709.0001.....	25	35086.0000.....	13
01309.0000.....	21	11707.1002.....	15	23709.0002.....	25	35306.0000.....	27
01311.0000.....	5	12364.0000.....	5,7	23717.0003.....	9	36404.0000.....	5
01317.0000.....	21	12422.0000.....	9	23721.0000.....	13	36885.0000.....	21
01327.0000.....	13,15	12422.0001.....	15,19	24204.0001.....	23	37283.0000.....	13
01347.0000.....	21	12422.0008.....	17	24462.0003.....	27	37753.0000.....	13
01382.0003.....	5,7	12422.0009.....	13	25151.0000.....	5	37766.0000.....	7
01382.0007.....	9,21	12499.0000.....	27	25312.0009.....	5	37881.0000.....	5
01501.0000.....	9	12565.0015.....	9	26247.0001.....	21	38358.1005.....	21
01502.0000.....	13,15	12565.0019.....	9	26622.0001.....	9	M2517.0000.....	19
01520.0000.....	9	12570.0000.....	21	26846.0001.....	17	M2522.1000.....	9
01532.0000.....	13	13042.0001.....	25	26846.0002.....	17		
01533.0006.....	21	13054.0000.....	19	27473.0000.....	9		
01544.0000.....	19	13255.0006.....	7	28382.0000.....	5		
01590.0000.....	21	20201.0750.....	9	28592.0003.....	5		
01592.0001.....	5,13	20201.1105.....	27	28897.0000.....	21		
01951.0000.....	25	20201.1107.....	27	28909.0000.....	11		
01951.0001.....	25	20201.4301.....	15	29075.0000.....	19		
01975.0000.....	13,15	20201.5600.....	5	29264.0000.....	19		
02308.0000... 5,7,11,13,15,21		20201.6350.....	9	29327.0000.....	21		
02324.0000.....	5	20203.0100.....	9	29421.0000.....	13		
02328.0003.....	9	20526.1195.....	15	29446.0002.....	21		
02336.0000.....	5	20526.1500.....	13	29446.0003.....	21		
02434.0010.....	9	20527.0001.....	15	29492.0000.....	23		
02434.1000.....	9	20528.1195.....	15	29493.0000.....	21		