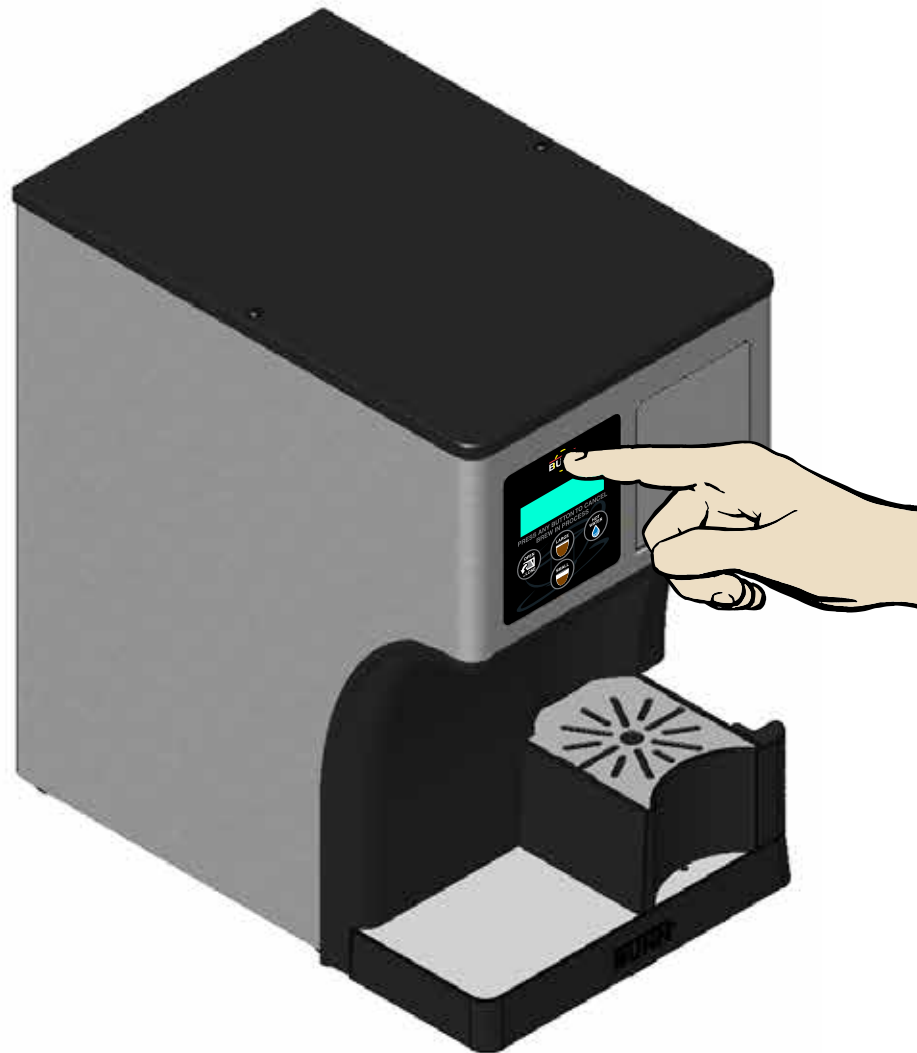


**BUNN**®

**AutoPOD**™  
BREWER



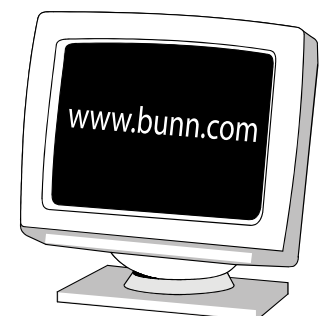
## PROGRAMMING MANUAL

**BUNN-O-MATIC CORPORATION**

POST OFFICE BOX 3227

SPRINGFIELD, ILLINOIS 62708-3227

PHONE: (217) 529-6601 FAX: (217) 529-6644



## **BUNN-O-MATIC COMMERCIAL PRODUCT WARRANTY**

Bunn-O-Matic Corp. ("BUNN") warrants equipment manufactured by it as follows:

- 1) Airpots, thermal carafes, decanters, GPR servers, iced tea/coffee dispensers, MCP/MCA pod brewers thermal servers and ThermoFresh servers (mechanical and digital)- 1 year parts and 1 year labor.
- 2) All other equipment - 2 years parts and 1 year labor plus added warranties as specified below:
  - a) Electronic circuit and/or control boards - parts and labor for 3 years.
  - b) Compressors on refrigeration equipment - 5 years parts and 1 year labor.
  - c) Grinding burrs on coffee grinding equipment to grind coffee to meet original factory screen sieve analysis - parts and labor for 4 years or 40,000 pounds of coffee, whichever comes first.

These warranty periods run from the date of installation BUNN warrants that the equipment manufactured by it will be commercially free of defects in material and workmanship existing at the time of manufacture and appearing within the applicable warranty period. This warranty does not apply to any equipment, component or part that was not manufactured by BUNN or that, in BUNN's judgment, has been affected by misuse, neglect, alteration, improper installation or operation, improper maintenance or repair, non periodic cleaning and descaling, equipment failures related to poor water quality, damage or casualty. In addition, the warranty does not apply to replacement of items subject to normal use including but not limited to user replaceable parts such as seals and gaskets. This warranty is conditioned on the Buyer 1) giving BUNN prompt notice of any claim to be made under this warranty by telephone at (217) 529-6601 or by writing to Post Office Box 3227, Springfield, Illinois 62708-3227; 2) if requested by BUNN, shipping the defective equipment prepaid to an authorized BUNN service location; and 3) receiving prior authorization from BUNN that the defective equipment is under warranty.

**THE FOREGOING WARRANTY IS EXCLUSIVE AND IS IN LIEU OF ANY OTHER WARRANTY, WRITTEN OR ORAL, EXPRESS OR IMPLIED, INCLUDING, BUT NOT LIMITED TO, ANY IMPLIED WARRANTY OF EITHER MERCHANTABILITY OR FITNESS FOR A PARTICULAR PURPOSE.** The agents, dealers or employees of BUNN are not authorized to make modifications to this warranty or to make additional warranties that are binding on BUNN. Accordingly, statements by such individuals, whether oral or written, do not constitute warranties and should not be relied upon.

If BUNN determines in its sole discretion that the equipment does not conform to the warranty, BUNN, at its exclusive option while the equipment is under warranty, shall either 1) provide at no charge replacement parts and/or labor (during the applicable parts and labor warranty periods specified above) to repair the defective components, provided that this repair is done by a BUNN Authorized Service Representative; or 2) shall replace the equipment or refund the purchase price for the equipment.

**THE BUYER'S REMEDY AGAINST BUNN FOR THE BREACH OF ANY OBLIGATION ARISING OUT OF THE SALE OF THIS EQUIPMENT, WHETHER DERIVED FROM WARRANTY OR OTHERWISE, SHALL BE LIMITED, AT BUNN'S SOLE OPTION AS SPECIFIED HEREIN, TO REPAIR, REPLACEMENT OR REFUND.**

In no event shall BUNN be liable for any other damage or loss, including, but not limited to, lost profits, lost sales, loss of use of equipment, claims of Buyer's customers, cost of capital, cost of down time, cost of substitute equipment, facilities or services, or any other special, incidental or consequential damages.

392, AutoPOD, AXIOM, BrewLOGIC, BrewMETER, Brew Better Not Bitter, BrewWISE, BrewWIZARD, BUNN Espresso, BUNN Family Gourmet, BUNN Gourmet, BUNN Pour-O-Matic, BUNN, BUNN with the stylized red line, BUNNlink, Bunn-OMatic, Bunn-O-Matic, BUNNserve, BUNNSERVE with the stylized wrench design, Cool Froth, DBC, Dr. Brew stylized Dr. design, Dual, Easy Pour, EasyClear, EasyGard, FlavorGard, Gourmet Ice, Gourmet Juice, High Intensity, iMIX, Infusion Series, Intellisteam, My Café, Phase Brew, PowerLogic, Quality Beverage Equipment Worldwide, Respect Earth, Respect Earth with the stylized leaf and coffee cherry design, Safety-Fresh, savemycoffee.com, Scale-Pro, Silver Series, Single, Smart Funnel, Smart Hopper, SmartWAVE, Soft Heat, SplashGard, The Mark of Quality in Beverage Equipment Worldwide, ThermoFresh, Titan, trifecta, Velocity Brew, A Partner You Can Count On, Air Brew, Air Infusion, Beverage Bar Creator, Beverage Profit Calculator, Brew better, not bitter., BUNNSource, Coffee At Its Best, Cyclonic Heating System, Daypart, Digital Brewer Control, Nothing Brews Like a BUNN, Pouring Profits, Signature Series, Tea At Its Best, The Horizontal Red Line, Ultra are either trademarks or registered trademarks of Bunn-O-Matic Corporation.

**CONTENTS**

LOCKOUT SWITCH .....4  
PROGRAMMING SWITCHES.....5  
PROGRAMMING .....6

## ADJUSTMENTS & PROGRAMMING

### PROGRAMMING THE BREWER

The programming of the brewer is divided into two levels. Brewing adjustments are in Level 1. Service functions are accessed in Level 2.

The following function screens are in order of appearance. Each screen will have instructions on how to access, and the procedures to program the various functions of the brewer.

### IMPORTANT PROGRAMMING NOTES

#### - READ CAREFULLY -

To exit the programming mode at any time, press and hold "Hidden" switch located on the front panel. The display will return to the MAIN SCREEN.

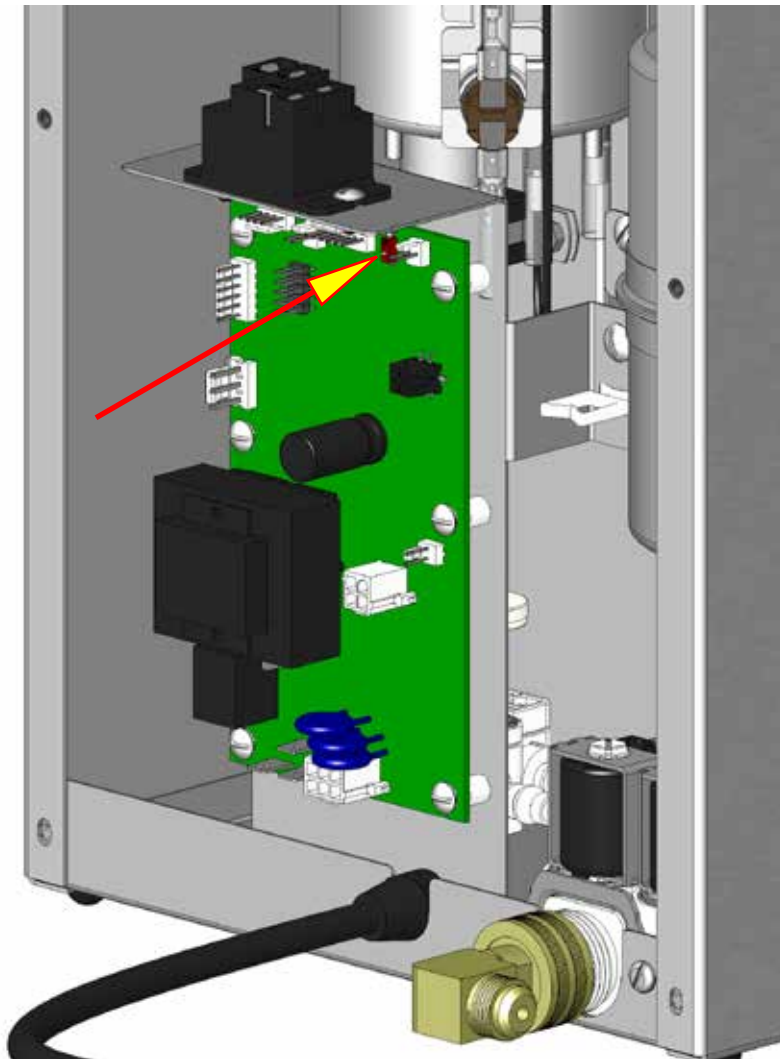
If none of the programming switches are pressed within one minute during programming, the display will return to the MAIN SCREEN.

Always remember to place an empty cup under the sprayhead when operating the brewer during the set-up of PULSE BREW, CALIBRATE FLOW and testing the brew valve in SERVICE TOOLS/TEST OUTPUTS.

### PROGRAMMING LOCKOUT SWITCH

#### (Mounted on main control board)

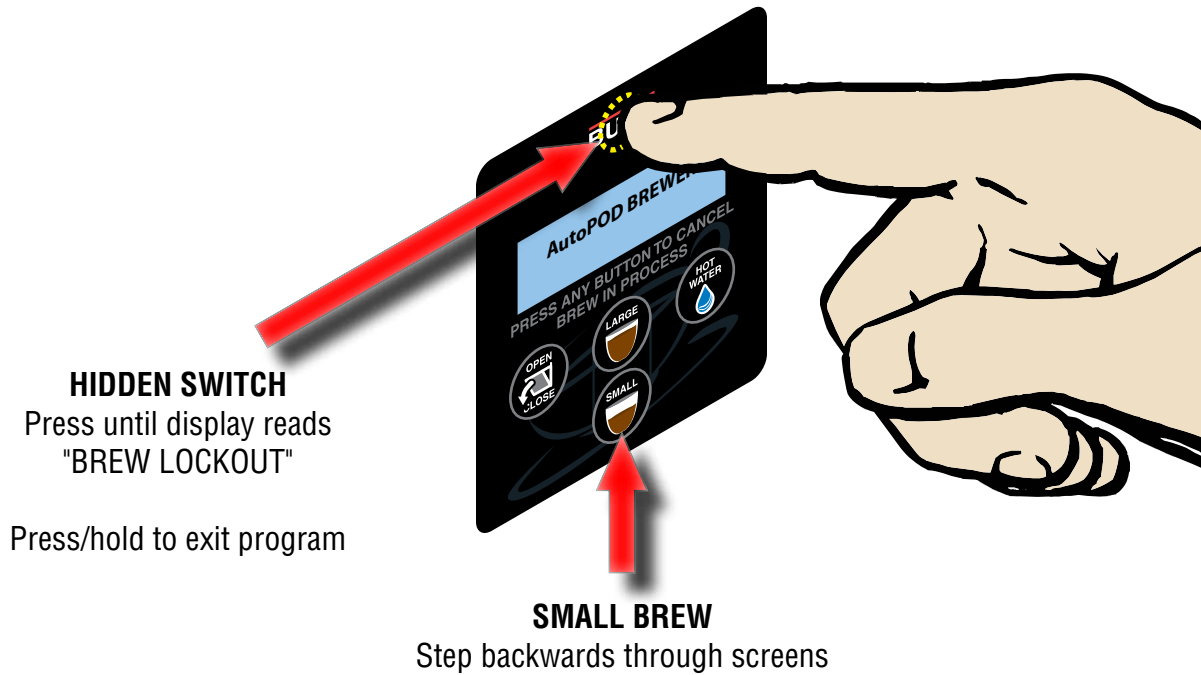
This switch can be set to prevent access to the programming settings of the brewer. Once all the correct brew settings are programmed, the operator can set the switch to the "ON" position to prohibit anyone from changing the settings. With the switch in the "ON" position, the programming menus can still be accessed to view the current settings. However, no changes will be saved.



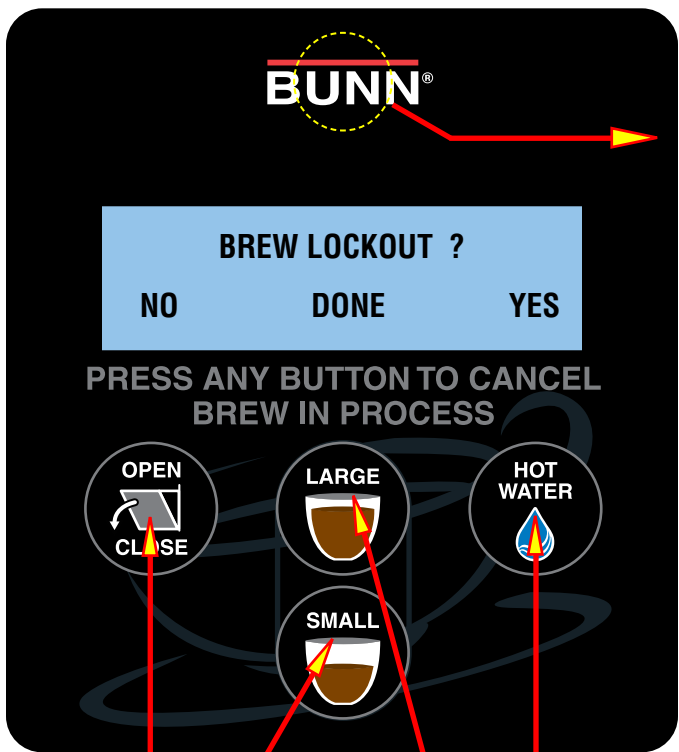
**Disconnect brewer from power source before removing any panel!**

# PROGRAM FUNCTIONS

## MAIN SCREEN



## BREW LOCKOUT:



## NEXT

Prevents brewing if the water temperature is less than the "SET READY" temperature. To access this function screen press and hold the hidden switch. Release when the display reads: "BREW LOCKOUT".

The YES or NO should be flashing. Select YES to prevent brewing if the water temperature is below the set READY temperature. Select NO to permit brewing at any water temperature.

When finished, press and release DONE. This will step to the next function screen. To return to the MAIN SCREEN at any time, press and hold the hidden switch.

## PROGRAM FUNCTIONS

**BREW TYPE A**  
TEA DONE COFFEE

### **BREW TYPE (A/B)** (Tea/Coffee)

Tea setting provides half the "purge" pressure as coffee at the end of brew cycle.

**BREW OZ A: 8.0**  
(-) DONE (+)

### **BREW OZ. (A/B)** (1-16)

Adjust brew volume.

**BREW METER A: 2**  
- ■ ■ +

### **BREW METER (A/B)** (1-5)

Simplified pulse brew adjustment. 1=Preinfusion. 2-5=pulse brew, 2 being the shortest pulse brew cycle, 5 the longest pulse brew cycle.

**ENTER SERVICE #?**  
NO YES

### **ENTER SERVICE #**

Program service phone number to be displayed anytime there is a fault message.

**ENTER PASSWORD**  
0 0 0

### **ENTER PASSWORD**

User must enter a 3 digit number to access remainder of adjustments. If no number has been pre-programmed (0 0 0), then access is allowed.

**SET PASSWORD**  
0 0 0

### **SET PASSWORD** (001-999)

Program any three digit number as a password.

**SET LANGUAGE ?**  
NO YES

### **SET LANGUAGE**

Choose between English or Spanish.

**UNITS**  
METRIC DONE ENG

### **UNITS**

Choose between English (Oz, F°) or metric (ML, C°)

**SET TEMP: 200°**  
(-) DONE (+)

### **SET TEMP**

Adjust tank temperature 185 to 205° F (85 to 96° C)

**SET READY: 195°**  
(-) DONE (+)

### **SET READY**

Sets the minimum temperature allowable to start a brew cycle, if "BrewLockout" is enabled. Range: (2° to 20° F) or (2° to 10° C) below the set temperature.

**ENTER ASSET # ?**  
NO YES

### **ENTER ASSET #**

This function allows the you to enter in an optional 4 digit number. This can be useful for tracking the usage of an individual machine within a group.

**SetPulseBrew A/B ?**  
NO DONE YES

### **SET PULSE BREW (A/B)**

Individually adjust on/off times. 1st on time: OFF-.5-24.0; OFF time: OFF-.5-24.0; Last on time: Preinfusion-.5-24.0 **This will overwrite "BREW METER"**

**AIR TIME A/B: 15.0**  
(-) DONE (+)

### **AIR TIME (A/B)** (1-25 seconds)

Time the brew tank is purged at the end of each brew cycle.

CONTINUED

## PROGRAM FUNCTIONS

**DRIP TIME A/B: 15**  
 (-) DONE (+)

**DRIP TIME (A/B)** (OFF/1-50 seconds)  
 Time between brew cycle and pod ejection.

**BREWS TO EMPTY**  
 (-) 25 (+)

**BREWS TO EMPTY** (OFF/15-25)  
 Set number of used pods in bin to turn on "EMPTY BIN" message.

**Enabl EnergySavr**  
 NO DONE YES

**ENABLE ENERGY SAVER**  
 Choose to have the tank heaters turn off, or reduce the tank temp to (140° F) or (60° C) once the "SET IDLE TIME" has expired. .5-50.0 hrs.

**AIR PUMP POWER 4**  
 (-) DONE (+)

**AIR PUMP POWER** (1 Weakest - 4 Strongest )  
 Adjust air pressure for end of brew cycle purge. Due to pod variations, reduce as needed if splattering occurs.

**BREW COUNT ##**  
 NO YES

**BREW COUNTS**  
 Retains the total number of brew cycles completed, not reset-able.

**BREW COUNT ##**  
 RESET NEXT

**BREW COUNTS**  
 Retains the total number of brew cycles completed, reset-able.

**CALIBRATE FLOW ?**  
 NO YES

**CALIBRATE FLOW**  
 This function allows you to enter the actual flow rate of the sprayhead by dispensing for one minute. The volume is then entered in ounces per minute. (Oz/M)

**PRESS**  
**BREW TO START**

Place a 10 ounce or larger measuring cup under sprayhead and press one of the brew switches.

**ENTER OZ 10.0**  
 (-) DONE (+)

After dispense finishes, read number of ounces and enter that amount into brewer using the +/- switches, then press "DONE" to set the volume into memory.

**SERVICE TOOLS ?**  
 NO YES

**SERVICE TOOLS** allows testing of load components and switches.  
**It should only be used by trained technicians.**

**TEST OUTPUTS ?**  
 NO YES

**TEST OUTPUTS** allows testing of load components by manually turning them ON/OFF. **---PLACE A 10 OUNCE CUP UNDER DISPENSE AREA---**  
**WARNING: HOT WATER WILL DISPENSE DURING SOME TEST MODES!**

**INDEX B □ MOTOR**  
**DUMP NEXT LOAD**

**INDEX MOTOR DUMP** runs the pod holder back to the pod ejection position. **LOAD** moves it out to the door open position. "B □" indicates the assembly is in home position.

**EXTERNAL RELAY**  
 ON NEXT OFF

**EXTERNAL RELAY** Main control board outputs 12vdc to activate external relay. The N.O. contact then closes to provide line voltage to the heater in **HOT WATER TANK**.

**CONTINUED**

WaterInlet #  
ON NEXT OFF

**WATER INLET**  
Activates the water inlet valve for the brew tank, and flow meter count.

AIR PUMP  
ON NEXT OFF

**AIR PUMP**  
Activates the air pump motor for the brew tank.

HOT WATER  
ON NEXT OFF

**HOT WATER**  
Activates the water inlet solenoid for the hot water tank.

VENT VALVE  
ON NEXT OFF

**VENT VALVE**  
Activates the vent solenoid for the hot water tank.

WATER PUMP  
ON NEXT OFF

**WATER PUMP**  
N/A

HotWaterAir PUMP  
ON NEXT OFF

**HOT WATER AIR PUMP**  
Activates the air pump motor for the hot water tank.

TANK HEATER  
ON NEXT OFF

**TANK HEATER**  
Activates the triac/relay on the main control board for the brew tank heater.

TEST SWITCHES ?  
NO YES

**TEST SWITCHES** allows testing of the membrane switches.

PROGRAM SWITCH  
TO EXIT

**Press the hidden program switch** to go back to previous screen. Pressing any other membrane switch will give corresponding readout for that switch.

FACTORY BLOWOUT  
NO YES

**FACTORY BLOWOUT**  
Used for tank draining.

FACTORY DEFAULTS  
NO YES

**FACTORY DEFAULTS**  
Reset all brew settings, calibrations back to factory presets. Requires following "INITIAL SETUP" procedure.

AutoPOD BREWER  
VERSION xx.xx

**EXIT PROGRAM MODE TO MAIN SCREEN**  
Model:  
Software version:



