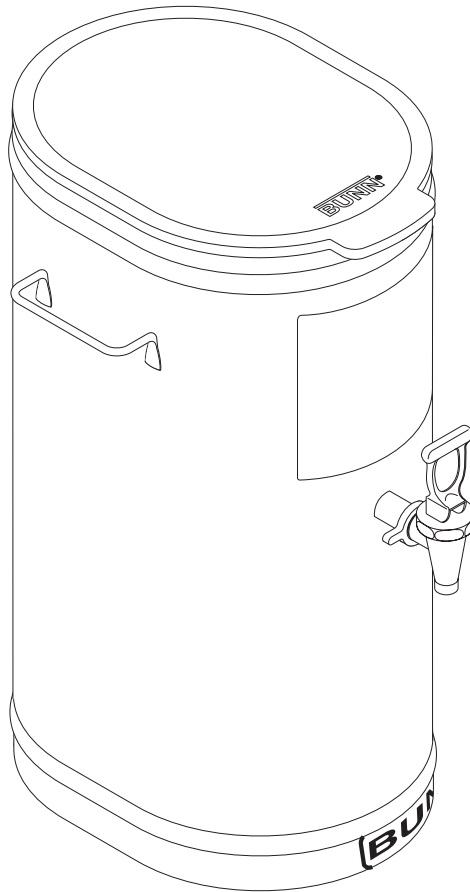


BUNN[®]

TCD



USE & CARE INFORMATION

NOTE: LIFT THE DISPENSER USING THE HANDLES ONLY. DO NOT LIFT THE DISPENSER FROM THE BOTTOM.

BUNN-O-MATIC CORPORATION

POST OFFICE BOX 3227

SPRINGFIELD, ILLINOIS 62708-3227

PHONE: (217) 529-6601 FAX: (217) 529-6644

BUNN-O-MATIC COMMERCIAL PRODUCT WARRANTY

Bunn-O-Matic Corp. ("BUNN") warrants equipment manufactured by it as follows:

- 1) All equipment other than as specified below: 2 years parts and 1 year labor.
- 2) Electronic circuit and/or control boards: parts and labor for 3 years.
- 3) Compressors on refrigeration equipment: 5 years parts and 1 year labor.
- 4) Grinding burrs on coffee grinding equipment to grind coffee to meet original factory screen sieve analysis: parts and labor for 3 years or 30,000 pounds of coffee, whichever comes first.

These warranty periods run from the date of installation. BUNN warrants that the equipment manufactured by it will be commercially free of defects in material and workmanship existing at the time of manufacture and appearing within the applicable warranty period. This warranty does not apply to any equipment, component or part that was not manufactured by BUNN or that, in BUNN's judgment, has been affected by misuse, neglect, alteration, improper installation or operation, improper maintenance or repair, damage or casualty. This warranty is conditioned on the Buyer 1) giving BUNN prompt notice of any claim to be made under this warranty by telephone at (217) 529-6601 or by writing to Post Office Box 3227, Springfield, Illinois 62708-3227; 2) if requested by BUNN, shipping the defective equipment prepaid to an authorized BUNN service location; and 3) receiving prior authorization from BUNN that the defective equipment is under warranty.

THE FOREGOING WARRANTY IS EXCLUSIVE AND IS IN LIEU OF ANY OTHER WARRANTY, WRITTEN OR ORAL, EXPRESS OR IMPLIED, INCLUDING, BUT NOT LIMITED TO, ANY IMPLIED WARRANTY OF EITHER MERCHANTABILITY OR FITNESS FOR A PARTICULAR PURPOSE. The agents, dealers or employees of BUNN are not authorized to make modifications to this warranty or to make additional warranties that are binding on BUNN. Accordingly, statements by such individuals, whether oral or written, do not constitute warranties and should not be relied upon.

If BUNN determines in its sole discretion that the equipment does not conform to the warranty, BUNN, at its exclusive option while the equipment is under warranty, shall either 1) provide at no charge replacement parts and/or labor (during the applicable parts and labor warranty periods specified above) to repair the defective components, provided that this repair is done by a BUNN Authorized Service Representative; or 2) shall replace the equipment or refund the purchase price for the equipment.

THE BUYER'S REMEDY AGAINST BUNN FOR THE BREACH OF ANY OBLIGATION ARISING OUT OF THE SALE OF THIS EQUIPMENT, WHETHER DERIVED FROM WARRANTY OR OTHERWISE, SHALL BE LIMITED, AT BUNN'S SOLE OPTION AS SPECIFIED HEREIN, TO REPAIR, REPLACEMENT OR REFUND.

In no event shall BUNN be liable for any other damage or loss, including, but not limited to, lost profits, lost sales, loss of use of equipment, claims of Buyer's customers, cost of capital, cost of down time, cost of substitute equipment, facilities or services, or any other special, incidental or consequential damages.

INTRODUCTION

These dispensers are designed to mix liquid tea concentrate with water to produce iced tea by the glass or pitcher. The concentrate can be stored either inside the dispenser, or outside with a hose connection to the dispenser. The dispenser must be placed on a sturdy counter or shelf.

SET UP AND OPERATING PROCEDURES

1. Remove dispenser from the box and place on a sturdy, level counter.
2. Remove any packing and the brass cap from the end of the water inlet fitting located on the rear of the dispenser.
3. Turn the dispenser upside down, loosen the faucet wing nut, and rotate the faucet 180°. Tighten the faucet wing nut (Do not overtighten).
4. Attach the stainless, 1/4" "L" tube to the water inlet fitting, then attach the water strainer to the tube; tighten all flare nuts.
Note: The flow direction arrow on the strainer must point towards the dispenser.
5. Attach a 1/4" water line to the water strainer. This supply line must have at least 30 psi of pressure.
6. Using a screwdriver, turn the adjustment screw clockwise until the screw contacts the seat (DO NOT OVERTIGHTEN).
7. Open the water inlet valve and check for leaks in the system.
8. Place a container under the faucet; fully open the faucet for approximately 10 seconds, then close the faucet. Discard the water.
9. Place container back under the faucet; open the faucet fully. Adjust the pressure regulator by pulling out knob to unlock, then rotate the knob clockwise for more pressure or counterclockwise for less pressure. With the faucet open, pressure should be adjusted to 20 psi.
10. After the correct pressure is set, close the faucet and push the knob in to lock the pressure regulator.
11. Once the proper flow has been achieved, adjust the concentrate needle valve to provide the desired ratio of concentrate to water.
12. Connect the proper Bag in a Box adapter to the concentrate inlet tube and clamp. If bottle concentrate is used, connect the stainless formed tube to the inlet hose and clamp.
13. Attach the connector to the Bag in a Box/ or insert the bottle adapter into the bottle.
14. Place a container under the faucet and open faucet until the entire concentrate line is filled and tea is dispensed for approximately 5 seconds. Close the faucet.
15. Place a glass under the faucet and open to fill the glass. Adjust the screw to achieve the desired strength of tea. To increase the amount of concentrate (stronger tea), turn the adjustment screw counterclockwise slightly (1/16 to 1/8 of a turn at a time). To reduce the amount of concentrate (weaker tea) turn the adjustment screw clockwise slightly (1/16 to 1/8 of a turn at a time).
16. Dispense a couple of 8 ounce glasses of tea after each adjustment and taste. Continue this process until the taste profile is achieved.
NOTE: The ratio adjustment setting is very sensitive. Make very small adjustments with the screw, then taste the results. You should not have to turn the screw very much to change the ratio.
17. Once the desired ratio of concentrate to water has been set, turn off the incoming water supply and open faucet to relieve the pressure.
18. Turn the dispenser upright on the counter; loosen the faucet wing nut, rotate the handle 180° and tighten the wing nut securely.
19. Turn the water supply on. The dispenser is now ready for use.

Refer to **DISPENSER CLEANING AND SANITIZING** card supplied with your dispenser for recommended daily and weekly cleaning.